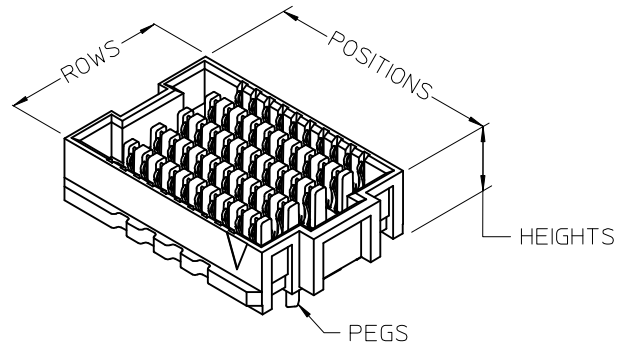
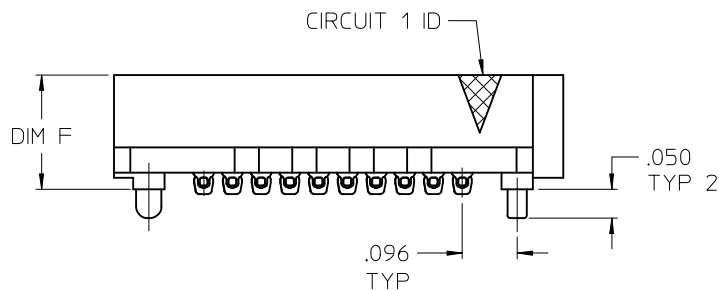
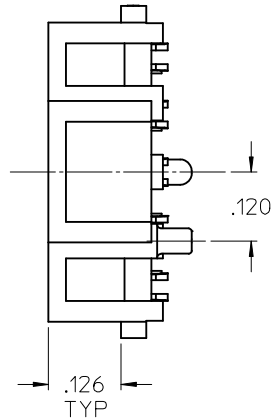
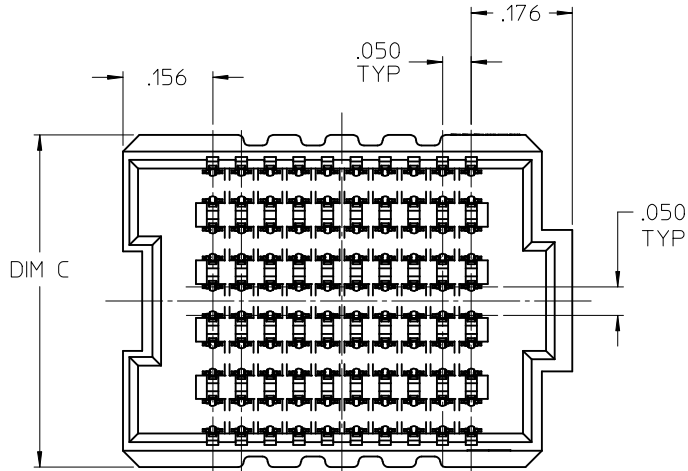


LEAD CODE:
1 = TIN
2 = TIN / LEAD

DATE CODE



HOUSING OPTIONS
SEE CHARTS

NOTES:

1. MATERIALS: HOUSING: LCP, UL94V-0, BLACK
CONTACTS: COPPER ALLOY
SOLDER CHARGE: SEE CHART
2. FINISH: SELECT GOLD IN CONTACT: 30 MI MIN
SELECT TIN IN TAIL: 100 MI MIN
BOTH OVER NICKEL
3. PRODUCT SPECIFICATION: PS-45970-001
4. PACKAGING SPECIFICATION: SEE CHART
5. MATES WITH SEARAY PLUG ASSEMBLY 45970
6. APPLICATION SPECIFICATION: AS-45970-001
7. COSMETIC SPECIFICATION: PS-45499-002 CLASS B

ADD TIN	DESCRIPTION
EC NO: UCP2009-0693	DRWN:KSAM/EC 2008/10/03
CH'KD: 2008/10/03	APPR: JCOMERC I 2008/10/06
L1	REV

GENERAL TOLERANCES (UNLESS SPECIFIED)	
	mm INCH
4 PLACES	± .005 ± .0005
3 PLACES	± .005 ± .0010
2 PLACES	± .005 ± .0015
1 PLACE	± .005 ± .0020
ANGULAR ± .005°	
DRAFT WHERE APPLICABLE MUST REMAIN WITHIN DIMENSIONS	

DIMENSION STYLE	
INCH ONLY	
DRAWN BY	DATE
TGREGOR I	2005/05/17
CHECKED BY	DATE
JCOMERC I	2005/05/17
APPROVED BY	DATE
JCOMERC I	2005/05/17
MATERIAL NO.	
SEE CHART	
SIZE	
A	

SCALE	DESIGN UNITS	THIRD ANGLE PROJECTION	
3:1	INCH		
TITLE			
SEARAY RECEPTACLE ASSEMBLY .050 CENTERS			
MOLEX INCORPORATED			
DOCUMENT NO.		SHEET NO.	
SD-45971-001		1 OF 18	

6 5 4 3 2 1

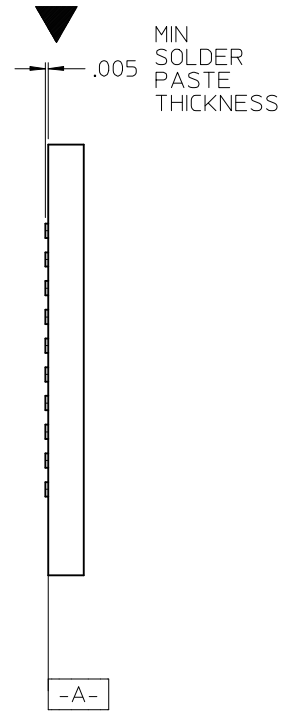
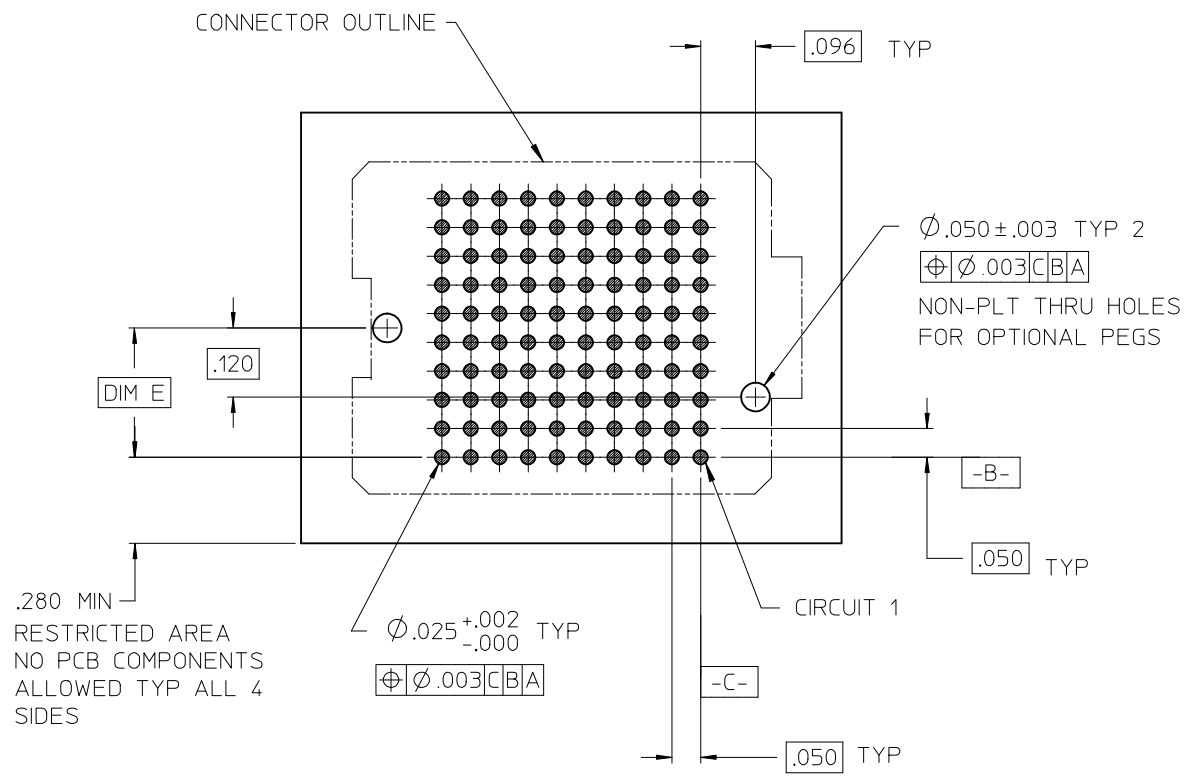
D

C

B

A

HOUSING ROWS	DIM E
06	.159
08	.209
10	.259
12	.309



.280 MIN
RESTRICTED AREA
NO PCB COMPONENTS
ALLOWED TYP ALL 4
SIDES

RECOMMENDED PCB LAYOUT: COMPONENT SIDE
PCB THICKNESS: N/A
SOLDER SCREEN APERTURE: .035

SEE SHEET 1	DESCRIPTION
EC NO: UCP2009-0693	
DRWN:KSAMIEC 2008/10/03	
CHKD: 2008/10/03	
APPR:JCOMERC I 2008/10/06	
L1	REV

GENERAL TOLERANCES (UNLESS SPECIFIED)	
	mm INCH
4 PLACES	\pm --- \pm ---
3 PLACES	\pm --- \pm .010
2 PLACES	\pm --- \pm .015
1 PLACE	\pm --- \pm ---
ANGULAR \pm ---°	
DRAFT WHERE APPLICABLE MUST REMAIN WITHIN DIMENSIONS	

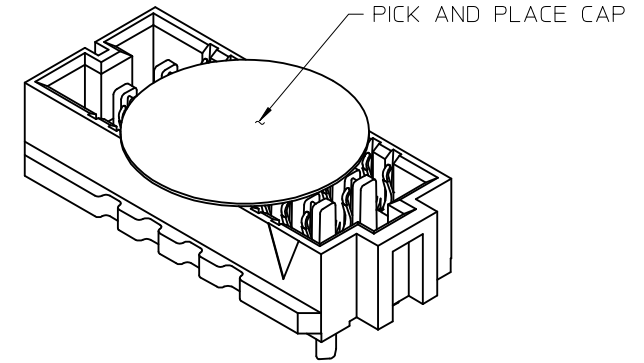
DIMENSION STYLE	
INCH ONLY	
DRAWN BY	DATE
TGREGOR I	2005/05/17
CHECKED BY	DATE
JCOMERC I	2005/05/17
APPROVED BY	DATE
JCOMERC I	2005/05/17
MATERIAL NO.	
SEE CHART	

SCALE	DESIGN UNITS	THIRD ANGLE PROJECTION
3:1	INCH	
TITLE		
SEARAY RECEPTACLE ASSEMBLY .050 CENTERS		
MOLEX INCORPORATED		
DOCUMENT NO.		SHEET NO.
SD-45971-001		2 OF 18

5 4 3 2 1

THIS DRAWING CONTAINS INFORMATION THAT IS PROPRIETARY TO MOLEX INCORPORATED AND SHOULD NOT BE USED WITHOUT WRITTEN PERMISSION

6		5		4		3		2		1		
MATED STACK HEIGHT (REF)		3.5 mm		4.5 mm		5.0 mm		6.0 mm		6.5 mm		
HEIGHTS		.199		.238		.258		.297		.317		
D	PARTS WITHOUT PEGS	POSITIONS	MATERIAL No	MATERIAL No	MATERIAL No	MATERIAL No	MATERIAL No	MATERIAL No	MATERIAL No	MATERIAL No	MATERIAL No	
		19	45971-0160	45971-0260	45971-0360	45971-0460	45971-0560					
		10	45971-1160	45971-1260	45971-1360	45971-1460	45971-1560					
		20	45971-2160	45971-2260	45971-2360	45971-2460	45971-2560					
		30	45971-3160	45971-3260	45971-3360	45971-3460	45971-3560					
		40	45971-4160	45971-4260	45971-4360	45971-4460	45971-4560					
		50	45971-5160	45971-5260	45971-5360	45971-5460	45971-5560					
		15	45971-6160	45971-6260	45971-6360	45971-6460	45971-6560					
		25	45971-7160	45971-7260	45971-7360	45971-7460	45971-7560					
		35	45971-8160	45971-8260	45971-8360	45971-8460	45971-8560					
45	45971-9160	45971-9260	45971-9360	45971-9460	45971-9560							
C	PARTS WITH PEGS	POSITIONS	MATERIAL No	MATERIAL No	MATERIAL No	MATERIAL No	MATERIAL No	MATERIAL No	MATERIAL No	MATERIAL No	MATERIAL No	
		19	45971-0161	45971-0261	45971-0361	45971-0461	45971-0561					
		10	45971-1161	45971-1261	45971-1361	45971-1461	45971-1561					
		20	45971-2161	45971-2261	45971-2361	45971-2461	45971-2561					
		30	45971-3161	45971-3261	45971-3361	45971-3461	45971-3561					
		40	45971-4161	45971-4261	45971-4361	45971-4461	45971-4561					
		50	45971-5161	45971-5261	45971-5361	45971-5461	45971-5561					
		15	45971-6161	45971-6261	45971-6361	45971-6461	45971-6561					
		25	45971-7161	45971-7261	45971-7361	45971-7461	45971-7561					
		35	45971-8161	45971-8261	45971-8361	45971-8461	45971-8561					
45	45971-9161	45971-9261	45971-9361	45971-9461	45971-9561							



THIS SHEET CONTAINS THE FOLLOWING OPTIONS:


HOUSING ROWS: 06 DIM C = .379
 SOLDER CHARGE: TIN
 PACKAGING: TRAY PACKED PER PK-45971-001
 PEGS: WITH AND WITHOUT PEGS

SEE SHEET 1 EC NO: UCP2009-0693 DRWN:KSAMIEC 2008/10/03 CHKD: 2008/10/03 APPR: JCOMERC I 2008/10/06 DESCRIPTION	GENERAL TOLERANCES (UNLESS SPECIFIED)		DIMENSION STYLE INCH ONLY		SCALE 2:1	DESIGN UNITS INCH	THIRD ANGLE PROJECTION	
		mm	INCH	DRAWN BY TGREGOR I	DATE 2005/05/17	TITLE SEARAY RECEPTACLE ASSEMBLY .050 CENTERS		
	4 PLACES	± ---	± ---	CHECKED BY JCOMERC I	DATE 2005/05/17			
	3 PLACES	± ---	± .010	APPROVED BY JCOMERC I	DATE 2005/05/17	MOLEX INCORPORATED		
	2 PLACES	± ---	± .015	MATERIAL NO.				
1 PLACE	± ---	± ---	DRAFT WHERE APPLICABLE MUST REMAIN WITHIN DIMENSIONS		THIS DRAWING CONTAINS INFORMATION THAT IS PROPRIETARY TO MOLEX INCORPORATED AND SHOULD NOT BE USED WITHOUT WRITTEN PERMISSION			

6		5		4		3		2		1	
MATED STACK HEIGHT (REF)		3.5 mm	4.5 mm	5.0 mm	6.0 mm	6.5 mm					
HEIGHTS		.199	.238	.258	.297	.317					
D	PARTS WITHOUT PEGS	POSITIONS	MATERIAL No	MATERIAL No	MATERIAL No	MATERIAL No	MATERIAL No				
		19	45971-0162	45971-0262	45971-0362	45971-0462	45971-0562				
		10	45971-1162	45971-1262	45971-1362	45971-1462	45971-1562				
		20	45971-2162	45971-2262	45971-2362	45971-2462	45971-2562				
		30	45971-3162	45971-3262	45971-3362	45971-3462	45971-3562				
		40	45971-4162	45971-4262	45971-4362	45971-4462	45971-4562				
		50	45971-5162	45971-5262	45971-5362	45971-5462	45971-5562				
		15	45971-6162	45971-6262	45971-6362	45971-6462	45971-6562				
		25	45971-7162	45971-7262	45971-7362	45971-7462	45971-7562				
		35	45971-8162	45971-8262	45971-8362	45971-8462	45971-8562				
C	PARTS WITH PEGS	POSITIONS	MATERIAL No	MATERIAL No	MATERIAL No	MATERIAL No	MATERIAL No				
		19	45971-0163	45971-0263	45971-0363	45971-0463	45971-0563				
		10	45971-1163	45971-1263	45971-1363	45971-1463	45971-1563				
		20	45971-2163	45971-2263	45971-2363	45971-2463	45971-2563				
		30	45971-3163	45971-3263	45971-3363	45971-3463	45971-3563				
		40	45971-4163	45971-4263	45971-4363	45971-4463	45971-4563				
		50	45971-5163	45971-5263	45971-5363	45971-5463	45971-5563				
		15	45971-6163	45971-6263	45971-6363	45971-6463	45971-6563				
		25	45971-7163	45971-7263	45971-7363	45971-7463	45971-7563				
		35	45971-8163	45971-8263	45971-8363	45971-8463	45971-8563				
B	PARTS WITH PEGS	POSITIONS	MATERIAL No	MATERIAL No	MATERIAL No	MATERIAL No	MATERIAL No				
		19	45971-0163	45971-0263	45971-0363	45971-0463	45971-0563				
		10	45971-1163	45971-1263	45971-1363	45971-1463	45971-1563				
		20	45971-2163	45971-2263	45971-2363	45971-2463	45971-2563				
		30	45971-3163	45971-3263	45971-3363	45971-3463	45971-3563				
		40	45971-4163	45971-4263	45971-4363	45971-4463	45971-4563				
		50	45971-5163	45971-5263	45971-5363	45971-5463	45971-5563				
		15	45971-6163	45971-6263	45971-6363	45971-6463	45971-6563				
		25	45971-7163	45971-7263	45971-7363	45971-7463	45971-7563				
		35	45971-8163	45971-8263	45971-8363	45971-8463	45971-8563				

THIS SHEET CONTAINS THE FOLLOWING OPTIONS:

HOUSING ROWS: 06 DIM C = .379
 SOLDER CHARGE: TIN / LEAD
 PACKAGING: TRAY PACKED PER PK-45971-001
 PEGS: WITH AND WITHOUT PEGS

A	SEE SHEET 1 EC NO: UCP2009-0693 DRWN:KSAMIEC 2008/10/03 CHKD: 2008/10/03 APPR:JCOMERC 2008/10/06 DESCRIPTION REV	GENERAL TOLERANCES (UNLESS SPECIFIED)		DIMENSION STYLE INCH ONLY		SCALE 2:1	DESIGN UNITS INCH	THIRD ANGLE PROJECTION		
			mm	INCH	DRAWN BY TGREGORI	DATE 2005/05/17	TITLE SEARAY RECEPTACLE ASSEMBLY .050 CENTERS			
		4 PLACES	± ---	± ---	CHECKED BY JCOMERC I	DATE 2005/05/17				
		3 PLACES	± ---	± .010	APPROVED BY JCOMERC I	DATE 2005/05/17	 MOLEX INCORPORATED DOCUMENT NO. SD-45971-001 SHEET NO. 4 OF 18			
		2 PLACES	± ---	± .015	MATERIAL NO.					
1 PLACE	± ---	± ---	SEE CHART SIZE A THIS DRAWING CONTAINS INFORMATION THAT IS PROPRIETARY TO MOLEX INCORPORATED AND SHOULD NOT BE USED WITHOUT WRITTEN PERMISSION							

THIS DRAWING CONTAINS INFORMATION THAT IS PROPRIETARY TO MOLEX INCORPORATED AND SHOULD NOT BE USED WITHOUT WRITTEN PERMISSION

6		5		4		3		2		1		
MATED STACK HEIGHT (REF)		3.5 mm		4.5 mm		5.0 mm		6.0 mm		6.5 mm		
HEIGHTS		.199		.238		.258		.297		.317		
D	PARTS WITHOUT PEGS	POSITIONS	MATERIAL No	MATERIAL No	MATERIAL No	MATERIAL No	MATERIAL No	MATERIAL No	MATERIAL No	MATERIAL No	MATERIAL No	
		19	45971-0164	45971-0264	45971-0364	45971-0464	45971-0564					
		10	45971-1164	45971-1264	45971-1364	45971-1464	45971-1564					
		20	45971-2164	45971-2264	45971-2364	45971-2464	45971-2564					
		30	45971-3164	45971-3264	45971-3364	45971-3464	45971-3564					
		40	45971-4164	45971-4264	45971-4364	45971-4464	45971-4564					
		50	45971-5164	45971-5264	45971-5364	45971-5464	45971-5564					
		15	45971-6164	45971-6264	45971-6364	45971-6464	45971-6564					
		25	45971-7164	45971-7264	45971-7364	45971-7464	45971-7564					
		35	45971-8164	45971-8264	45971-8364	45971-8464	45971-8564					
45	45971-9164	45971-9264	45971-9364	45971-9464	45971-9564							
C	PARTS WITH PEGS	POSITIONS	MATERIAL No	MATERIAL No	MATERIAL No	MATERIAL No	MATERIAL No	MATERIAL No	MATERIAL No	MATERIAL No	MATERIAL No	
		19	45971-0165	45971-0265	45971-0365	45971-0465	45971-0565					
		10	45971-1165	45971-1265	45971-1365	45971-1465	45971-1565					
		20	45971-2165	45971-2265	45971-2365	45971-2465	45971-2565					
		30	45971-3165	45971-3265	45971-3365	45971-3465	45971-3565					
		40	45971-4165	45971-4265	45971-4365	45971-4465	45971-4565					
		50	45971-5165	45971-5265	45971-5365	45971-5465	45971-5565					
		15	45971-6165	45971-6265	45971-6365	45971-6465	45971-6565					
		25	45971-7165	45971-7265	45971-7365	45971-7465	45971-7565					
		35	45971-8165	45971-8265	45971-8365	45971-8465	45971-8565					
45	45971-9165	45971-9265	45971-9365	45971-9465	45971-9565							

THIS SHEET CONTAINS THE FOLLOWING OPTIONS:

HOUSING ROWS: 06 DIM C = .379
 SOLDER CHARGE: TIN
 PACKAGING: TAPE AND REEL PACKED PER PK-45971-002
 PEGS: WITH AND WITHOUT PEGS

SEE SHEET 1
 EC NO: UCP2009-0693
 DRWN:KSAMIEC 2008/10/03
 CHKD: 2008/10/03
 APPR:JCOMERC 2008/10/06
 DESCRIPTION
 REV

GENERAL TOLERANCES (UNLESS SPECIFIED)		
	mm	INCH
4 PLACES	± .005	± .0004
3 PLACES	± .005	± .010
2 PLACES	± .005	± .015
1 PLACE	± .005	± .020
ANGULAR ± .005°		
DRAFT WHERE APPLICABLE MUST REMAIN WITHIN DIMENSIONS		

DIMENSION STYLE	
INCH ONLY	
DRAWN BY	DATE
TGREGOR I	2005/05/17
CHECKED BY	DATE
JCOMERC I	2005/05/17
APPROVED BY	DATE
JCOMERC I	2005/05/17
MATERIAL NO.	
SEE CHART	

SCALE	DESIGN UNITS	THIRD ANGLE PROJECTION	
2:1	INCH		
TITLE			
SEARAY RECEPTACLE ASSEMBLY .050 CENTERS			
MOLEX INCORPORATED			
DOCUMENT NO.		SHEET NO.	
SD-45971-001		5 OF 18	
THIS DRAWING CONTAINS INFORMATION THAT IS PROPRIETARY TO MOLEX INCORPORATED AND SHOULD NOT BE USED WITHOUT WRITTEN PERMISSION			

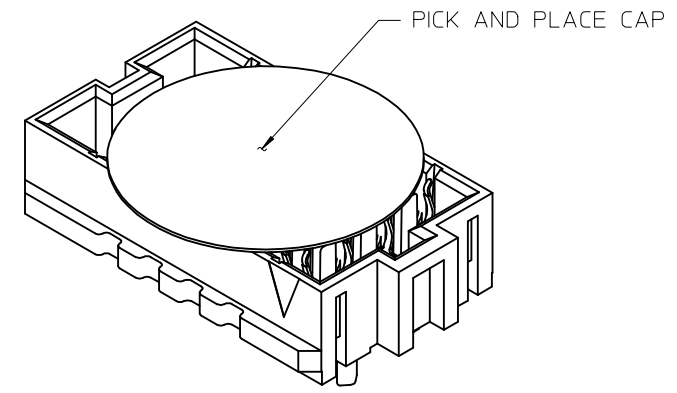
6		5		4		3		2		1	
MATED STACK HEIGHT (REF)		3.5 mm		4.5 mm		5.0 mm		6.0 mm		6.5 mm	
HEIGHTS		.199		.238		.258		.297		.317	
D	PARTS WITHOUT PEGS	POSITIONS	MATERIAL No	MATERIAL No	MATERIAL No	MATERIAL No	MATERIAL No	MATERIAL No	MATERIAL No	MATERIAL No	MATERIAL No
		19	45971-0166	45971-0266	45971-0366	45971-0466	45971-0566	45971-0666	45971-0766	45971-0866	45971-0966
		10	45971-1166	45971-1266	45971-1366	45971-1466	45971-1566	45971-1666	45971-1766	45971-1866	45971-1966
		20	45971-2166	45971-2266	45971-2366	45971-2466	45971-2566	45971-2666	45971-2766	45971-2866	45971-2966
		30	45971-3166	45971-3266	45971-3366	45971-3466	45971-3566	45971-3666	45971-3766	45971-3866	45971-3966
		40	45971-4166	45971-4266	45971-4366	45971-4466	45971-4566	45971-4666	45971-4766	45971-4866	45971-4966
		50	45971-5166	45971-5266	45971-5366	45971-5466	45971-5566	45971-5666	45971-5766	45971-5866	45971-5966
		15	45971-6166	45971-6266	45971-6366	45971-6466	45971-6566	45971-6666	45971-6766	45971-6866	45971-6966
		25	45971-7166	45971-7266	45971-7366	45971-7466	45971-7566	45971-7666	45971-7766	45971-7866	45971-7966
		35	45971-8166	45971-8266	45971-8366	45971-8466	45971-8566	45971-8666	45971-8766	45971-8866	45971-8966
C	PARTS WITH PEGS	POSITIONS	MATERIAL No	MATERIAL No	MATERIAL No	MATERIAL No	MATERIAL No	MATERIAL No	MATERIAL No	MATERIAL No	MATERIAL No
		19	45971-0167	45971-0267	45971-0367	45971-0467	45971-0567	45971-0667	45971-0767	45971-0867	45971-0967
		10	45971-1167	45971-1267	45971-1367	45971-1467	45971-1567	45971-1667	45971-1767	45971-1867	45971-1967
		20	45971-2167	45971-2267	45971-2367	45971-2467	45971-2567	45971-2667	45971-2767	45971-2867	45971-2967
		30	45971-3167	45971-3267	45971-3367	45971-3467	45971-3567	45971-3667	45971-3767	45971-3867	45971-3967
		40	45971-4167	45971-4267	45971-4367	45971-4467	45971-4567	45971-4667	45971-4767	45971-4867	45971-4967
		50	45971-5167	45971-5267	45971-5367	45971-5467	45971-5567	45971-5667	45971-5767	45971-5867	45971-5967
		15	45971-6167	45971-6267	45971-6367	45971-6467	45971-6567	45971-6667	45971-6767	45971-6867	45971-6967
		25	45971-7167	45971-7267	45971-7367	45971-7467	45971-7567	45971-7667	45971-7767	45971-7867	45971-7967
		35	45971-8167	45971-8267	45971-8367	45971-8467	45971-8567	45971-8667	45971-8767	45971-8867	45971-8967
B	PARTS WITH PEGS	POSITIONS	MATERIAL No	MATERIAL No	MATERIAL No	MATERIAL No	MATERIAL No	MATERIAL No	MATERIAL No	MATERIAL No	MATERIAL No
		19	45971-0167	45971-0267	45971-0367	45971-0467	45971-0567	45971-0667	45971-0767	45971-0867	45971-0967
		10	45971-1167	45971-1267	45971-1367	45971-1467	45971-1567	45971-1667	45971-1767	45971-1867	45971-1967
		20	45971-2167	45971-2267	45971-2367	45971-2467	45971-2567	45971-2667	45971-2767	45971-2867	45971-2967
		30	45971-3167	45971-3267	45971-3367	45971-3467	45971-3567	45971-3667	45971-3767	45971-3867	45971-3967
		40	45971-4167	45971-4267	45971-4367	45971-4467	45971-4567	45971-4667	45971-4767	45971-4867	45971-4967
		50	45971-5167	45971-5267	45971-5367	45971-5467	45971-5567	45971-5667	45971-5767	45971-5867	45971-5967
		15	45971-6167	45971-6267	45971-6367	45971-6467	45971-6567	45971-6667	45971-6767	45971-6867	45971-6967
		25	45971-7167	45971-7267	45971-7367	45971-7467	45971-7567	45971-7667	45971-7767	45971-7867	45971-7967
		35	45971-8167	45971-8267	45971-8367	45971-8467	45971-8567	45971-8667	45971-8767	45971-8867	45971-8967

THIS SHEET CONTAINS THE FOLLOWING OPTIONS:

HOUSING ROWS: 06 DIM C = .379
 SOLDER CHARGE: TIN / LEAD
 PACKAGING: TAPE AND REEL PACKED PER PK-45971-002
 PEGS: WITH AND WITHOUT PEGS

A	SEE SHEET 1 EC NO: UCP2009-0693 DRWN:KSAMIEC 2008/10/03 CHKD: 2008/10/03 APPR: JCOMERC I 2008/10/06	DESCRIPTION	GENERAL TOLERANCES (UNLESS SPECIFIED)		DIMENSION STYLE INCH ONLY		SCALE 2:1	DESIGN UNITS INCH	THIRD ANGLE PROJECTION		
				mm	INCH	DRAWN BY TGREGOR I	DATE 2005/05/17	TITLE SEARAY RECEPTACLE ASSEMBLY .050 CENTERS			
			4 PLACES	± ---	± ---	CHECKED BY JCOMERC I	DATE 2005/05/17				
			3 PLACES	± ---	± .010	APPROVED BY JCOMERC I	DATE 2005/05/17				
			2 PLACES	± ---	± .015	MATERIAL NO.		DOCUMENT NO.		SHEET NO.	
1 PLACE	± ---	± ---	DRAFT WHERE APPLICABLE MUST REMAIN WITHIN DIMENSIONS		SEE CHART		SD-45971-001		6 OF 18		

6		5		4		3		2		1	
MATED STACK HEIGHT (REF)		3.5 mm		4.5 mm		5.0 mm		6.0 mm		6.5 mm	
HEIGHTS		.199		.238		.258		.297		.317	
D	PARTS WITHOUT PEGS	POSITIONS	MATERIAL No	MATERIAL No	MATERIAL No	MATERIAL No	MATERIAL No	MATERIAL No	MATERIAL No	MATERIAL No	MATERIAL No
		19	45971-0180	45971-0280	45971-0380	45971-0480	45971-0580	45971-0680	45971-0780	45971-0880	45971-0980
		10	45971-1180	45971-1280	45971-1380	45971-1480	45971-1580	45971-1680	45971-1780	45971-1880	45971-1980
		20	45971-2180	45971-2280	45971-2380	45971-2480	45971-2580	45971-2680	45971-2780	45971-2880	45971-2980
		30	45971-3180	45971-3280	45971-3380	45971-3480	45971-3580	45971-3680	45971-3780	45971-3880	45971-3980
		40	45971-4180	45971-4280	45971-4380	45971-4480	45971-4580	45971-4680	45971-4780	45971-4880	45971-4980
		50	45971-5180	45971-5280	45971-5380	45971-5480	45971-5580	45971-5680	45971-5780	45971-5880	45971-5980
		15	45971-6180	45971-6280	45971-6380	45971-6480	45971-6580	45971-6680	45971-6780	45971-6880	45971-6980
		25	45971-7180	45971-7280	45971-7380	45971-7480	45971-7580	45971-7680	45971-7780	45971-7880	45971-7980
		35	45971-8180	45971-8280	45971-8380	45971-8480	45971-8580	45971-8680	45971-8780	45971-8880	45971-8980
45	45971-9180	45971-9280	45971-9380	45971-9480	45971-9580	45971-9680	45971-9780	45971-9880	45971-9980		
C	PARTS WITH PEGS	POSITIONS	MATERIAL No	MATERIAL No	MATERIAL No	MATERIAL No	MATERIAL No	MATERIAL No	MATERIAL No	MATERIAL No	MATERIAL No
		19	45971-0181	45971-0281	45971-0381	45971-0481	45971-0581	45971-0681	45971-0781	45971-0881	45971-0981
		10	45971-1181	45971-1281	45971-1381	45971-1481	45971-1581	45971-1681	45971-1781	45971-1881	45971-1981
		20	45971-2181	45971-2281	45971-2381	45971-2481	45971-2581	45971-2681	45971-2781	45971-2881	45971-2981
		30	45971-3181	45971-3281	45971-3381	45971-3481	45971-3581	45971-3681	45971-3781	45971-3881	45971-3981
		40	45971-4181	45971-4281	45971-4381	45971-4481	45971-4581	45971-4681	45971-4781	45971-4881	45971-4981
		50	45971-5181	45971-5281	45971-5381	45971-5481	45971-5581	45971-5681	45971-5781	45971-5881	45971-5981
		15	45971-6181	45971-6281	45971-6381	45971-6481	45971-6581	45971-6681	45971-6781	45971-6881	45971-6981
		25	45971-7181	45971-7281	45971-7381	45971-7481	45971-7581	45971-7681	45971-7781	45971-7881	45971-7981
		35	45971-8181	45971-8281	45971-8381	45971-8481	45971-8581	45971-8681	45971-8781	45971-8881	45971-8981
45	45971-9181	45971-9281	45971-9381	45971-9481	45971-9581	45971-9681	45971-9781	45971-9881	45971-9981		



THIS SHEET CONTAINS THE FOLLOWING OPTIONS:

HOUSING ROWS: 08 DIM C = .479
 SOLDER CHARGE: TIN
 PACKAGING: TRAY PACKED PER PK-45971-001
 PEGS: WITH AND WITHOUT PEGS

A	SEE SHEET 1 EC NO: UCP2009-0693 DRWN:KSAMIEC 2008/10/03 CHKD: 2008/10/03 APPR: JCOMERC I 2008/10/06	DESCRIPTION	GENERAL TOLERANCES (UNLESS SPECIFIED)		DIMENSION STYLE INCH ONLY		SCALE 3:1	DESIGN UNITS INCH	THIRD ANGLE PROJECTION			
			4 PLACES	± ---	± ---	DRAWN BY TGREGOR I	DATE 2005/05/17	TITLE SEARAY RECEPTACLE ASSEMBLY .050 CENTERS MOLEX INCORPORATED				
			3 PLACES	± ---	± .010	CHECKED BY JCOMERC I	DATE 2005/05/17					
			2 PLACES	± ---	± .015	APPROVED BY JCOMERC I	DATE 2005/05/17					
			1 PLACE	± ---	± ---	MATERIAL NO. SEE CHART	DOCUMENT NO. SD-45971-001					
DRAFT WHERE APPLICABLE MUST REMAIN WITHIN DIMENSIONS			SIZE A	THIS DRAWING CONTAINS INFORMATION THAT IS PROPRIETARY TO MOLEX INCORPORATED AND SHOULD NOT BE USED WITHOUT WRITTEN PERMISSION								

6		5		4		3		2		1		
MATED STACK HEIGHT (REF)		3.5 mm		4.5 mm		5.0 mm		6.0 mm		6.5 mm		
HEIGHTS		.199		.238		.258		.297		.317		
D	PARTS WITHOUT PEGS	POSITIONS	MATERIAL No	MATERIAL No	MATERIAL No	MATERIAL No	MATERIAL No	MATERIAL No	MATERIAL No	MATERIAL No	MATERIAL No	
		19	45971-0182	45971-0282	45971-0382	45971-0482	45971-0582					
		10	45971-1182	45971-1282	45971-1382	45971-1482	45971-1582					
		20	45971-2182	45971-2282	45971-2382	45971-2482	45971-2582					
		30	45971-3182	45971-3282	45971-3382	45971-3482	45971-3582					
		40	45971-4182	45971-4282	45971-4382	45971-4482	45971-4582					
		50	45971-5182	45971-5282	45971-5382	45971-5482	45971-5582					
		15	45971-6182	45971-6282	45971-6382	45971-6482	45971-6582					
		25	45971-7182	45971-7282	45971-7382	45971-7482	45971-7582					
		35	45971-8182	45971-8282	45971-8382	45971-8482	45971-8582					
45	45971-9182	45971-9282	45971-9382	45971-9482	45971-9582							
C	PARTS WITH PEGS	POSITIONS	MATERIAL No	MATERIAL No	MATERIAL No	MATERIAL No	MATERIAL No	MATERIAL No	MATERIAL No	MATERIAL No	MATERIAL No	
		19	45971-0183	45971-0283	45971-0383	45971-0483	45971-0583					
		10	45971-1183	45971-1283	45971-1383	45971-1483	45971-1583					
		20	45971-2183	45971-2283	45971-2383	45971-2483	45971-2583					
		30	45971-3183	45971-3283	45971-3383	45971-3483	45971-3583					
		40	45971-4183	45971-4283	45971-4383	45971-4483	45971-4583					
		50	45971-5183	45971-5283	45971-5383	45971-5483	45971-5583					
		15	45971-6183	45971-6283	45971-6383	45971-6483	45971-6583					
		25	45971-7183	45971-7283	45971-7383	45971-7483	45971-7583					
		35	45971-8183	45971-8283	45971-8383	45971-8483	45971-8583					
45	45971-9183	45971-9283	45971-9383	45971-9483	45971-9583							

THIS SHEET CONTAINS THE FOLLOWING OPTIONS:

HOUSING ROWS: 08 DIM C = .479
SOLDER CHARGE: TIN / LEAD
PACKAGING: TRAY PACKED PER PK-45971-001
PEGS: WITH AND WITHOUT PEGS

SEE SHEET 1 EC NO: UCP2009-0693 DRWN:KSAMIEC 2008/10/03 CHKD: 2008/10/03 APPR: JCOMERC I 2008/10/06 DESCRIPTION REV	GENERAL TOLERANCES (UNLESS SPECIFIED)		DIMENSION STYLE INCH ONLY		SCALE 1:1	DESIGN UNITS INCH	THIRD ANGLE PROJECTION		
	4 PLACES	± ---	± ---	DRAWN BY	DATE	SEARAY RECEPTACLE ASSEMBLY .050 CENTERS			
	3 PLACES	± ---	± .010	TGREGOR I	2005/05/17				
	2 PLACES	± ---	± .015	JCOMERC I	2005/05/17				
	1 PLACE	± ---	± ---	APPROVED BY	DATE	MOLEX INCORPORATED			
ANGULAR ± ---°			JCOMERC I	2005/05/17					
DRAFT WHERE APPLICABLE MUST REMAIN WITHIN DIMENSIONS			MATERIAL NO. SEE CHART		DOCUMENT NO. SD-45971-001	SHEET NO. 8 OF 18			
			SIZE A	THIS DRAWING CONTAINS INFORMATION THAT IS PROPRIETARY TO MOLEX INCORPORATED AND SHOULD NOT BE USED WITHOUT WRITTEN PERMISSION					

		6	5	4	3	2	1
MATED STACK HEIGHT (REF)		3.5 mm	4.5 mm	5.0 mm	6.0 mm	6.5 mm	
HEIGHTS		.199	.238	.258	.297	.317	
D	PARTS WITHOUT PEGS	POSITIONS	MATERIAL No	MATERIAL No	MATERIAL No	MATERIAL No	MATERIAL No
		19	45971-0184	45971-0284	45971-0384	45971-0484	45971-0584
		10	45971-1184	45971-1284	45971-1384	45971-1484	45971-1584
		20	45971-2184	45971-2284	45971-2384	45971-2484	45971-2584
		30	45971-3184	45971-3284	45971-3384	45971-3484	45971-3584
		40	45971-4184	45971-4284	45971-4384	45971-4484	45971-4584
		50	45971-5184	45971-5284	45971-5384	45971-5484	45971-5584
		15	45971-6184	45971-6284	45971-6384	45971-6484	45971-6584
		25	45971-7184	45971-7284	45971-7384	45971-7484	45971-7584
		35	45971-8184	45971-8284	45971-8384	45971-8484	45971-8584
C	PARTS WITH PEGS	POSITIONS	MATERIAL No	MATERIAL No	MATERIAL No	MATERIAL No	MATERIAL No
		19	45971-0185	45971-0285	45971-0385	45971-0485	45971-0585
		10	45971-1185	45971-1285	45971-1385	45971-1485	45971-1585
		20	45971-2185	45971-2285	45971-2385	45971-2485	45971-2585
		30	45971-3185	45971-3285	45971-3385	45971-3485	45971-3585
		40	45971-4185	45971-4285	45971-4385	45971-4485	45971-4585
		50	45971-5185	45971-5285	45971-5385	45971-5485	45971-5585
		15	45971-6185	45971-6285	45971-6385	45971-6485	45971-6585
		25	45971-7185	45971-7285	45971-7385	45971-7485	45971-7585
		35	45971-8185	45971-8285	45971-8385	45971-8485	45971-8585
B	PARTS WITH PEGS	POSITIONS	MATERIAL No	MATERIAL No	MATERIAL No	MATERIAL No	MATERIAL No
		19	45971-0185	45971-0285	45971-0385	45971-0485	45971-0585
		10	45971-1185	45971-1285	45971-1385	45971-1485	45971-1585
		20	45971-2185	45971-2285	45971-2385	45971-2485	45971-2585
		30	45971-3185	45971-3285	45971-3385	45971-3485	45971-3585
		40	45971-4185	45971-4285	45971-4385	45971-4485	45971-4585
		50	45971-5185	45971-5285	45971-5385	45971-5485	45971-5585
		15	45971-6185	45971-6285	45971-6385	45971-6485	45971-6585
		25	45971-7185	45971-7285	45971-7385	45971-7485	45971-7585
		35	45971-8185	45971-8285	45971-8385	45971-8485	45971-8585

THIS SHEET CONTAINS THE FOLLOWING OPTIONS:


HOUSING ROWS: 08 DIM C = .479
 SOLDER CHARGE: TIN
 PACKAGING: TAP AND REEL PACKED PER PK-45971-002
 PEGS: WITH AND WITHOUT PEGS

A	SEE SHEET 1 EC NO: UCP2009-0693 DRW:KSAM/EC 2008/10/03 CHKD: 2008/10/03 APPR: JCOMERC I 2008/10/06 DESCRIPTION	GENERAL TOLERANCES (UNLESS SPECIFIED)		DIMENSION STYLE INCH ONLY		SCALE 1:1	DESIGN UNITS INCH	THIRD ANGLE PROJECTION	
		4 PLACES	± ---	± ---	DRAWN BY TGREGORI	DATE 2005/05/17	TITLE SEARAY RECEPTACLE ASSEMBLY .050 CENTERS		
		3 PLACES	± ---	± .010	CHECKED BY JCOMERC I	DATE 2005/05/17	MOLEX MOLEX INCORPORATED		
		2 PLACES	± ---	± .015	APPROVED BY JCOMERC I	DATE 2005/05/17	DOCUMENT NO. SD-45971-001	SHEET NO. 9 OF 18	
		1 PLACE	± ---	± ---	MATERIAL NO.		SEE CHART		
ANGULAR ± ---°			DRAFT WHERE APPLICABLE MUST REMAIN WITHIN DIMENSIONS			THIS DRAWING CONTAINS INFORMATION THAT IS PROPRIETARY TO MOLEX INCORPORATED AND SHOULD NOT BE USED WITHOUT WRITTEN PERMISSION			

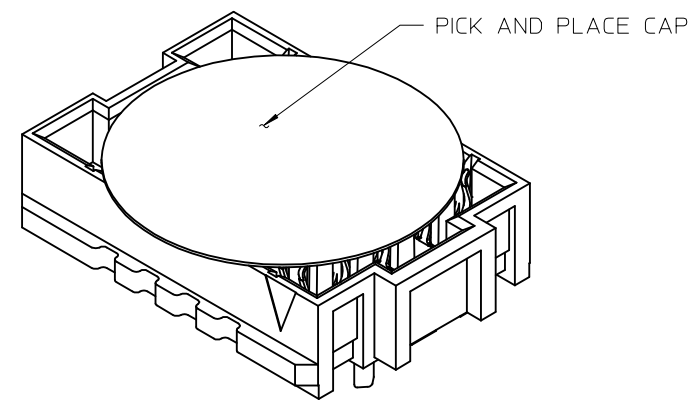
6		5		4		3		2		1	
MATED STACK HEIGHT (REF)		3.5 mm	4.5 mm	5.0 mm	6.0 mm	6.5 mm					
HEIGHTS		.199	.238	.258	.297	.317					
D	PARTS WITHOUT PEGS	POSITIONS	MATERIAL No	MATERIAL No	MATERIAL No	MATERIAL No	MATERIAL No				
		19	45971-0186	45971-0286	45971-0386	45971-0486	45971-0586				
		10	45971-1186	45971-1286	45971-1386	45971-1486	45971-1586				
		20	45971-2186	45971-2286	45971-2386	45971-2486	45971-2586				
		30	45971-3186	45971-3286	45971-3386	45971-3486	45971-3586				
		40	45971-4186	45971-4286	45971-4386	45971-4486	45971-4586				
		50	45971-5186	45971-5286	45971-5386	45971-5486	45971-5586				
		15	45971-6186	45971-6286	45971-6386	45971-6486	45971-6586				
		25	45971-7186	45971-7286	45971-7386	45971-7486	45971-7586				
		35	45971-8186	45971-8286	45971-8386	45971-8486	45971-8586				
C	PARTS WITH PEGS	POSITIONS	MATERIAL No	MATERIAL No	MATERIAL No	MATERIAL No	MATERIAL No				
		19	45971-0187	45971-0287	45971-0387	45971-0487	45971-0587				
		10	45971-1187	45971-1287	45971-1387	45971-1487	45971-1587				
		20	45971-2187	45971-2287	45971-2387	45971-2487	45971-2587				
		30	45971-3187	45971-3287	45971-3387	45971-3487	45971-3587				
		40	45971-4187	45971-4287	45971-4387	45971-4487	45971-4587				
		50	45971-5187	45971-5287	45971-5387	45971-5487	45971-5587				
		15	45971-6187	45971-6287	45971-6387	45971-6487	45971-6587				
		25	45971-7187	45971-7287	45971-7387	45971-7487	45971-7587				
		35	45971-8187	45971-8287	45971-8387	45971-8487	45971-8587				
B		45	45971-9187	45971-9287	45971-9387	45971-9487	45971-9587				

THIS SHEET CONTAINS THE FOLLOWING OPTIONS:

HOUSING ROWS: 08 DIM C = .479
 SOLDER CHARGE: TIN / LEAD
 PACKAGING: TAPE AND REEL PACKED PER PK-45971-002
 PEGS: WITH AND WITHOUT PEGS

A	SEE SHEET 1 EC NO: UCP2009-0693 DRWN:KSAMIEC 2008/10/03 CHKD: 2008/10/03 APPR: JCOMERC I 2008/10/06 REV	DESCRIPTION	GENERAL TOLERANCES (UNLESS SPECIFIED)		DIMENSION STYLE INCH ONLY		SCALE 1:1	DESIGN UNITS INCH	THIRD ANGLE PROJECTION			
				mm	INCH	DRAWN BY TGREGOR I	DATE 2005/05/17	TITLE SEARAY RECEPTACLE ASSEMBLY .050 CENTERS				
			4 PLACES	± ---	± ---	CHECKED BY JCOMERC I	DATE 2005/05/17					
			3 PLACES	± ---	± .010	APPROVED BY JCOMERC I	DATE 2005/05/17	 MOLEX INCORPORATED DOCUMENT NO. SD-45971-001 SHEET NO. 10 OF 18				
			2 PLACES	± ---	± .015	MATERIAL NO.						
1 PLACE	± ---	± ---	DRAFT WHERE APPLICABLE MUST REMAIN WITHIN DIMENSIONS		SIZE A		THIS DRAWING CONTAINS INFORMATION THAT IS PROPRIETARY TO MOLEX INCORPORATED AND SHOULD NOT BE USED WITHOUT WRITTEN PERMISSION					

MATED STACK HEIGHT (REF)	3.5 mm	4.5 mm	5.0 mm	6.0 mm	6.5 mm
HEIGHTS	.199	.238	.258	.297	.317
POSITIONS	MATERIAL No	MATERIAL No	MATERIAL No	MATERIAL No	MATERIAL No
19	45971-0110	45971-0210	45971-0310	45971-0410	45971-0510
10	45971-1110	45971-1210	45971-1310	45971-1410	45971-1510
20	45971-2110	45971-2210	45971-2310	45971-2410	45971-2510
30	45971-3110	45971-3210	45971-3310	45971-3410	45971-3510
40	45971-4110	45971-4210	45971-4310	45971-4410	45971-4510
50	45971-5110	45971-5210	45971-5310	45971-5410	45971-5510
15	45971-6110	45971-6210	45971-6310	45971-6410	45971-6510
25	45971-7110	45971-7210	45971-7310	45971-7410	45971-7510
35	45971-8110	45971-8210	45971-8310	45971-8410	45971-8510
45	45971-9110	45971-9210	45971-9310	45971-9410	45971-9510
POSITIONS	MATERIAL No	MATERIAL No	MATERIAL No	MATERIAL No	MATERIAL No
19	45971-0111	45971-0211	45971-0311	45971-0411	45971-0511
10	45971-1111	45971-1211	45971-1311	45971-1411	45971-1511
20	45971-2111	45971-2211	45971-2311	45971-2411	45971-2511
30	45971-3111	45971-3211	45971-3311	45971-3411	45971-3511
40	45971-4111	45971-4211	45971-4311	45971-4411	45971-4511
50	45971-5111	45971-5211	45971-5311	45971-5411	45971-5511
15	45971-6111	45971-6211	45971-6311	45971-6411	45971-6511
25	45971-7111	45971-7211	45971-7311	45971-7411	45971-7511
35	45971-8111	45971-8211	45971-8311	45971-8411	45971-8511
45	45971-9111	45971-9211	45971-9311	45971-9411	45971-9511



THIS SHEET CONTAINS THE FOLLOWING OPTIONS:

HOUSING ROWS: 10 DIM C = .579
 SOLDER CHARGE: TIN
 PACKAGING: TRAY PACKED PER PK-45971-001
 PEGS: WITH AND WITHOUT PEGS

SEE SHEET 1
 EC NO: UCP2009-0693
 DRWN:KSAMIEC 2008/10/03
 CHKD: 2008/10/03
 APPR: JCOMERC I 2008/10/06
 DESCRIPTION
 REV

GENERAL TOLERANCES (UNLESS SPECIFIED)

	mm	INCH
4 PLACES	± .005	± .0004
3 PLACES	± .005	± .010
2 PLACES	± .005	± .015
1 PLACE	± .005	± .020

ANGULAR ± .005°

DRAFT WHERE APPLICABLE MUST REMAIN WITHIN DIMENSIONS

DIMENSION STYLE
INCH ONLY

DRAWN BY DATE
 TGREGOR I 2005/05/17

CHECKED BY DATE
 JCOMERC I 2005/05/17

APPROVED BY DATE
 JCOMERC I 2005/05/17

MATERIAL NO.
SEE CHART

SIZE
A

SCALE
3:1

DESIGN UNITS
INCH

THIRD ANGLE PROJECTION

TITLE
SEARAY RECEPTACLE ASSEMBLY .050 CENTERS

molex MOLEX INCORPORATED

DOCUMENT NO.
SD-45971-001

SHEET NO.
11 OF 18

THIS DRAWING CONTAINS INFORMATION THAT IS PROPRIETARY TO MOLEX INCORPORATED AND SHOULD NOT BE USED WITHOUT WRITTEN PERMISSION

6		5		4		3		2		1	
MATED STACK HEIGHT (REF)		3.5 mm		4.5 mm		5.0 mm		6.0 mm		6.5 mm	
HEIGHTS		.199		.238		.258		.297		.317	
D	PARTS WITHOUT PEGS	POSITIONS	MATERIAL No	MATERIAL No	MATERIAL No	MATERIAL No	MATERIAL No	MATERIAL No	MATERIAL No	MATERIAL No	MATERIAL No
		19	45971-0112	45971-0212	45971-0312	45971-0412	45971-0512	45971-0612	45971-0712	45971-0812	45971-0912
		10	45971-1112	45971-1212	45971-1312	45971-1412	45971-1512	45971-1612	45971-1712	45971-1812	45971-1912
		20	45971-2112	45971-2212	45971-2312	45971-2412	45971-2512	45971-2612	45971-2712	45971-2812	45971-2912
		30	45971-3112	45971-3212	45971-3312	45971-3412	45971-3512	45971-3612	45971-3712	45971-3812	45971-3912
		40	45971-4112	45971-4212	45971-4312	45971-4412	45971-4512	45971-4612	45971-4712	45971-4812	45971-4912
		50	45971-5112	45971-5212	45971-5312	45971-5412	45971-5512	45971-5612	45971-5712	45971-5812	45971-5912
		15	45971-6112	45971-6212	45971-6312	45971-6412	45971-6512	45971-6612	45971-6712	45971-6812	45971-6912
		25	45971-7112	45971-7212	45971-7312	45971-7412	45971-7512	45971-7612	45971-7712	45971-7812	45971-7912
		35	45971-8112	45971-8212	45971-8312	45971-8412	45971-8512	45971-8612	45971-8712	45971-8812	45971-8912
C	PARTS WITH PEGS	POSITIONS	MATERIAL No	MATERIAL No	MATERIAL No	MATERIAL No	MATERIAL No	MATERIAL No	MATERIAL No	MATERIAL No	MATERIAL No
		19	45971-0113	45971-0213	45971-0313	45971-0413	45971-0513	45971-0613	45971-0713	45971-0813	45971-0913
		10	45971-1113	45971-1213	45971-1313	45971-1413	45971-1513	45971-1613	45971-1713	45971-1813	45971-1913
		20	45971-2113	45971-2213	45971-2313	45971-2413	45971-2513	45971-2613	45971-2713	45971-2813	45971-2913
		30	45971-3113	45971-3213	45971-3313	45971-3413	45971-3513	45971-3613	45971-3713	45971-3813	45971-3913
		40	45971-4113	45971-4213	45971-4313	45971-4413	45971-4513	45971-4613	45971-4713	45971-4813	45971-4913
		50	45971-5113	45971-5213	45971-5313	45971-5413	45971-5513	45971-5613	45971-5713	45971-5813	45971-5913
		15	45971-6113	45971-6213	45971-6313	45971-6413	45971-6513	45971-6613	45971-6713	45971-6813	45971-6913
		25	45971-7113	45971-7213	45971-7313	45971-7413	45971-7513	45971-7613	45971-7713	45971-7813	45971-7913
		35	45971-8113	45971-8213	45971-8313	45971-8413	45971-8513	45971-8613	45971-8713	45971-8813	45971-8913
B	PARTS WITH PEGS	POSITIONS	MATERIAL No	MATERIAL No	MATERIAL No	MATERIAL No	MATERIAL No	MATERIAL No	MATERIAL No	MATERIAL No	MATERIAL No
		19	45971-0113	45971-0213	45971-0313	45971-0413	45971-0513	45971-0613	45971-0713	45971-0813	45971-0913
		10	45971-1113	45971-1213	45971-1313	45971-1413	45971-1513	45971-1613	45971-1713	45971-1813	45971-1913
		20	45971-2113	45971-2213	45971-2313	45971-2413	45971-2513	45971-2613	45971-2713	45971-2813	45971-2913
		30	45971-3113	45971-3213	45971-3313	45971-3413	45971-3513	45971-3613	45971-3713	45971-3813	45971-3913
		40	45971-4113	45971-4213	45971-4313	45971-4413	45971-4513	45971-4613	45971-4713	45971-4813	45971-4913
		50	45971-5113	45971-5213	45971-5313	45971-5413	45971-5513	45971-5613	45971-5713	45971-5813	45971-5913
		15	45971-6113	45971-6213	45971-6313	45971-6413	45971-6513	45971-6613	45971-6713	45971-6813	45971-6913
		25	45971-7113	45971-7213	45971-7313	45971-7413	45971-7513	45971-7613	45971-7713	45971-7813	45971-7913
		35	45971-8113	45971-8213	45971-8313	45971-8413	45971-8513	45971-8613	45971-8713	45971-8813	45971-8913

THIS SHEET CONTAINS THE FOLLOWING OPTIONS:

HOUSING ROWS: 10 DIM C = .579
 SOLDER CHARGE: TIN / LEAD
 PACKAGING: TRAY PACKED PER PK-45971-001
 PEGS: WITH AND WITHOUT PEGS

SEE SHEET 1 EC NO: UCP2009-0693 DRWN:KSAMIEC 2008/10/03 CHKD: 2008/10/03 APPR: JCOMERC I 2008/10/06 REV	DESCRIPTION	GENERAL TOLERANCES (UNLESS SPECIFIED)		DIMENSION STYLE INCH ONLY		SCALE 1:1	DESIGN UNITS INCH	THIRD ANGLE PROJECTION		
			mm	INCH	DRAWN BY TGREGOR I	DATE 2005/05/17	TITLE SEARAY RECEPTACLE ASSEMBLY .050 CENTERS			
		4 PLACES	± ---	± ---	CHECKED BY JCOMERC I	DATE 2005/05/17				
		3 PLACES	± ---	± .010	APPROVED BY JCOMERC I	DATE 2005/05/17				
		2 PLACES	± ---	± .015	MATERIAL NO.		DOCUMENT NO.		SHEET NO.	
1 PLACE	± ---	± ---	SEE CHART		SD-45971-001		12 OF 18			
DRAFT WHERE APPLICABLE MUST REMAIN WITHIN DIMENSIONS		SIZE A	THIS DRAWING CONTAINS INFORMATION THAT IS PROPRIETARY TO MOLEX INCORPORATED AND SHOULD NOT BE USED WITHOUT WRITTEN PERMISSION							

6		5		4		3		2		1		
MATED STACK HEIGHT (REF)		3.5 mm		4.5 mm		5.0 mm		6.0 mm		6.5 mm		
HEIGHTS		.199		.238		.258		.297		.317		
D	PARTS WITHOUT PEGS	POSITIONS	MATERIAL No	MATERIAL No	MATERIAL No	MATERIAL No	MATERIAL No	MATERIAL No	MATERIAL No	MATERIAL No	MATERIAL No	
		19	45971-0114	45971-0214	45971-0314	45971-0414	45971-0514	45971-0614	45971-0714	45971-0814	45971-0914	45971-1014
		10	45971-1114	45971-1214	45971-1314	45971-1414	45971-1514	45971-1614	45971-1714	45971-1814	45971-1914	45971-2014
		20	45971-2114	45971-2214	45971-2314	45971-2414	45971-2514	45971-2614	45971-2714	45971-2814	45971-2914	45971-3014
		30	45971-3114	45971-3214	45971-3314	45971-3414	45971-3514	45971-3614	45971-3714	45971-3814	45971-3914	45971-4014
		40	45971-4114	45971-4214	45971-4314	45971-4414	45971-4514	45971-4614	45971-4714	45971-4814	45971-4914	45971-5014
		50	45971-5114	45971-5214	45971-5314	45971-5414	45971-5514	45971-5614	45971-5714	45971-5814	45971-5914	45971-6014
		15	45971-6114	45971-6214	45971-6314	45971-6414	45971-6514	45971-6614	45971-6714	45971-6814	45971-6914	45971-7014
		25	45971-7114	45971-7214	45971-7314	45971-7414	45971-7514	45971-7614	45971-7714	45971-7814	45971-7914	45971-8014
		35	45971-8114	45971-8214	45971-8314	45971-8414	45971-8514	45971-8614	45971-8714	45971-8814	45971-8914	45971-9014
C	PARTS WITH PEGS	POSITIONS	MATERIAL No	MATERIAL No	MATERIAL No	MATERIAL No	MATERIAL No	MATERIAL No	MATERIAL No	MATERIAL No	MATERIAL No	
		19	45971-0115	45971-0215	45971-0315	45971-0415	45971-0515	45971-0615	45971-0715	45971-0815	45971-0915	45971-1015
		10	45971-1115	45971-1215	45971-1315	45971-1415	45971-1515	45971-1615	45971-1715	45971-1815	45971-1915	45971-2015
		20	45971-2115	45971-2215	45971-2315	45971-2415	45971-2515	45971-2615	45971-2715	45971-2815	45971-2915	45971-3015
		30	45971-3115	45971-3215	45971-3315	45971-3415	45971-3515	45971-3615	45971-3715	45971-3815	45971-3915	45971-4015
		40	45971-4115	45971-4215	45971-4315	45971-4415	45971-4515	45971-4615	45971-4715	45971-4815	45971-4915	45971-5015
		50	45971-5115	45971-5215	45971-5315	45971-5415	45971-5515	45971-5615	45971-5715	45971-5815	45971-5915	45971-6015
		15	45971-6115	45971-6215	45971-6315	45971-6415	45971-6515	45971-6615	45971-6715	45971-6815	45971-6915	45971-7015
		25	45971-7115	45971-7215	45971-7315	45971-7415	45971-7515	45971-7615	45971-7715	45971-7815	45971-7915	45971-8015
		35	45971-8115	45971-8215	45971-8315	45971-8415	45971-8515	45971-8615	45971-8715	45971-8815	45971-8915	45971-9015
45	45971-9115	45971-9215	45971-9315	45971-9415	45971-9515	45971-9615	45971-9715	45971-9815	45971-9915	45971-10015		

THIS SHEET CONTAINS THE FOLLOWING OPTIONS:

HOUSING ROWS: 10 DIM C = .579
 SOLDER CHARGE: TIN
 PACKAGING: TAPE AND REEL PACKED PER PK-45971-002
 PEGS: WITH AND WITHOUT PEGS

SEE SHEET 1
 EC NO: UCP2009-0693
 DRWN:KSAMIEC 2008/10/03
 CHKD: 2008/10/03
 APPR:JCOMERC I 2008/10/06
 REV

REV	DESCRIPTION
L1	

GENERAL TOLERANCES (UNLESS SPECIFIED)

	mm	INCH
4 PLACES	± .005	± .0004
3 PLACES	± .005	± .0004
2 PLACES	± .005	± .0004
1 PLACE	± .005	± .0004
ANGULAR ± .005°		

DRAFT WHERE APPLICABLE MUST REMAIN WITHIN DIMENSIONS

DIMENSION STYLE	
INCH ONLY	
DRAWN BY	DATE
TGREGOR I	2005/05/17
CHECKED BY	DATE
JCOMERC I	2005/05/17
APPROVED BY	DATE
JCOMERC I	2005/05/17
MATERIAL NO.	
SEE CHART	
SIZE	
A	

SCALE	DESIGN UNITS	THIRD ANGLE PROJECTION
1:1	INCH	THIRD ANGLE PROJECTION
TITLE		
SEARAY RECEPTACLE ASSEMBLY .050 CENTERS		
MOLEX INCORPORATED		
DOCUMENT NO.	SHEET NO.	
SD-45971-001	13 OF 18	

THIS DRAWING CONTAINS INFORMATION THAT IS PROPRIETARY TO MOLEX INCORPORATED AND SHOULD NOT BE USED WITHOUT WRITTEN PERMISSION

6		5		4		3		2		1		
MATED STACK HEIGHT (REF)		3.5 mm		4.5 mm		5.0 mm		6.0 mm		6.5 mm		
HEIGHTS		.199		.238		.258		.297		.317		
D	PARTS WITHOUT PEGS	POSITIONS	MATERIAL No	MATERIAL No	MATERIAL No	MATERIAL No	MATERIAL No	MATERIAL No	MATERIAL No	MATERIAL No	MATERIAL No	
		19	45971-0116	45971-0216	45971-0316	45971-0416	45971-0516	45971-0616	45971-0716	45971-0816	45971-0916	45971-1016
		10	45971-1116	45971-1216	45971-1316	45971-1416	45971-1516	45971-1616	45971-1716	45971-1816	45971-1916	45971-2016
		20	45971-2116	45971-2216	45971-2316	45971-2416	45971-2516	45971-2616	45971-2716	45971-2816	45971-2916	45971-3016
		30	45971-3116	45971-3216	45971-3316	45971-3416	45971-3516	45971-3616	45971-3716	45971-3816	45971-3916	45971-4016
		40	45971-4116	45971-4216	45971-4316	45971-4416	45971-4516	45971-4616	45971-4716	45971-4816	45971-4916	45971-5016
		50	45971-5116	45971-5216	45971-5316	45971-5416	45971-5516	45971-5616	45971-5716	45971-5816	45971-5916	45971-6016
		15	45971-6116	45971-6216	45971-6316	45971-6416	45971-6516	45971-6616	45971-6716	45971-6816	45971-6916	45971-7016
		25	45971-7116	45971-7216	45971-7316	45971-7416	45971-7516	45971-7616	45971-7716	45971-7816	45971-7916	45971-8016
		35	45971-8116	45971-8216	45971-8316	45971-8416	45971-8516	45971-8616	45971-8716	45971-8816	45971-8916	45971-9016
45	45971-9116	45971-9216	45971-9316	45971-9416	45971-9516	45971-9616	45971-9716	45971-9816	45971-9916	45971-10016		
C	PARTS WITH PEGS	POSITIONS	MATERIAL No	MATERIAL No	MATERIAL No	MATERIAL No	MATERIAL No	MATERIAL No	MATERIAL No	MATERIAL No	MATERIAL No	
		19	45971-0117	45971-0217	45971-0317	45971-0417	45971-0517	45971-0617	45971-0717	45971-0817	45971-0917	45971-1017
		10	45971-1117	45971-1217	45971-1317	45971-1417	45971-1517	45971-1617	45971-1717	45971-1817	45971-1917	45971-2017
		20	45971-2117	45971-2217	45971-2317	45971-2417	45971-2517	45971-2617	45971-2717	45971-2817	45971-2917	45971-3017
		30	45971-3117	45971-3217	45971-3317	45971-3417	45971-3517	45971-3617	45971-3717	45971-3817	45971-3917	45971-4017
		40	45971-4117	45971-4217	45971-4317	45971-4417	45971-4517	45971-4617	45971-4717	45971-4817	45971-4917	45971-5017
		50	45971-5117	45971-5217	45971-5317	45971-5417	45971-5517	45971-5617	45971-5717	45971-5817	45971-5917	45971-6017
		15	45971-6117	45971-6217	45971-6317	45971-6417	45971-6517	45971-6617	45971-6717	45971-6817	45971-6917	45971-7017
		25	45971-7117	45971-7217	45971-7317	45971-7417	45971-7517	45971-7617	45971-7717	45971-7817	45971-7917	45971-8017
		35	45971-8117	45971-8217	45971-8317	45971-8417	45971-8517	45971-8617	45971-8717	45971-8817	45971-8917	45971-9017
45	45971-9117	45971-9217	45971-9317	45971-9417	45971-9517	45971-9617	45971-9717	45971-9817	45971-9917	45971-10017		

THIS SHEET CONTAINS THE FOLLOWING OPTIONS:

HOUSING ROWS: 10 DIM C = .579
 SOLDER CHARGE: TIN / LEAD
 PACKAGING: TAPE AND REEL PACKED PER PK-45971-002
 PEGS: WITH AND WITHOUT PEGS

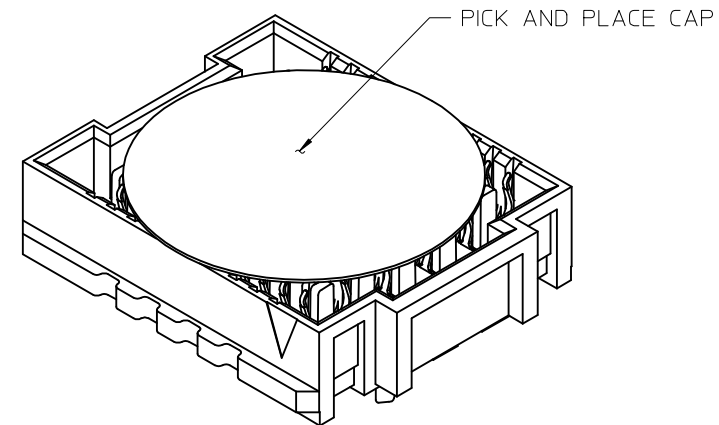
SEE SHEET 1 EC NO: UCP2009-0693 DRWN:KSAMIEC 2008/10/03 CHKD: 2008/10/03 APPR: JCOMERC I 2008/10/06	REV	DESCRIPTION
	L1	

GENERAL TOLERANCES (UNLESS SPECIFIED)		
	mm	INCH
4 PLACES	± .005	± .0004
3 PLACES	± .005	± .0004
2 PLACES	± .005	± .0004
1 PLACE	± .005	± .0004
ANGULAR ± .005°		
DRAFT WHERE APPLICABLE MUST REMAIN WITHIN DIMENSIONS		

DIMENSION STYLE	
INCH ONLY	
DRAWN BY	DATE
TGREGOR I	2005/05/17
CHECKED BY	DATE
JCOMERC I	2005/05/17
APPROVED BY	DATE
JCOMERC I	2005/05/17
MATERIAL NO.	
SEE CHART	

SCALE	DESIGN UNITS	THIRD ANGLE PROJECTION	
1:1	INCH		
TITLE			
SEARAY RECEPTACLE ASSEMBLY .050 CENTERS			
MOLEX INCORPORATED			
DOCUMENT NO.		SHEET NO.	
SD-45971-001		14 OF 18	
THIS DRAWING CONTAINS INFORMATION THAT IS PROPRIETARY TO MOLEX INCORPORATED AND SHOULD NOT BE USED WITHOUT WRITTEN PERMISSION			

6		5		4		3		2		1		
MATED STACK HEIGHT (REF)		3.5 mm		4.5 mm		5.0 mm		6.0 mm		6.5 mm		
HEIGHTS		.199		.238		.258		.297		.317		
D	PARTS WITHOUT PEGS	POSITIONS	MATERIAL No	MATERIAL No	MATERIAL No	MATERIAL No	MATERIAL No	MATERIAL No	MATERIAL No	MATERIAL No	MATERIAL No	
		19	45971-0120	45971-0220	45971-0320	45971-0420	45971-0520					
		10	45971-1120	45971-1220	45971-1320	45971-1420	45971-1520					
		20	45971-2120	45971-2220	45971-2320	45971-2420	45971-2520					
		30	45971-3120	45971-3220	45971-3320	45971-3420	45971-3520					
		40	45971-4120	45971-4220	45971-4320	45971-4420	45971-4520					
		50	45971-5120	45971-5220	45971-5320	45971-5420	45971-5520					
		15	45971-6120	45971-6220	45971-6320	45971-6420	45971-6520					
		25	45971-7120	45971-7220	45971-7320	45971-7420	45971-7520					
		35	45971-8120	45971-8220	45971-8320	45971-8420	45971-8520					
45	45971-9120	45971-9220	45971-9320	45971-9420	45971-9520							
C	PARTS WITH PEGS	POSITIONS	MATERIAL No	MATERIAL No	MATERIAL No	MATERIAL No	MATERIAL No	MATERIAL No	MATERIAL No	MATERIAL No	MATERIAL No	
		19	45971-0121	45971-0221	45971-0321	45971-0421	45971-0521					
		10	45971-1121	45971-1221	45971-1321	45971-1421	45971-1521					
		20	45971-2121	45971-2221	45971-2321	45971-2421	45971-2521					
		30	45971-3121	45971-3221	45971-3321	45971-3421	45971-3521					
		40	45971-4121	45971-4221	45971-4321	45971-4421	45971-4521					
		50	45971-5121	45971-5221	45971-5321	45971-5421	45971-5521					
		15	45971-6121	45971-6221	45971-6321	45971-6421	45971-6521					
		25	45971-7121	45971-7221	45971-7321	45971-7421	45971-7521					
		35	45971-8121	45971-8221	45971-8321	45971-8421	45971-8521					
45	45971-9121	45971-9221	45971-9321	45971-9421	45971-9521							



THIS SHEET CONTAINS THE FOLLOWING OPTIONS:

- HOUSING ROWS: 12 DIM C = .679
- SOLDER CHARGE: TIN
- PACKAGING: TRAY PACKED PER PK-45971-001
- PEGS: WITH AND WITHOUT PEGS

SEE SHEET 1 EC NO: UCP2009-0693 DRWN:KSAMIEC CHKD: APPR:JCOMERC I 2008/10/03 2008/10/03 2008/10/06	DESCRIPTION REV	GENERAL TOLERANCES (UNLESS SPECIFIED)		DIMENSION STYLE INCH ONLY		SCALE 1:1	DESIGN UNITS INCH	THIRD ANGLE PROJECTION			
			mm	INCH	DRAWN BY TGREGOR I	DATE 2005/05/17	TITLE SEARAY RECEPTACLE ASSEMBLY .050 CENTERS				
		4 PLACES	± ---	± ---	CHECKED BY JCOMERC I	DATE 2005/05/17					
		3 PLACES	± ---	± .010	APPROVED BY JCOMERC I		DATE 2005/05/17	MOLEX INCORPORATED DOCUMENT NO. SD-45971-001			
		2 PLACES	± ---	± .015	MATERIAL NO.		SHEET NO. 15 OF 18				
1 PLACE	± ---	± ---	SEE CHART THIS DRAWING CONTAINS INFORMATION THAT IS PROPRIETARY TO MOLEX INCORPORATED AND SHOULD NOT BE USED WITHOUT WRITTEN PERMISSION								

6		5		4		3		2		1	
MATED STACK HEIGHT (REF)		3.5 mm	4.5 mm	5.0 mm	6.0 mm	6.5 mm					
HEIGHTS		.199	.238	.258	.297	.317					
D	PARTS WITHOUT PEGS	POSITIONS	MATERIAL No	MATERIAL No	MATERIAL No	MATERIAL No	MATERIAL No				
		19	45971-0122	45971-0222	45971-0322	45971-0422	45971-0522				
		10	45971-1122	45971-1222	45971-1322	45971-1422	45971-1522				
		20	45971-2122	45971-2222	45971-2322	45971-2422	45971-2522				
		30	45971-3122	45971-3222	45971-3322	45971-3422	45971-3522				
		40	45971-4122	45971-4222	45971-4322	45971-4422	45971-4522				
		50	45971-5122	45971-5222	45971-5322	45971-5422	45971-5522				
		15	45971-6122	45971-6222	45971-6322	45971-6422	45971-6522				
		25	45971-7122	45971-7222	45971-7322	45971-7422	45971-7522				
		35	45971-8122	45971-8222	45971-8322	45971-8422	45971-8522				
45	45971-9122	45971-9222	45971-9322	45971-9422	45971-9522						
C	PARTS WITH PEGS	POSITIONS	MATERIAL No	MATERIAL No	MATERIAL No	MATERIAL No	MATERIAL No				
		19	45971-0123	45971-0223	45971-0323	45971-0423	45971-0523				
		10	45971-1123	45971-1223	45971-1323	45971-1423	45971-1523				
		20	45971-2123	45971-2223	45971-2323	45971-2423	45971-2523				
		30	45971-3123	45971-3223	45971-3323	45971-3423	45971-3523				
		40	45971-4123	45971-4223	45971-4323	45971-4423	45971-4523				
		50	45971-5123	45971-5223	45971-5323	45971-5423	45971-5523				
		15	45971-6123	45971-6223	45971-6323	45971-6423	45971-6523				
		25	45971-7123	45971-7223	45971-7323	45971-7423	45971-7523				
		35	45971-8123	45971-8223	45971-8323	45971-8423	45971-8523				
45	45971-9123	45971-9223	45971-9323	45971-9423	45971-9523						

THIS SHEET CONTAINS THE FOLLOWING OPTIONS:

HOUSING ROWS: 12 DIM C = .679
 SOLDER CHARGE: TIN / LEAD
 PACKAGING: TRAY PACKED PER PK-45971-001
 PEGS: WITH AND WITHOUT PEGS

SEE SHEET 1 EC NO: UCP2009-0693 DRWN:KSAMIEC 2008/10/03 CHKD: 2008/10/03 APPR:JCOMERC 2008/10/06 DESCRIPTION REV	GENERAL TOLERANCES (UNLESS SPECIFIED)		DIMENSION STYLE INCH ONLY		SCALE 1:1	DESIGN UNITS INCH	THIRD ANGLE PROJECTION		
	4 PLACES	± ---	± ---	DRAWN BY	DATE	TITLE SEARAY RECEPTACLE ASSEMBLY .050 CENTERS MOLEX INCORPORATED DOCUMENT NO. SD-45971-001 SHEET NO. 16 OF 18			
	3 PLACES	± ---	± .010	CHECKED BY	DATE				
	2 PLACES	± ---	± .015	APPROVED BY	DATE				
	1 PLACE	± ---	± ---	JCOMERC I	2005/05/17				
ANGULAR ± ---°		MATERIAL NO.		SEE CHART					
DRAFT WHERE APPLICABLE MUST REMAIN WITHIN DIMENSIONS			SIZE A		THIS DRAWING CONTAINS INFORMATION THAT IS PROPRIETARY TO MOLEX INCORPORATED AND SHOULD NOT BE USED WITHOUT WRITTEN PERMISSION				

6		5		4		3		2		1	
MATED STACK HEIGHT (REF)		3.5 mm		4.5 mm		5.0 mm		6.0 mm		6.5 mm	
HEIGHTS		.199		.238		.258		.297		.317	
D	PARTS WITHOUT PEGS	POSITIONS	MATERIAL No	MATERIAL No	MATERIAL No	MATERIAL No	MATERIAL No	MATERIAL No	MATERIAL No	MATERIAL No	MATERIAL No
		19	45971-0124	45971-0224	45971-0324	45971-0424	45971-0524	45971-0624	45971-0724	45971-0824	45971-0924
		10	45971-1124	45971-1224	45971-1324	45971-1424	45971-1524	45971-1624	45971-1724	45971-1824	45971-1924
		20	45971-2124	45971-2224	45971-2324	45971-2424	45971-2524	45971-2624	45971-2724	45971-2824	45971-2924
		30	45971-3124	45971-3224	45971-3324	45971-3424	45971-3524	45971-3624	45971-3724	45971-3824	45971-3924
		40	45971-4124	45971-4224	45971-4324	45971-4424	45971-4524	45971-4624	45971-4724	45971-4824	45971-4924
		50	45971-5124	45971-5224	45971-5324	45971-5424	45971-5524	45971-5624	45971-5724	45971-5824	45971-5924
		15	45971-6124	45971-6224	45971-6324	45971-6424	45971-6524	45971-6624	45971-6724	45971-6824	45971-6924
		25	45971-7124	45971-7224	45971-7324	45971-7424	45971-7524	45971-7624	45971-7724	45971-7824	45971-7924
		35	45971-8124	45971-8224	45971-8324	45971-8424	45971-8524	45971-8624	45971-8724	45971-8824	45971-8924
C	PARTS WITH PEGS	POSITIONS	MATERIAL No	MATERIAL No	MATERIAL No	MATERIAL No	MATERIAL No	MATERIAL No	MATERIAL No	MATERIAL No	MATERIAL No
		19	45971-0125	45971-0225	45971-0325	45971-0425	45971-0525	45971-0625	45971-0725	45971-0825	45971-0925
		10	45971-1125	45971-1225	45971-1325	45971-1425	45971-1525	45971-1625	45971-1725	45971-1825	45971-1925
		20	45971-2125	45971-2225	45971-2325	45971-2425	45971-2525	45971-2625	45971-2725	45971-2825	45971-2925
		30	45971-3125	45971-3225	45971-3325	45971-3425	45971-3525	45971-3625	45971-3725	45971-3825	45971-3925
		40	45971-4125	45971-4225	45971-4325	45971-4425	45971-4525	45971-4625	45971-4725	45971-4825	45971-4925
		50	45971-5125	45971-5225	45971-5325	45971-5425	45971-5525	45971-5625	45971-5725	45971-5825	45971-5925
		15	45971-6125	45971-6225	45971-6325	45971-6425	45971-6525	45971-6625	45971-6725	45971-6825	45971-6925
		25	45971-7125	45971-7225	45971-7325	45971-7425	45971-7525	45971-7625	45971-7725	45971-7825	45971-7925
		35	45971-8125	45971-8225	45971-8325	45971-8425	45971-8525	45971-8625	45971-8725	45971-8825	45971-8925
B	PARTS WITH PEGS	POSITIONS	MATERIAL No	MATERIAL No	MATERIAL No	MATERIAL No	MATERIAL No	MATERIAL No	MATERIAL No	MATERIAL No	MATERIAL No
		19	45971-0125	45971-0225	45971-0325	45971-0425	45971-0525	45971-0625	45971-0725	45971-0825	45971-0925
		10	45971-1125	45971-1225	45971-1325	45971-1425	45971-1525	45971-1625	45971-1725	45971-1825	45971-1925
		20	45971-2125	45971-2225	45971-2325	45971-2425	45971-2525	45971-2625	45971-2725	45971-2825	45971-2925
		30	45971-3125	45971-3225	45971-3325	45971-3425	45971-3525	45971-3625	45971-3725	45971-3825	45971-3925
		40	45971-4125	45971-4225	45971-4325	45971-4425	45971-4525	45971-4625	45971-4725	45971-4825	45971-4925
		50	45971-5125	45971-5225	45971-5325	45971-5425	45971-5525	45971-5625	45971-5725	45971-5825	45971-5925
		15	45971-6125	45971-6225	45971-6325	45971-6425	45971-6525	45971-6625	45971-6725	45971-6825	45971-6925
		25	45971-7125	45971-7225	45971-7325	45971-7425	45971-7525	45971-7625	45971-7725	45971-7825	45971-7925
		35	45971-8125	45971-8225	45971-8325	45971-8425	45971-8525	45971-8625	45971-8725	45971-8825	45971-8925

THIS SHEET CONTAINS THE FOLLOWING OPTIONS:

HOUSING ROWS: 12 DIM C = .679
 SOLDER CHARGE: TIN
 PACKAGING: TAPE AND REEL PACKED PER PK-45971-002
 PEGS: WITH AND WITHOUT PEGS

SEE SHEET 1
 EC NO: UCP2009-0693
 DRWN:KSAMIEC
 CHKD:
 APPR:JCOMERC I
 2008/10/03
 2008/10/03
 2008/10/06
 DESCRIPTION
 REV

GENERAL TOLERANCES (UNLESS SPECIFIED)		
	mm	INCH
4 PLACES	± .005	± .0004
3 PLACES	± .005	± .0004
2 PLACES	± .005	± .0004
1 PLACE	± .005	± .0004
ANGULAR ± .005°		
DRAFT WHERE APPLICABLE MUST REMAIN WITHIN DIMENSIONS		

DIMENSION STYLE	
INCH ONLY	
DRAWN BY	DATE
TGREGOR I	2005/05/17
CHECKED BY	DATE
JCOMERC I	2005/05/17
APPROVED BY	DATE
JCOMERC I	2005/05/17
MATERIAL NO.	
SEE CHART	
SIZE	
A	

SCALE	DESIGN UNITS	THIRD ANGLE PROJECTION
1:1	INCH	
TITLE		
SEARAY RECEPTACLE ASSEMBLY .050 CENTERS		
MOLEX INCORPORATED		
DOCUMENT NO.	SHEET NO.	
SD-45971-001	17 OF 18	

6		5		4		3		2		1	
MATED STACK HEIGHT (REF)		3.5 mm		4.5 mm		5.0 mm		6.0 mm		6.5 mm	
D	PARTS WITHOUT PEGS	HEIGHTS	.199	.238	.258	.297	.317				
		POSITIONS	MATERIAL No	MATERIAL No	MATERIAL No	MATERIAL No	MATERIAL No				
		19	45971-0127	45971-0227	45971-0327	45971-0427	45971-0527				
		10	45971-1127	45971-1227	45971-1327	45971-1427	45971-1527				
		20	45971-2127	45971-2227	45971-2327	45971-2427	45971-2527				
		30	45971-3127	45971-3227	45971-3327	45971-3427	45971-3527				
		40	45971-4127	45971-4227	45971-4327	45971-4427	45971-4527				
		50	45971-5127	45971-5227	45971-5327	45971-5427	45971-5527				
		15	45971-6127	45971-6227	45971-6327	45971-6427	45971-6527				
		25	45971-7127	45971-7227	45971-7327	45971-7427	45971-7527				
C	PARTS WITH PEGS	POSITIONS	MATERIAL No	MATERIAL No	MATERIAL No	MATERIAL No	MATERIAL No				
		19	45971-0128	45971-0228	45971-0328	45971-0428	45971-0528				
		10	45971-1128	45971-1228	45971-1328	45971-1428	45971-1528				
		20	45971-2128	45971-2228	45971-2328	45971-2428	45971-2528				
		30	45971-3128	45971-3228	45971-3328	45971-3428	45971-3528				
		40	45971-4128	45971-4228	45971-4328	45971-4428	45971-4528				
		50	45971-5128	45971-5228	45971-5328	45971-5428	45971-5528				
		15	45971-6128	45971-6228	45971-6328	45971-6428	45971-6528				
		25	45971-7128	45971-7228	45971-7328	45971-7428	45971-7528				
		35	45971-8128	45971-8228	45971-8328	45971-8428	45971-8528				
45	45971-9128	45971-9228	45971-9328	45971-9428	45971-9528						

THIS SHEET CONTAINS THE FOLLOWING OPTIONS:

HOUSING ROWS: 12 DIM C = .679
 SOLDER CHARGE: TIN / LEAD
 PACKAGING: TAPE AND REEL PACKED PER PK-45971-002
 PEGS: WITH AND WITHOUT PEGS

SEE SHEET 1
 EC NO: UCP2009-0693
 DRWN:KSAMIEC
 CHKD:
 APPR:JCOMERC I
 2008/10/03
 2008/10/03
 2008/10/06
 DESCRIPTION
 REV

GENERAL TOLERANCES (UNLESS SPECIFIED)	mm	INCH	
	4 PLACES	± ---	± ---
	3 PLACES	± ---	± .010
	2 PLACES	± ---	± .015
	1 PLACE	± ---	± ---
ANGULAR ± ---°			
DRAFT WHERE APPLICABLE MUST REMAIN WITHIN DIMENSIONS			

DIMENSION STYLE		SCALE	DESIGN UNITS	THIRD ANGLE PROJECTION
INCH ONLY		1:1	INCH	
DRAWN BY	DATE	TITLE		
TGREGOR I	2005/05/17	SEARAY RECEPTACLE ASSEMBLY .050 CENTERS		
CHECKED BY	DATE			
JCOMERC I	2005/05/17			
APPROVED BY	DATE	MOLEX INCORPORATED		
JCOMERC I	2005/05/17	DOCUMENT NO. SD-45971-001		
MATERIAL NO.	SEE CHART		SHEET NO. 18 OF 18	
SIZE A	THIS DRAWING CONTAINS INFORMATION THAT IS PROPRIETARY TO MOLEX INCORPORATED AND SHOULD NOT BE USED WITHOUT WRITTEN PERMISSION			