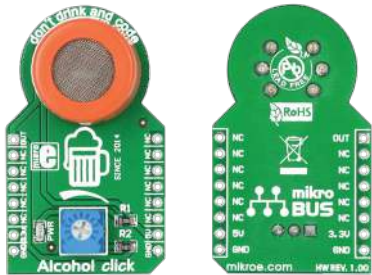




Alcohol click™

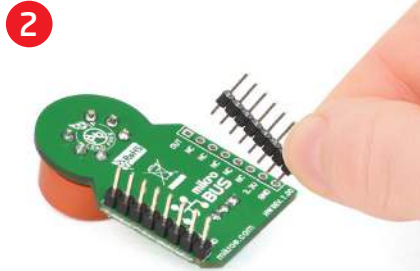
1. Introduction



Alcohol click™ is a simple solution for adding a high-sensitivity alcohol gas sensor to your design. The board features an MQ-3 sensor with a SnO₂ gas sensing layer, a calibration potentiometer, a **mikroBUS™** host socket, two jumpers and a power indicator LED. Alcohol click™ communicates with the target board through mikroBUS™ AN (OUT) line. Alcohol click™ is designed to use a 5V power supply only.

2. Soldering the headers

Before using your click™ board, make sure to solder 1x8 male headers to both left and right side of the board. Two 1x8 male headers are included with the board in the package.



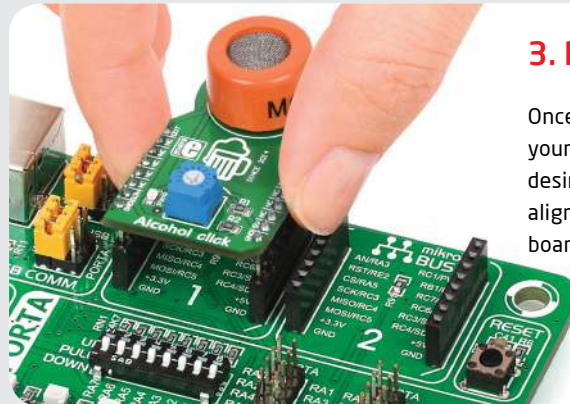
Turn the board upside down so that the bottom side is facing you upwards. Place shorter pins of the header into the appropriate soldering pads.



Turn the board upward again. Make sure to align the headers so that they are perpendicular to the board, then solder the pins carefully.

3. Plugging the board in

Once you have soldered the headers your board is ready to be placed into the desired mikroBUS™ socket. Make sure to align the cut in the lower-right part of the board with the markings on the silkscreen at the mikroBUS™ socket. If all the pins are aligned correctly, push...



4. Essential features

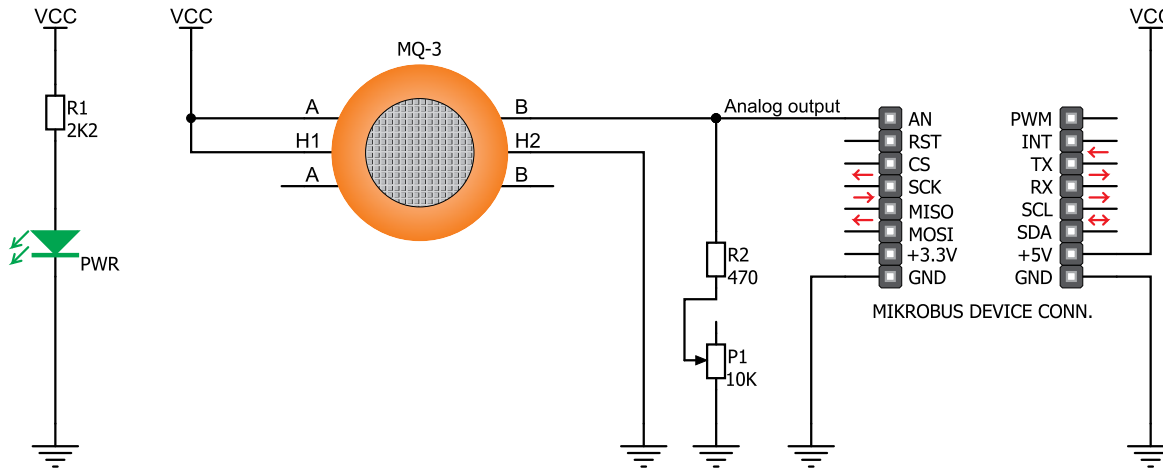
Alcohol click™ can detect alcohol gas levels in concentrations from 0.04 to 4mg/l. The MQ-3 alcohol sensor has a sensor layer made of Tin dioxide (SnO₂), an inorganic compound which has lower conductivity in clean air. The conductivity increases as the levels of alcohol gas rise. Alcohol click™ also contains a potentiometer that lets you adjust the sensor for the environment you'll be using it in.

click™
BOARD
www.mikroe.com

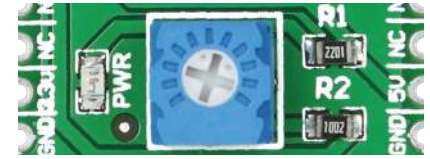
Alcohol click Manual
ver. 1.00



5. Alcohol click™ board schematic



6. Calibration potentiometer



To calibrate Alcohol click™ for optimum performance, use the on-board potentiometer to adjust the Load Resistance of the sensor circuit.

7. Code examples

Once you have done all the necessary preparations, it's time to get your click™ board up and running. We have provided examples for mikroC™, mikroBasic™ and mikroPascal™ compilers on our **Libstock** website. Just download them and you are ready to start.



8. Support

MikroElektronika offers **free tech support** (www.mikroe.com/support/) until the end of the product's lifetime, so if something goes wrong, we're ready and willing to help!