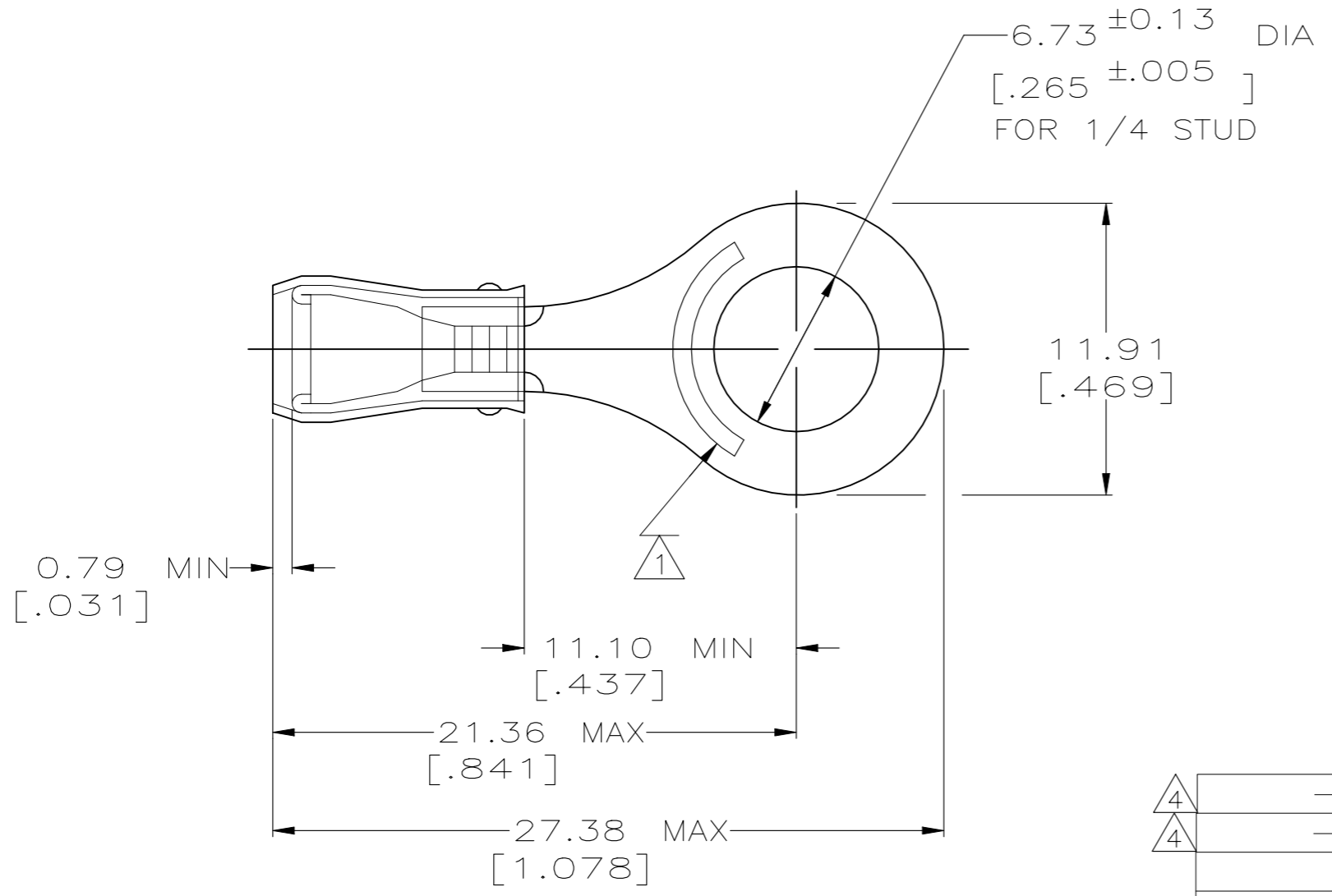


© - TE Connectivity. All Rights Reserved.

REVISIONS				
P	LTR	DESCRIPTION	DATE	DWN APVD
	V3	REVISED PER ECN-22-156403	03JUN2022	RK CSD

AMP WIRE RANGE	Listed	LR7189 Certified
22-16 AWG SOLID OR STRANDED	22-16 AWG SOLID OR STRANDED	22-16 AWG SOLID OR STRANDED



- 1 STAMP AMP 22-18* APPROX AS SHOWN
22-16 TERMINALS ARE STAMPED 22-18 IN
ACCORDANCE WITH MILITARY SPEC MIL-T-7928
COMMERCIAL WIRE RANGE IS 22-16
- 2 WIRE INSUL DIA, 2.67-3.56 [.105-.140]
- 3 TONGUE MATERIAL THK, 0.79±0.05 [.031±.002]
- 4 SUPERSEDED BY 8-31894-5

4	-	25	LOOSE PIECE,BLS	9-31894-4
4	-	5	LOOSE PIECE,BLS	8-31894-4
-	-	100	LOOSE PIECE, SPECIAL BOX	8-31894-5
-	-	100	LOOSE PIECE, BOX	8-31894-1
-	-	5000	ON TAPE, REEL	2-31894-2
-	MS 25036-150 CLASS 1	1000	LOOSE PIECE	31894
MILITARY P/N AND CLASS		QUANTITY	PACKAGE TYPE	PART NO

AMP INCORPORATED CUSTOMER SERVICE SYSTEMS		MAX RECOMMENDED OPERATING TEMPERATURE: 105°c [221°f]		THIS DRAWING IS A CONTROLLED DOCUMENT.		DWN DK SCHRUM 02/11/93		TE Connectivity					
PRODUCT INFORMATION OR AND TECHNICAL DOCUMENTS		PRODUCT INFORMATION CENTER 1-800-522-6752		DIMENSIONS: mm[INCHES]		TOLERANCES UNLESS OTHERWISE SPECIFIED: 0 PLC ± - 1 PLC ± - 2 PLC ± 0.20[.008] 3 PLC ± - 4 PLC ± - ANGLES ± -						CHK RE HERSEY 4/28/93	
FOR APPLICATION TOOLING INFORMATION		TOOLING ASSISTANCE CENTER 1-800-722-1111		VOLTAGE RATING: 300 V MAX		MATERIAL COPPER PER ASTM B-512 SLEEVE,RED,NYLON		APVD ML ELLIS 4/28/93		PRODUCT SPEC UL 486A		TERMINAL, RING TONGUE, PIDG™, WIRE SIZE: 22-16 AWG	
FOR ORDER ENTRY		1-800-526-5142		WIRE CROSS SECTIONAL AREA RANGE: 0.26-1.65mm² [509-3,260] CIR MILS		FINISH TIN PLATE PER ASTM B 545		PRODUCT SPEC NOT AVAILABLE		APPLICATION SPEC		RESTRICTED TO	
		THIS DRAWING IS A CONTROLLED DOCUMENT FOR AMP INCORPORATED. IT IS SUBJECT TO CHANGE AND THE CONTROLLING ENGINEERING ORGANIZATION SHOULD BE CONTACTED FOR THE LATEST REVISION.						WEIGHT -		SIZE A3		CAGE CODE 00779	
								DRAWING NO C-31894		SCALE 4:1		SHEET 1 OF 1	
								CUSTOMER DRAWING				REV V3	