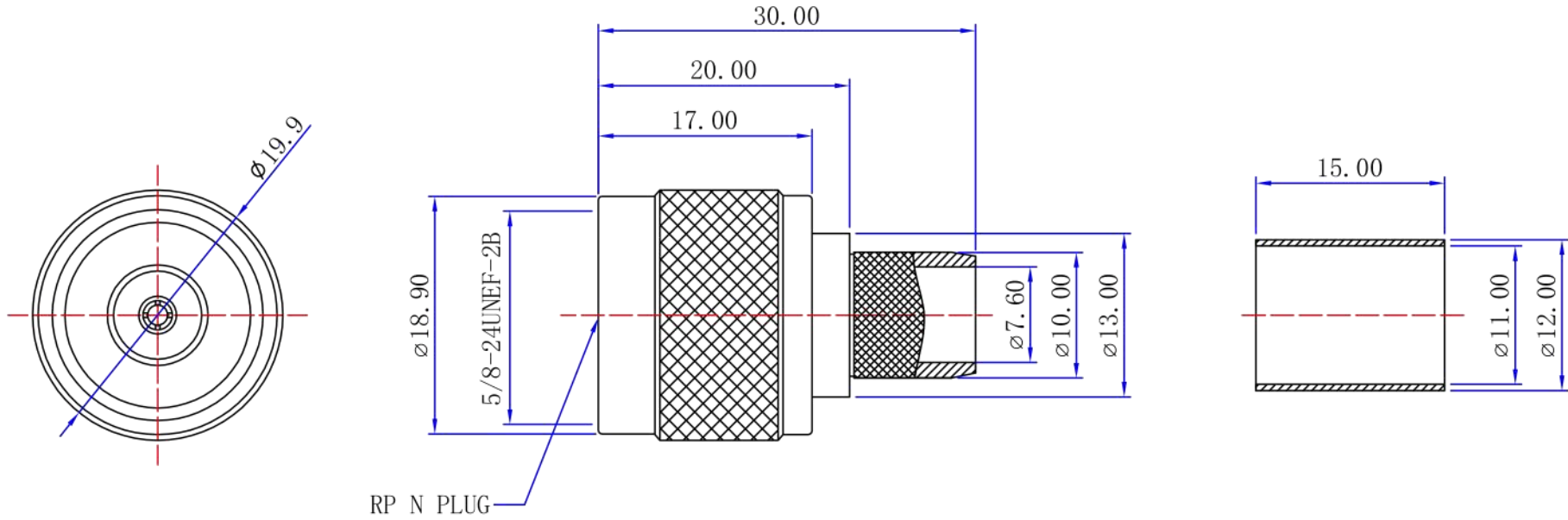




Product NO. BC-221-400

REV	DESCRIPTION	DWN	DATE	APPROVEN
R1.0	First issue	Gavin	2021/03/09	JIM. KING



**Specifications**

Impedance: 50 Ohms  
 Frequency Range: 0-6G  
 VSWR: 1.5MAX  
 Working Voltage: 1000 VRMS(max at sea level)  
 Dielectric Withstanding Voltage: 1500 vrms(max at sea level)  
 Insulation Resistance: 5000 MOhms min  
 Durability Mating: 500 Cycles min  
 Temperature Range: -65°C TO +165°C

No	Connector color
BC-221-400-RD	Body electrophoresis: Red
BC-221-400-BL	Body electrophoresis: Blue
BC-221-400-BK	Body electrophoresis: Black

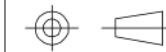
-TOLERANCES-  
UNLESS OTHERWISE  
SPECIFIED

UNLESS OTHERWISE SPECIFIED  
TOLERANCES FOR MILLIMETERS ARE:  
 0.5 - 8mm  $\pm$  0.20mm  
 8 - 30mm  $\pm$  0.25mm  
 30 - 120mm  $\pm$  0.30mm



**BIG CAT CABLES**

PART DESCRIPTION: RP MALE  
RP N CRIMP PLUG FOR LMR400 CABLE



Appd: JIM. KING	P/N: BC-221-400				
Check:	Date	Scale	Unit	Type	Page
Draw: Gavin	2021.03.09	Free	MM	Z	1/1

NO	DESCRIPTION	MATERIAL	FINISH	QTY
4	FERRULE	BRASS	NICKEL	1
3	PIN	BRASS	GOLD	1
2	INSUKATON	PTFE	NONE	1
1	BODY	BRASS	Electrophoresis	1

1

2

3

4

5

6