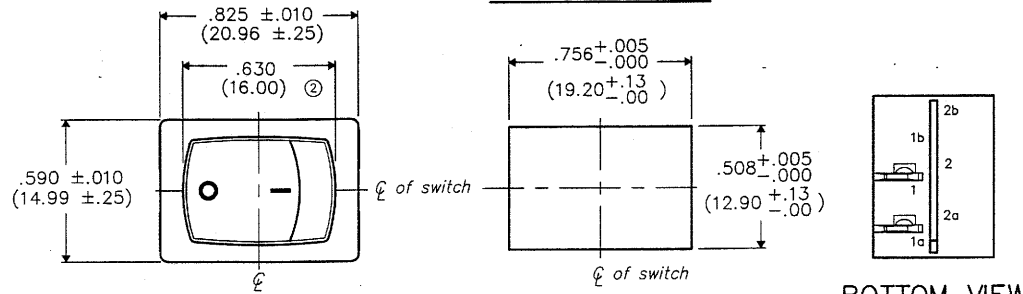


DIMENSIONS IN INCHES (MILLIMETERS)
DO NOT SCALE DRAWING

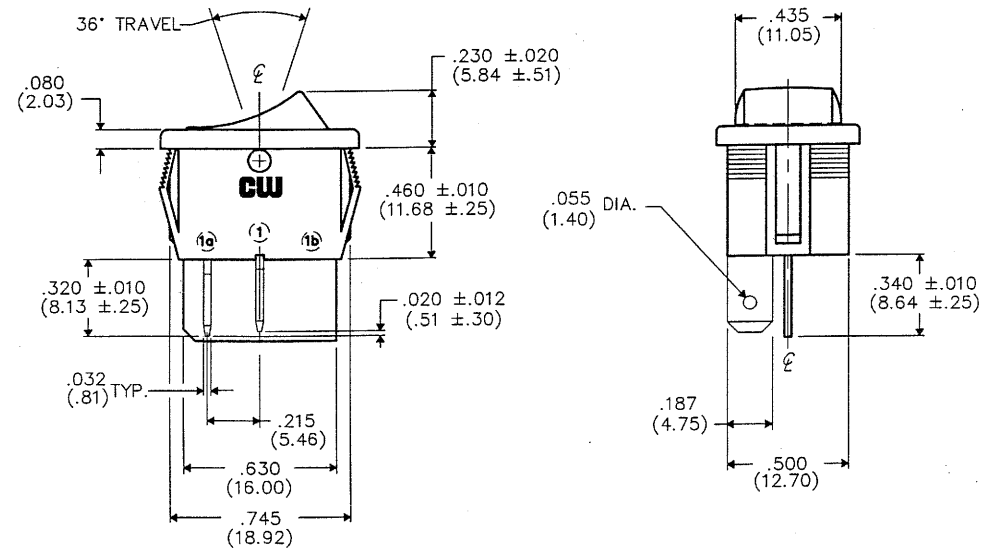
Dwg. No.

GRS-4011-0076

PANEL PIERCING



BOTTOM VIEW



MATERIAL:

- ROCKER KNOB- Nylon 94V-2
- HOUSING- Nylon 94V-2
- TERMINAL/STATIONARY/MOVING CONTACT- Copper alloy, and/or copper alloy silver plated.
- SPRING- music wire
- PLUNGER- plated steel

PERFORMANCE STANDARDS-

- Endurance- 100,000 cycles, no load, minimum
- 25,000 cycles at rated load minimum up to 16A 125 VAC
- 10,000 cycles at rated load minimum at 16A 250 VAC
- Contact Resistance- less than .01 Ohm at 10 mA (initial)
- Operating Temperature- 105° C maximum
- High Voltage Dielectric Withstanding Voltage- 2,500 V, 60 Hz for 1 minute between mounting surface and circuit connections

HUMIDITY- Insulation resistance > 10³ MOhms after 100 hours at 95% R.H. and 50° C followed by 1 hour dry at ambient room conditions

ELECTRICAL RATING-

- 16A 125-250VAC , 10A 14V (T)
- 3/4 H.P. 125-250VAC , 3A 125V (L)
- 10(4) 250 ~ μ

LISTING AGENCIES-



FORM-B4	REVISIONS	0	1	2
RELEASED: DGW 8-01-94 RBK 8-05-94	ADDED ALL SPEC. NOTES. 6-13-2002 GG JUN 13 2002			
REDRAWN: 6-13-2002 GG JUN 13 2002				
.630 WAS .640 IN TOP VIEW DGW 9-05-2008				
G.S. SEP 05 2008				

CW INDUSTRIES
Southampton, Pa. 18966

TOLERANCES UNLESS OTHERWISE SPECIFIED

2 Place Decimal ±.010	METRIC
3 Place Decimal ±.005	1 Place Dec. ±.25mm
Angles ±1°	2 Place Dec. ±.13mm

Made for: CW IND.

Drawn by: DGW 8-01-94

Checked by: GG 8-03-94

Approval: RBK 8-04-94

Title:	ASSEMBLY ROCKER SWIDGET S.P.- S.T.
Division:	SWITCH
Dwg. No.	GRS-4011-0076

MASTER