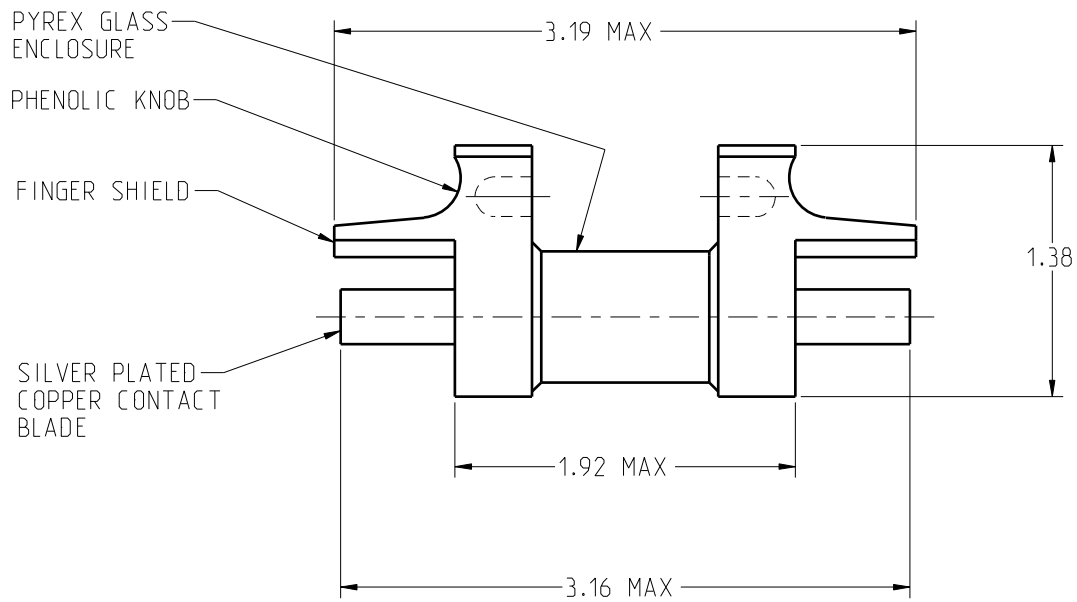
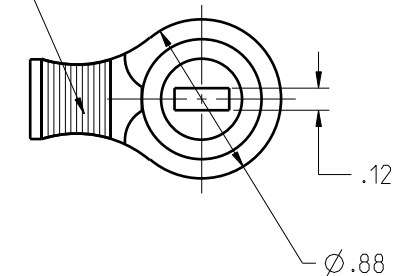
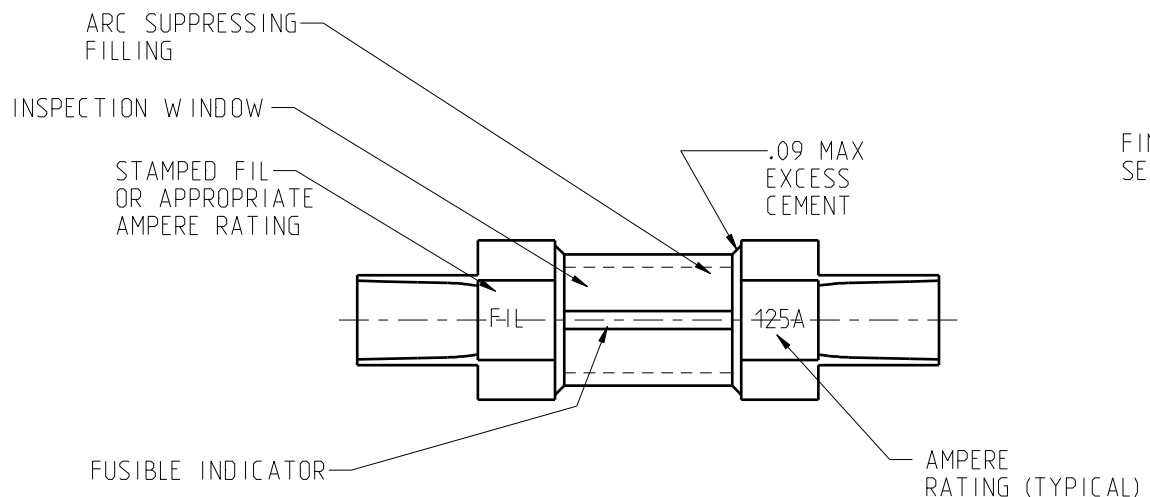


2

1

DWG. NO.
SA20635



APPLICATION:
120/208 VOLT 400 CYCLE
ALTERNATING CURRENT

REFERENCES:
LIMITER BASE F3H3 - SC20636
LIMITER ASS'Y - FC21634

MATERIAL:
AS NOTED.

B

THIS DRAWING IS A CONTROLLED DOCUMENT FOR SOURIAU USA, INC. IT IS SUBJECT TO CHANGE WITHOUT NOTIFICATION. CONTACT THE DOCUMENT CONTROL CENTER FOR THE LATEST REVISION.

THE INFORMATION CONTAINED IN THIS DRAWING IS CONFIDENTIAL AND MAY NOT BE DISCLOSED WITHOUT WRITTEN CONSENT FROM SOURIAU USA, INC.

K	REVISED PER ECN 10894	RKD 07-07-09	SDH 07-07-09
J	REVISED PER ECN10186	GRB 03-06-07	FLR 03-06-07
8	ADDED CORE HOLE PER ECW 1410	SE 8-12-83	CEB 8-12-83
7	DWG REACTIVATED SEE REV. REF PRINT ECC3817	LH 12-15-79	PP 12-15-79
6	OBSOLETE PER ECC3484	LH 1-24-78	SFP 1-24-78
5	REDRAWN WITHOUT CHANGE	BB 11-14-60	CRS 11-14-60
REV	DESCRIPTION	BY DATE	CHKD DATE

A

AMPERE RATING	CATALOG NUMBER
80	FIL80
100	FIL100
125	FIL125

LINEAR MEASURE: $\frac{INCH}{mm}$ INCH [mm]

THIRD ANGLE PROJECTION

TOLERANCES UNLESS OTHERWISE SPECIFIED

No. OF PLACES	INCH [mm]
ONE PLACE	$\pm .1$ [± 3]
TWO PLACES	± 0.02 [$\pm .5$]
THREE PLACES	± 0.010 [$\pm .25$]

ANGLES $\pm 1^\circ$

DRAWING TITLE
LIMITER AIRCRAFT FUSE

CAT NO. **FILL --- (SEE TABLE)**

CAGE NO: 09922 SIZE: B

CUSTOMER

INTERPRET THIS DRAWING IN ACCORDANCE WITH ASME Y14.5M - 1994.

SOURIAU
Connection Technology
www.souriau.com

APPROVAL	DRAWN: GRB	03-06-07
	CHKD : FLR	03-06-07
	DSGN : GRB	03-06-07
	MFG : DW/H	03-06-07
	QC : DK	03-06-07
DRAWING SCALE: 1:1		
DRAWING NO.		REV
SA20635		K
1 OF 1		

2

1

PRO-E