

NOTES:

1. MATERIALS AND FINISHES:

BODY, CONTACT & ANTI ROCK RING - BeCu, GOLD PLATING OVER
HIGH PHOSPHORUS ELECTROLESS NICKEL
INSULATOR - PTFE

2. ELECTRICAL:

- A. IMPEDANCE: 50 OHM
- B. FREQUENCY RANGE: DC - 3 GHz
- C. RETURN LOSS: -30dB MAX
- D. DIELECTRIC WITHSTANDING VOLTAGE: 500 VRMS, MIN.

3. PHYSICAL:

- A. DURABILTIY: 100 CYCLES MIN.
- B. TEMPERATURE RANGE: -65° C TO 165° C

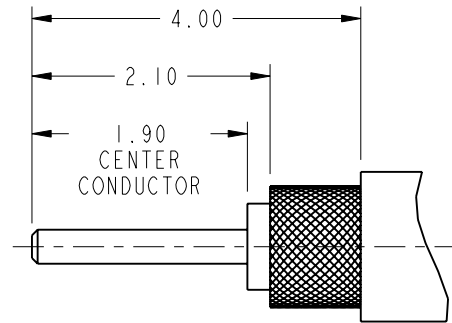
4. PACKAGING:

- A. QUANTITY: SINGLE PACK
- B. MARKING: BAG TO BE MARKED
"AMPHENOLRF, SMP-FS-C09, AND DATE CODE"

THIRD ANGLE PROJ.

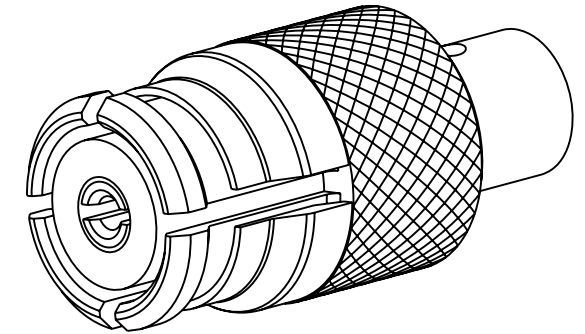
REVISIONS

REV	DESCRIPTION	DATE	ECO	APPR
A	RELEASE TO MFG	26-Apr-11	48535	CPM

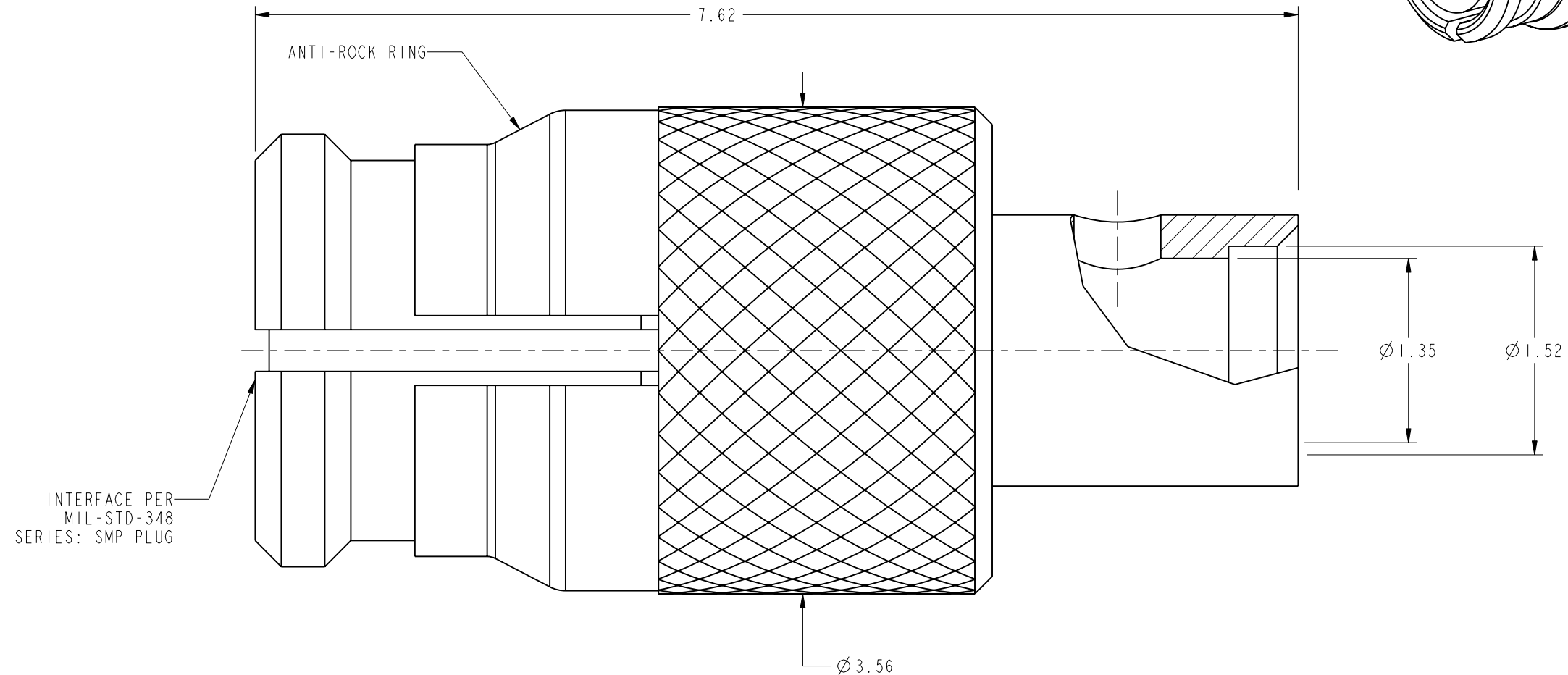


SCALE 15.000

**RECOMMENDED
CABLE STRIPPING DIMENSIONS**



SCALE 10.000



CUSTOMER OUTLINE DRAWING
ALL OTHER SHEETS ARE FOR INTERNAL USE ONLY

UNLESS OTHERWISE SPECIFIED, DIMENSIONS ARE IN METRIC AND TOLERANCES ARE:
 <0.5mm ±0.05mm 0.5 - 6mm ±0.1mm 6 - 30mm ±0.2mm 30 - 120mm ±0.3mm ANGLES ±1°

NOTICE - These drawings, specifications, or other data (1) are, and remain the property of Amphenol corp. (2) must be returned upon request; and (3) are confidential and not to be disclosed to any person other than those to whom they are given by Amphenol Corp. the furnishing of these drawings, specifications, or other data by Amphenol Corp., or to any other person to anyone for any purpose is not to be regarded by implication or otherwise in any manner licensing, granting rights to permitting such holder or any other sperson to manufacture, use or sell any product, process or design, patented or otherwisle, that may in any way be related to or disclosed by said drawings, specifications, or other data.

MATERIAL SEE NOTES	DRAWN S.LI	DATE 26-Apr-11	TITLE ASSY, SMP PLUG .047" S.R. CABLE		Amphenol RF Danbury CT USA, Tainan, Taiwan, Shenzhen, China www.amphenolrf.com	
REFERENCE EAR # 3793	ENGINEER R. RAJAN	DATE 23-Dec-09				
CONFIGURATION LEVEL: <input type="checkbox"/> <input type="checkbox"/>	APPROVED S. HSIEH	DATE 26-Apr-11	SCALE: 25.0:1.0	SHEET	2 OF 2	DRAWING NO. SMP-FS-C09
FINISH	Root Folder/SMP/SMP-FS-C09		DWG SIZE B	REV A		ITEM NO. SMP-FS-C09 PART NO. SMP-FS-C09