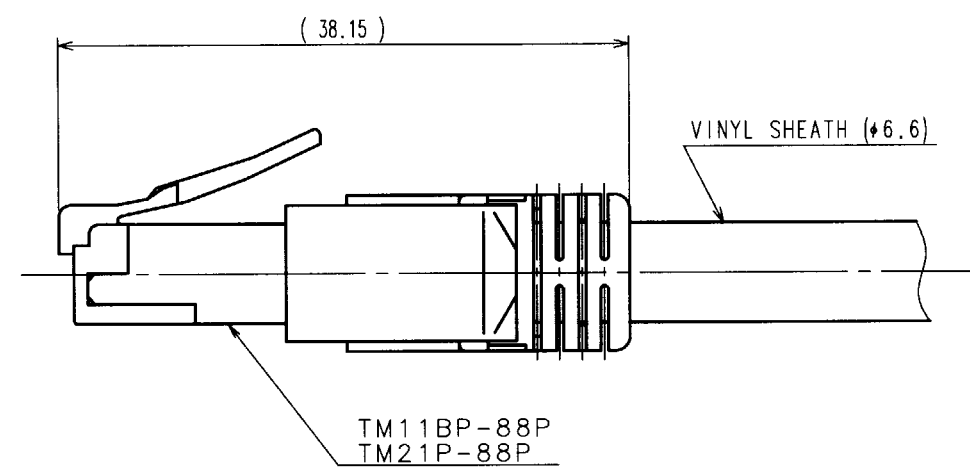
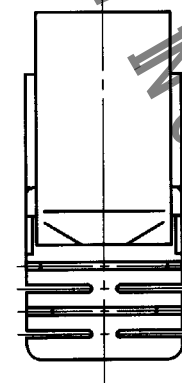
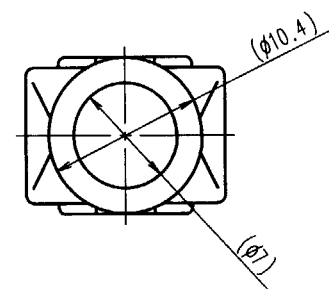
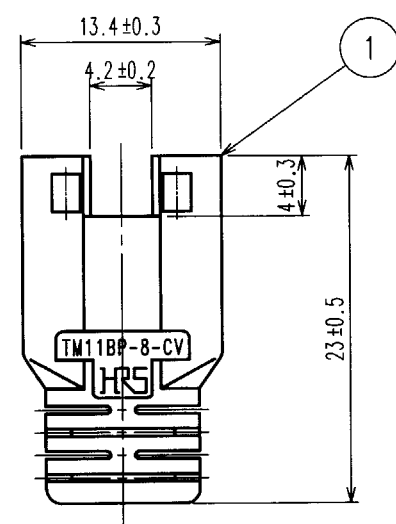
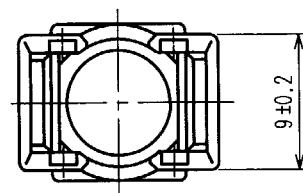


COUNT	DESCRIPTION OF REVISIONS	BY	CHKD	DATE	COUNT	DESCRIPTION OF REVISIONS	BY	CHKD	DATE
△				..	△				..
△				..	△				..
△				..	△				..

ASSEMBLED



NOTES: 1. () INDICATES THE REFERENCE DIMENSIONS.
 2. COLOR NO.S ARE SHOWN IN TABLE-1.
 3. PER BAG: 50 PIECES.

TABLE-1

PART NO.	HRS NO.	COLOR
TM11BP-8-CV (11)	CL222-2898-6-11	LIGHT BEIGE
TM11BP-8-CV (12)	CL222-2898-6-12	MEDIUM GRAY
TM11BP-8-CV (13)	CL222-2898-6-13	BLACK
TM11BP-8-CV (14)	CL222-2898-6-14	NATURAL LIGHT GRAY
TM11BP-8-CV (15)	CL222-2898-6-15	RED
TM11BP-8-CV (16)	CL222-2898-6-16	GREEN
TM11BP-8-CV (17)	CL222-2898-6-17	BLUE
TM11BP-8-CV (18)	CL222-2898-6-18	YELLOW
TM11BP-8-CV (19)	CL222-2898-6-19	ORANGE

TO
Q2

1	POLYPROPYLENE	2			
NO.	MATERIAL	FINISH, REMARKS	NO.	MATERIAL	FINISH, REMARKS
CODE NO. (OLD)		DRAWN	DESIGNED	CHECKED	APPROVED
		S. Sato	S. Sato	T. Watanabe	H. Miura
		'00-10-06	'00-10-06	'00-10-06	00.10.06
DRAWING NO.		PART NO.			
EDC3-122818-01		TM11BP-8-CV(1※)			
SCALE		CODE NO.			
2 : 1		CL222-2898-6-1※			
UNITS		HRS			
mm		HIROSE ELECTRIC CO., LTD			

