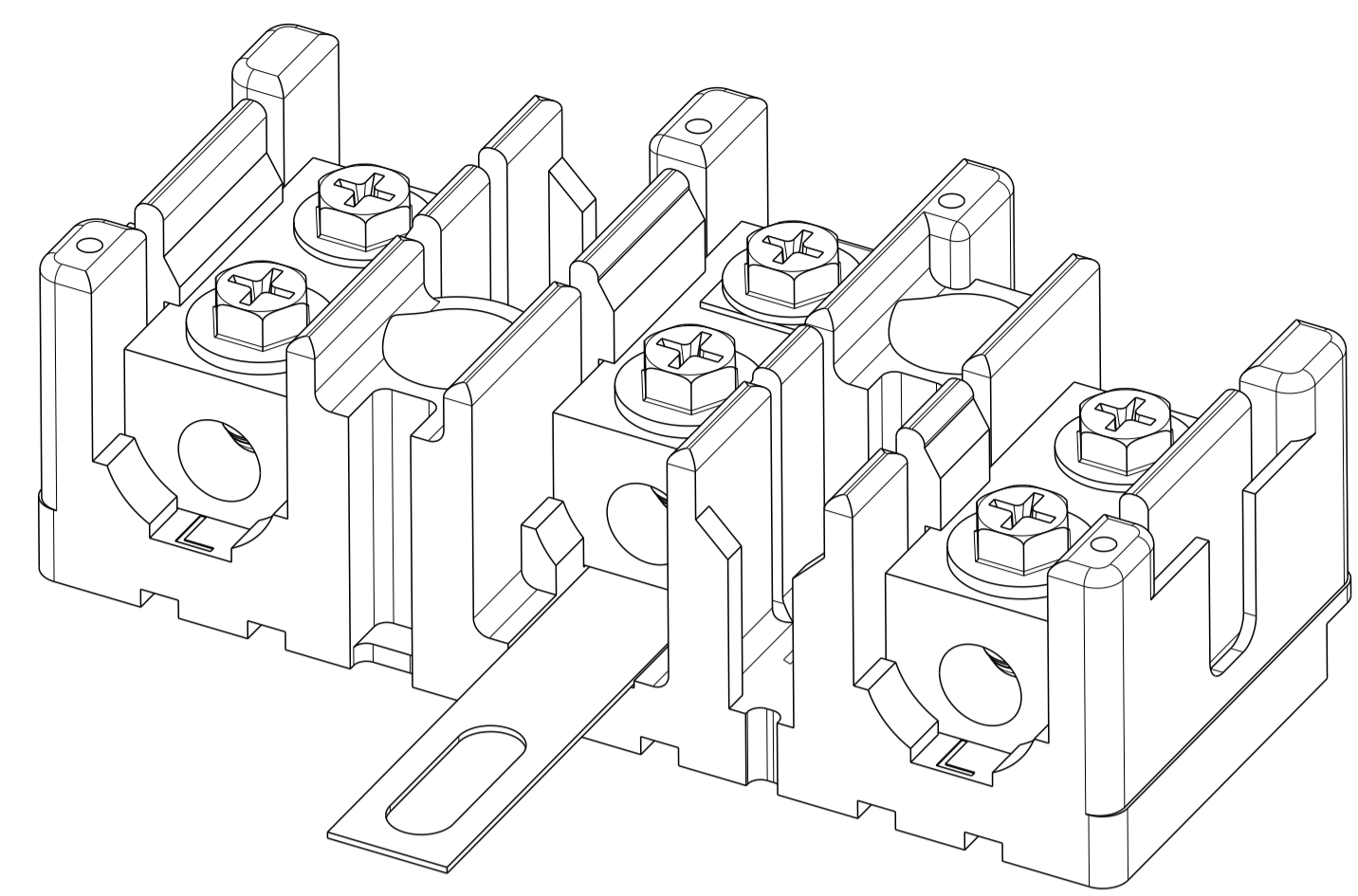
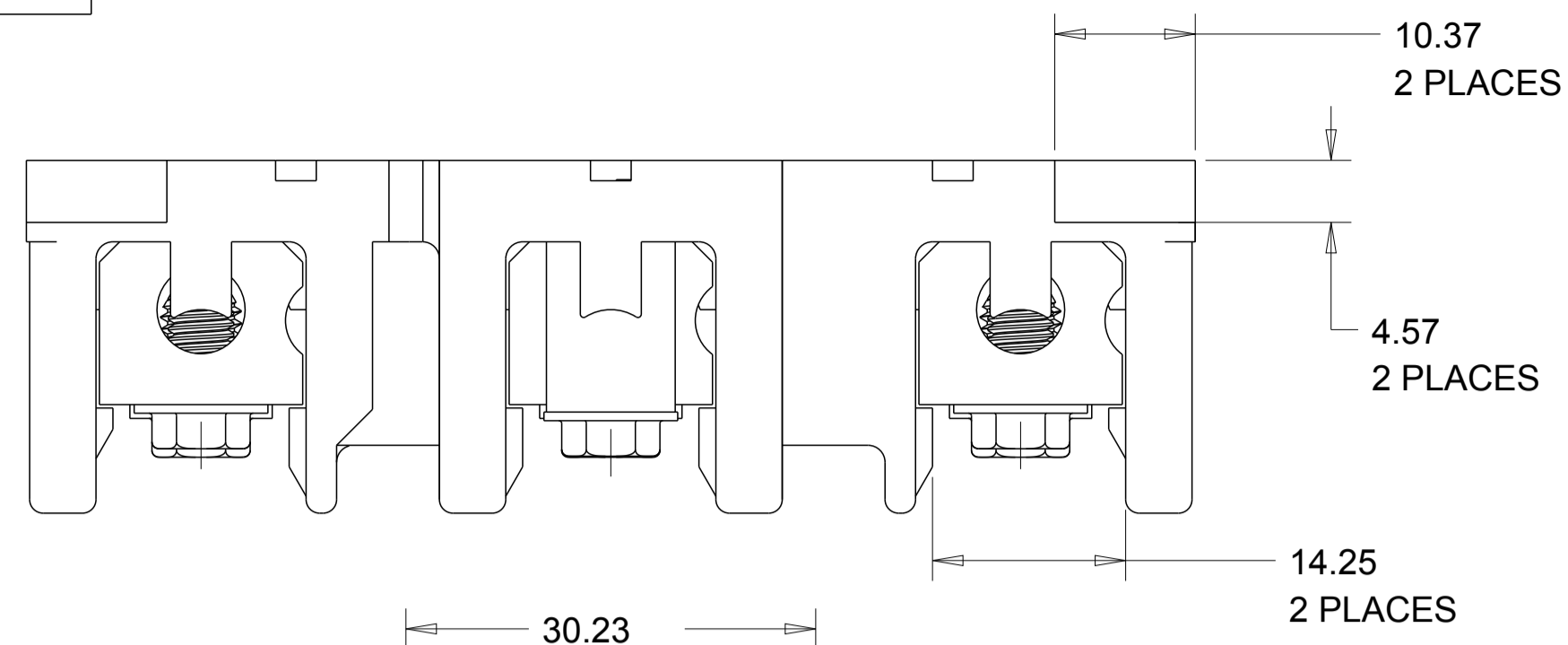
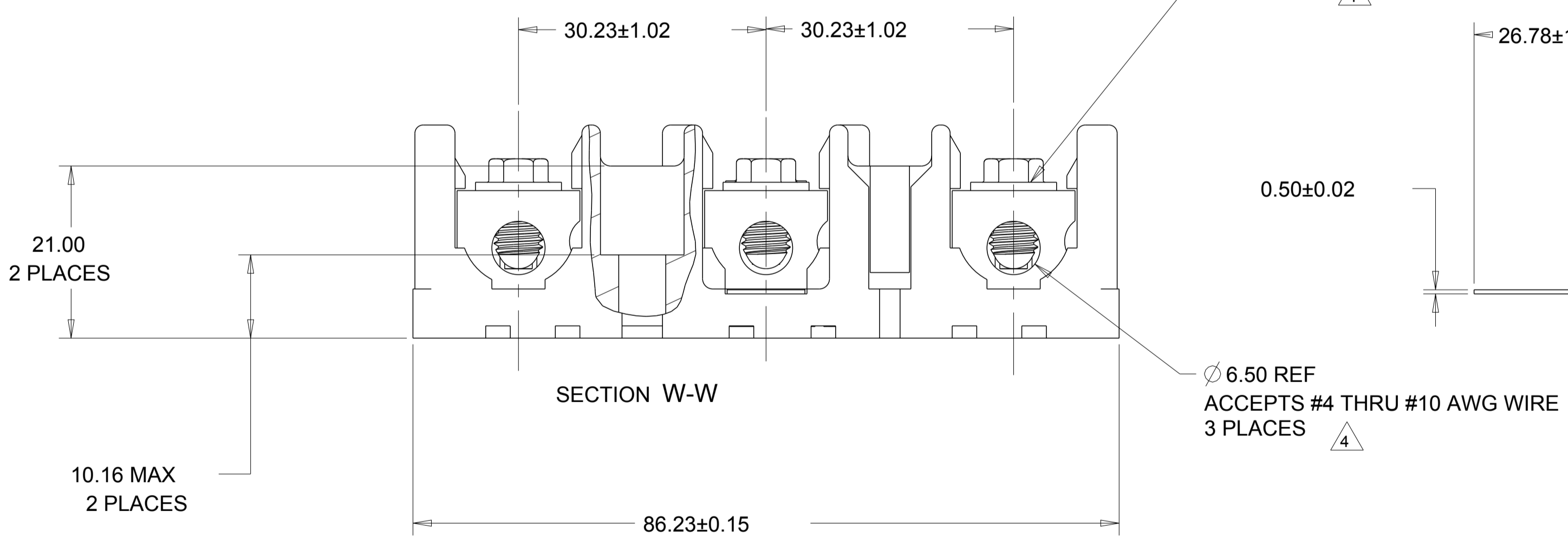
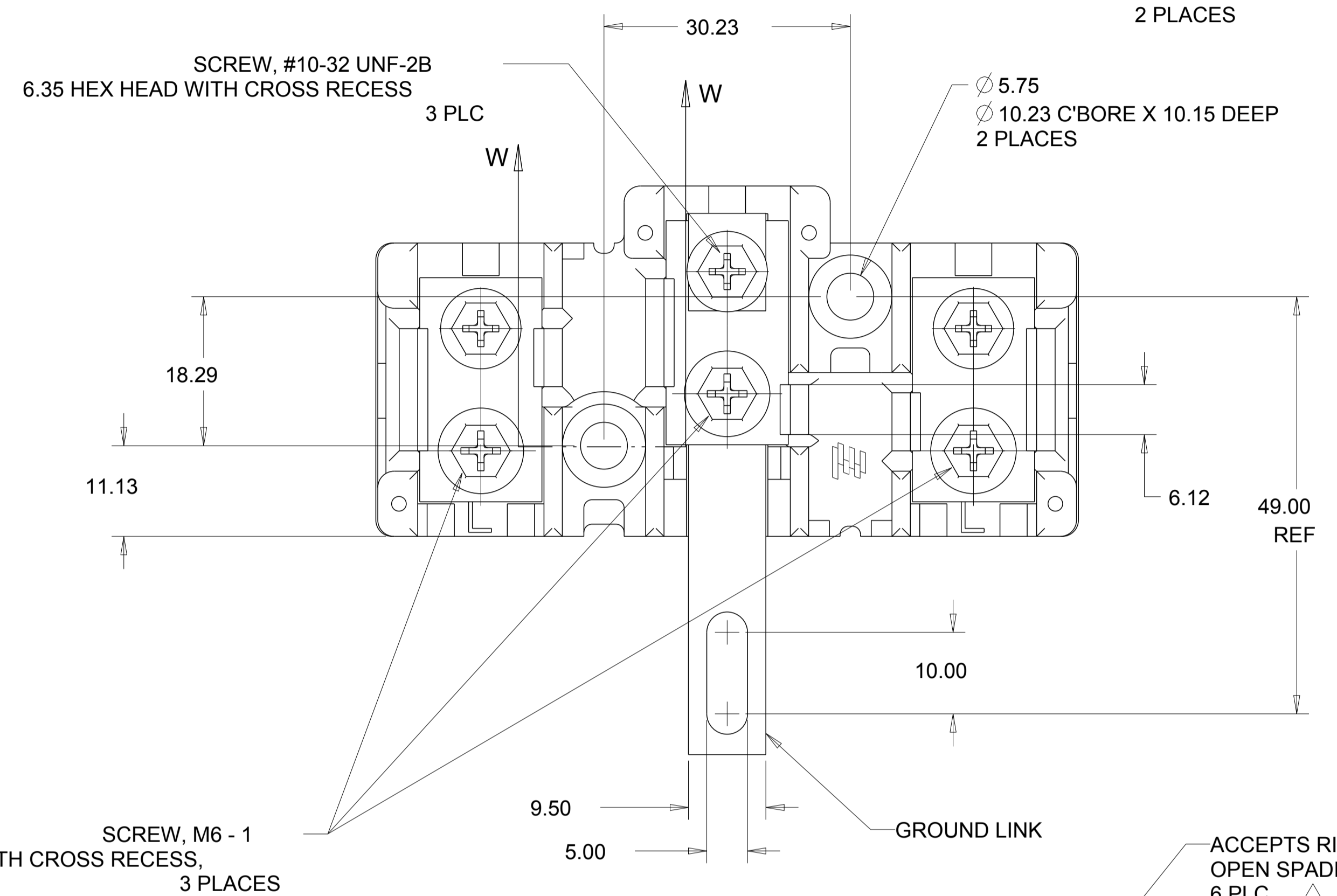


LOC		DIST		REVISIONS			
P	LTR	DESCRIPTION	DATE	DWN	APPD		
AF	50						
H4		REVISED PER ECR-12-009158	23MAY2012	KH	GJ		
H5		REVISED PER ECR-17-007883	2JUNE2017	ST	TD		
H6		REVISED PER ECR-17-012461	31AUG2017	ST	TD		



SCALE 2:1

- 1 MATERIAL:
 HOUSING: PBT, UL 94 V-0, COLOR:BLACK
 SCREWS (6mm AND #10): STEEL
 CLAMP BLOCK: ALUMINUM
 GROUND LINK: COPPER
- 2 FINISH:
 6mm SCREW: ZINC
 #10-32 SCREW: NICKEL
 CLAMP BLOCK: TIN
- 3 REFER TO TYCO ELECTRONICS DRAWING
 C-1604281 FOR REQUIRED SCREW.
- 4 DESIGNED FOR USE IN ELECTRIC RANGES AND RECOGNIZED UNDER
 UL/CSA REQUIREMENTS; CONDITIONS OF ACCEPTABILITY APPLY
 PER UL FILE, SEE APPLICATION SPECIFICATION.
- 5 SCREWS PACKAGED 3 PER POLY BAG.
- 6 SCREWS BULK PACKAGED, 360 PER POLY BAG
- 7 SEE DRAWING C-1604281 FOR REQUIRED SCREWS
- 8 PRELIMINARY - NOT FOR PRODUCTION
- 9 OBSOLETE



-	SUPPLIED UNINSTALLED	6	3	SUPPLIED UNINSTALLED	6	1604532-9	8
3	SUPPLIED UNINSTALLED	6	-	NOT SUPPLIED	3	1604532-8	
-	NOT SUPPLIED	7	3	INSTALLED		1604532-7	8
3	SUPPLIED UNINSTALLED	6	3	INSTALLED		1604532-6	9
-	NOT SUPPLIED	7	-	NOT SUPPLIED	3	1604532-5	9
3	INSTALLED		3	SUPPLIED UNINSTALLED	5	1604532-4	8
3	SUPPLIED UNINSTALLED	5	3	INSTALLED		1604532-3	8
3	INSTALLED		3	INSTALLED		1604532-2	9
-	NOT SUPPLIED	7	3	SUPPLIED UNINSTALLED	5	1604532-1	8
QTY	#10-32 UNF		QTY	M6 - 1		ASSEMBLY PART NUMBER	
SCREW ASSEMBLY OPTIONS							

THIS DRAWING IS A CONTROLLED DOCUMENT.

DIMENSIONS: min

TOLERANCES UNLESS OTHERWISE SPECIFIED:

0 PLC	±
1 PLC	±0.25
2 PLC	±0.50
3 PLC	±0.75
4 PLC	±1.00
ANGLES	±1°

MATERIAL: 1

FINISH: 2

DWN: R FLAG 09NOV2004
 CHK: D DECKER 09NOV2004
 AP'D: D DECKER 09NOV2004

NAME: ASSEMBLY, TERMINAL BLOCK LOW PROFILE POWER BLOCK

PRODUCT SPEC: 108-2136
 APPLICATION SPEC: 114-13100

SIZE: A1 00779
 CAGE CODE: C=1604532
 DRAWING NO: 1604532

RESTRICTED TO: -

CUSTOMER DRAWING

SCALE: 2:1 SHEET 1 OF 1 REV H6