

Ratings

Voltage: 300 V
 Operating temperature: -20° to 80 °C

Conductor

Gauge: 18 AWG, 0.82 mm²
 Material: tinned copper strands
 Strand size: Ø 0.16 mm
 Strand count: 41
 Max resistance at 20 °C: 23.2 Ω/km

Insulator



Material: PVC
 Color: white
 Outer diameter: 2.05 ±0.10 mm
 Min resistance at 20 °C: 10 MΩ/km

Shield

Type: spiral
 Material: tinned copper strands
 Strand size: Ø 0.16 mm
 Strand count: 41 ±2

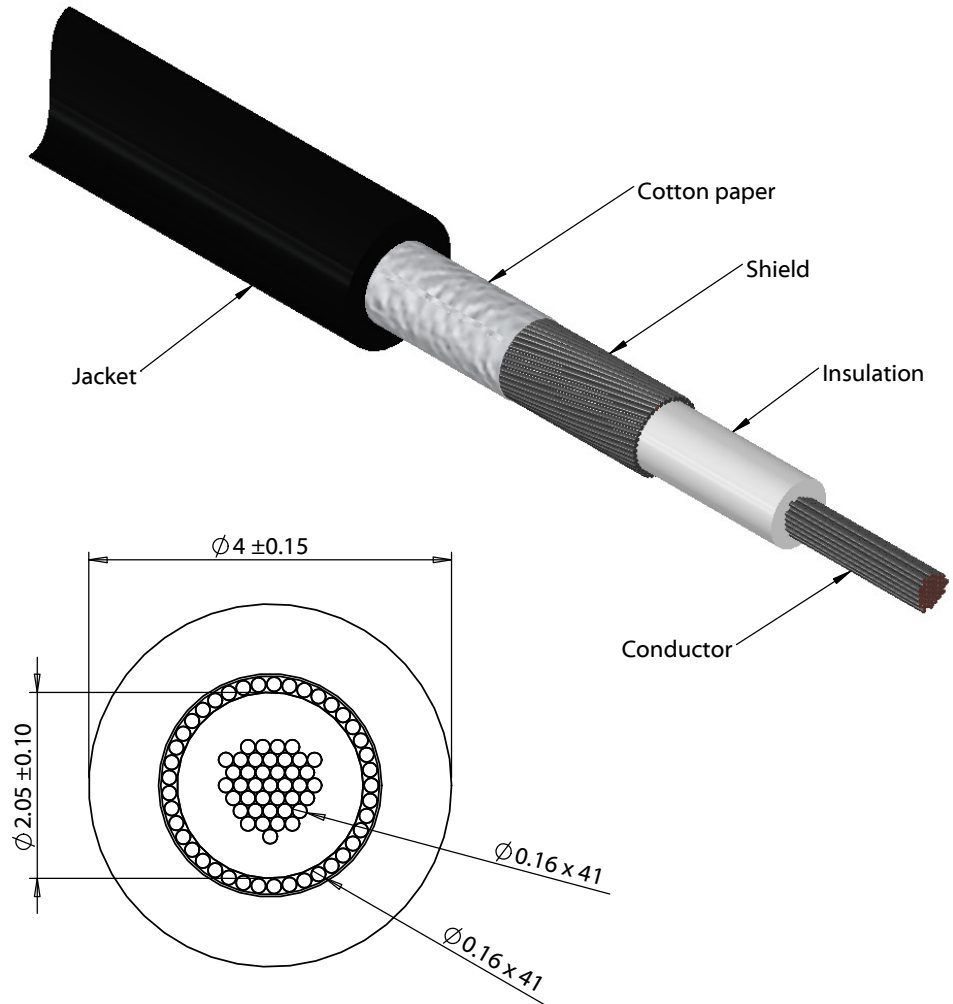
Outer jacket

Material: TPU, 80 °C
 Type: extruded, non-integral
 Color: black
 Diameter: 4.0 ±0.20 mm

Wire marking: E339579  AWM STYLE 10846 80°C
 300V VW-1 --- C  AWM I/II A 80°C 300V FT1 TENSILITY

Tests

Voltage test: 300 V
 Spark test: 3.0 kV
 Tensile strength: 1.05 kgf/mm²
 After aging at 113 ±2 °C for 7 days:
 Minimum tensile strength 70 % original
 Minimum elongation 65 % original
 Heat shock: 121 ±1 °C /1 hour, no observed degradation
 Deformation: 121 ±1 °C /1 hour, ≤ 50 %
 Cold bend: -10 ±1 °C /1 hour, no observed cracking
 Flammability: FT1, VW-1
 Dielectric test: 1500 V ac for 1 minute without breakdown



| REVISION | DATE | DESCRIPTION |
|----------|-----------|-------------------------------------|
| A | 9/2/2015 | Initial release |
| A1 | 9/14/2015 | Upgraded fire rating to VW-1/ FT1 |
| A2 | 3/10/2016 | Updated operating temperature range |
| | | |
| | | |

PREPARED:

GL

2016.03.11
 10:12:50
 -08'00'

NOTES

RoHS and REACH compliant

Function test: no open, no short circuit, no intermittent

Drawing in third angle projected

VERIFIED:

PS

Digitally signed by PS
 DN: cn=PS, o, ou,
 email=DQA04@tensility.com,
 c=US
 Date: 2016.03.11 11:26:54
 -08'00'

DESCRIPTION:

Wire, 1C TS, 18 AWG, UL10846, 300V, 80C, 4.0 mm, shielded, VW-1, TPU

DIMENSIONS ARE IN MILLIMETERS

TOLERANCES:
 X: ± 0.5 mm
 X.X: ± 0.3 mm
 X.XX: ± 0.05 mm

TENSILITY

20802 Sockeye Place #130
 Bend, OR 97701 USA
 tel 541.323.3228 fax 541.323.4202
 800 877.670.7118 www.tensility.com

SIZE

A

PART NUMBER

30-00558

SCALE: 12:1

SHEET 1 OF 1