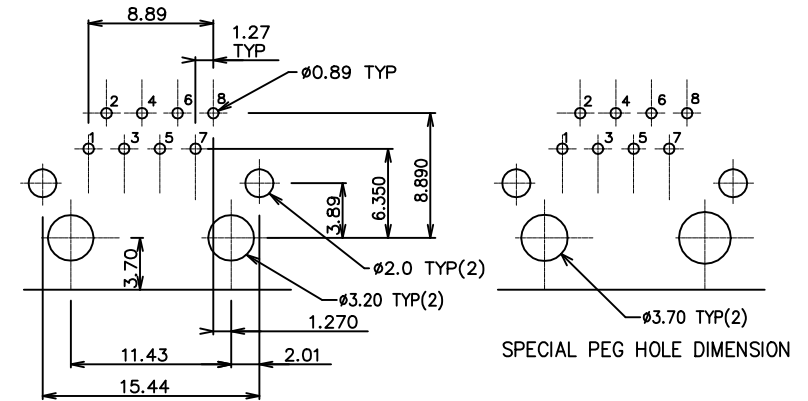
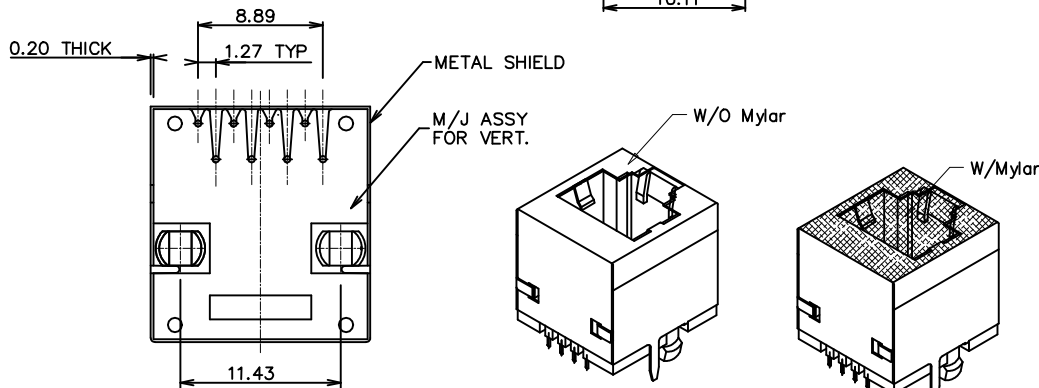
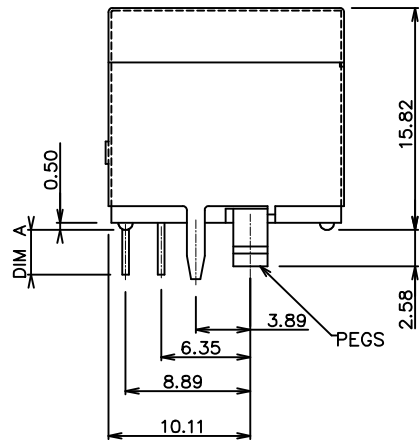
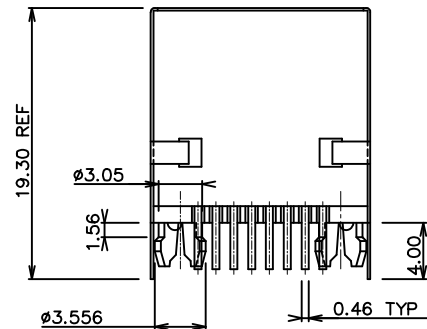


P/N	WIRE NUMBERS LOADED	PLATING	DIM A
91139-088	ALL	5u" Au + high performance lubricant	3.20±0.50
91139-588	ALL	50 u" G.X.T.	3.20±0.50
91139-088LF	ALL	5u" Au + high performance lubricant	3.20±0.50
91139-588LF	ALL	50 u" G.X.T.	3.20±0.50
91139-088SLF	ALL	5u" Au + high performance lubricant	1.50±0.30
91139-088SHLF	ALL	5u" Au + high performance lubricant	1.50±0.30
91139-188SHLF	ALL	15u" G.X.T.	1.50±0.30
91139-188SHTLF	ALL	15u" G.X.T.	1.50±0.30

PLATING CODE WITH MYLAR
LEAD FREE PRODUCT NO. FOR TAPE & REEL PACKAGE MEETS PIP PROCESS PRODUCT NO.



RECOMMENDED PC BOARD LAYOUT
PCB GENERALLY TOLERANCE: ±0.05

③ PC BOARD LAYOUT FOR TAPE & REEL PACKAGE
PCB GENERALLY TOLERANCE: ±0.05

NOTES:

- RECOMMENDED P.C.B THICKNESS 1.60 MM EXCEPT -XXXSLFF
- 91139 -XXXSLF & -XXXSHLF ARE CUSTOMER SPECIAL REQUIREMENT, THERE IS A MYLAR, AND CUSTOMER CHOOSES HIS OWN PCB.
- 91139 -XXXSHTLF IS TAPE & REEL PACKAGE; PCB LAYOUT HAVE SPECIAL PEG HOLE DIMENSION.
- HOUSING MAT'L: NYLON UL 94V-0, BLACK.
- CONTACTS: COPPER ALLOY, PLATING SEE TABLE.
- METAL SHELL MATERIAL:
COPPER ALLOY, 0.20mm THICK.
FOR 91139-XXX: FINISH: TIN-LEAD 100u" THICK MIN.
FOR 91139-XXX(S)LF: FINISH: UNDERPLATING WITH 50u" MIN. NICKEL, OVERPLATING WITH 80u" MIN PURE BRIGHT TIN.
FOR 91139-088SHLF: FINISH: UNDERPLATING WITH 50u" MIN. NICKEL, OVERPLATING WITH 80u" MIN PURE BRIGHT TIN.
FOR 91139-188SHLF: FINISH: UNDERPLATING WITH 50u" MIN. NICKEL, SELECT PLATING MATT TIN ON METAL SHELL FEET.
- PACKAGING: GS-14-351, USE TRAY FOR DASH NO. WITHOUT "T".
USE TAPE & REEL PACKAGE FOR DASH NO. WITH "T", SUCH AS 91139-188SHTLF.
- PRODUCT SPEC: GS-12-083.
- IF LF P/N THE PRODUCT MEETS EUROPEAN UNION DIRECTIVES AND OTHER COUNTRY REGULATIONS AS DESCRIBED IN GS-22-008.
- IF LF P/N THE HOUSING WILL WITHSTAND EXPOSURE TO 260°C PEAK TEMPERATURE FOR 10 SECONDS IN A WAVE SOLDER APPLICATION WITH A 1.60mm MINIMUM THICK CIRCUIT BOARD.
- IF LF P/N PACKAGING MEETS GS-14-920 SPECIFICATION.

mat'l. code		surface tolerance		projection		product family	
		ISO 1302 ✓ ISO 406/ISO 110				MJ HPL580	
ltr ecn no dr date		tolerances unless otherwise specified		mm		title	
P ELX-N-41419 YS 5/27/21		.0±.3 .00±.15 .000±.05		mm		8 POS VERT PCB M/J ASSY SHIELDED,WITHOUT PANEL STOP	
J ELX-N-010984 SH MIAO 3/14/12		0±2"		scale 2:1		dwg no sheet1 of 1 size	
K ELX-N-13758 HE 2012-12-26		dr STU STONER 921029		Amphenol FCI		91139 A4	
L ELX-N-21774 NICK 8/26/15		eng R.DOUTRICH 921029					
M ELX-N-23838 NICK 4/12/16		chr STU STONER 921029					
N ELX-N-36538 DW 3/27/20		appd STU STONER 921029				type Product Customer Drawing	
sheet revision N							
index sheet 1							