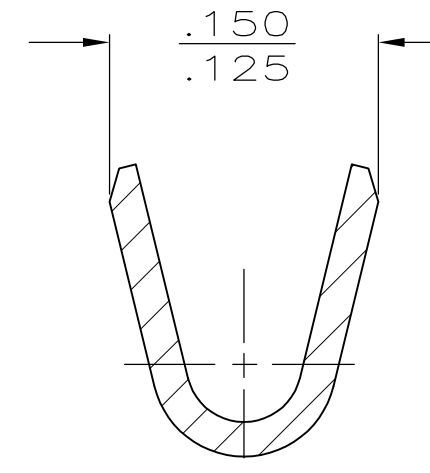
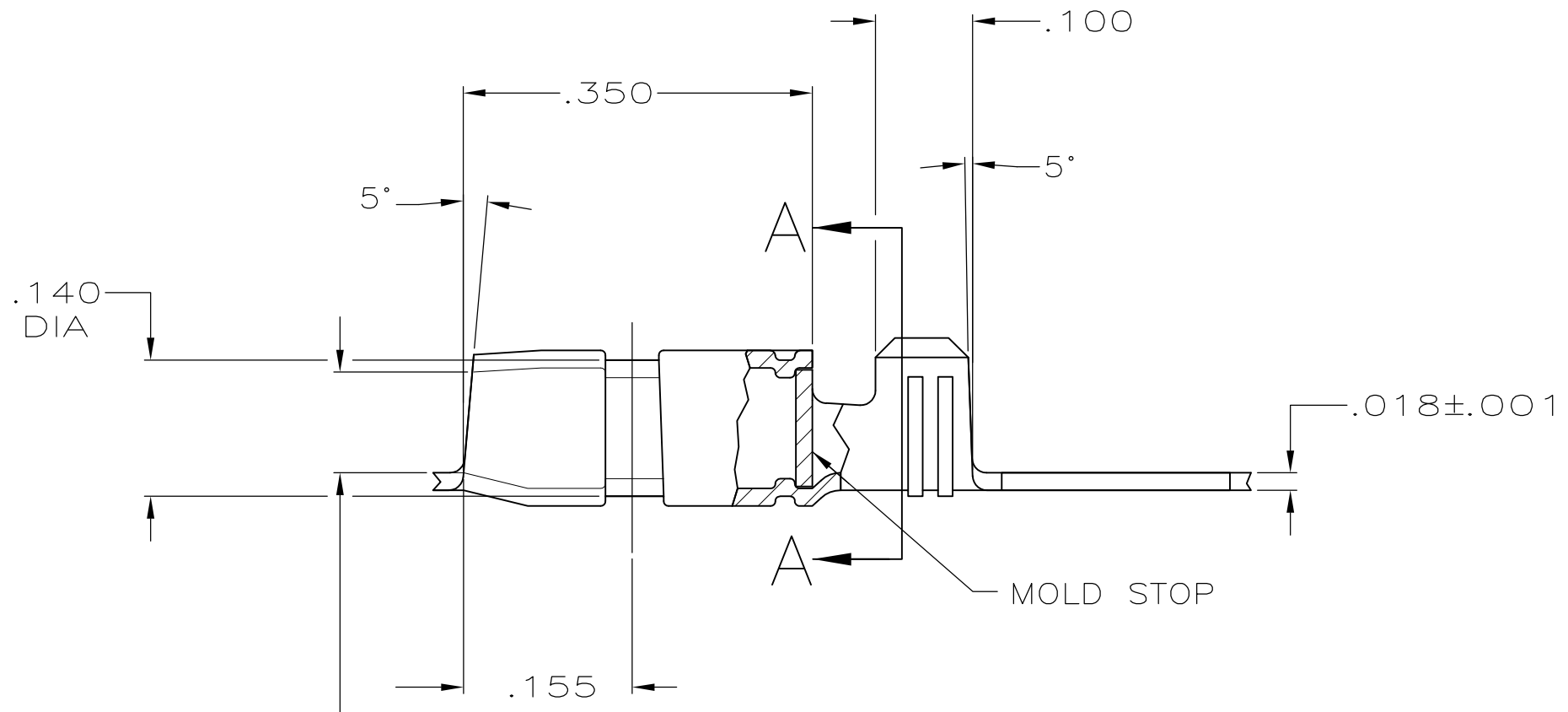
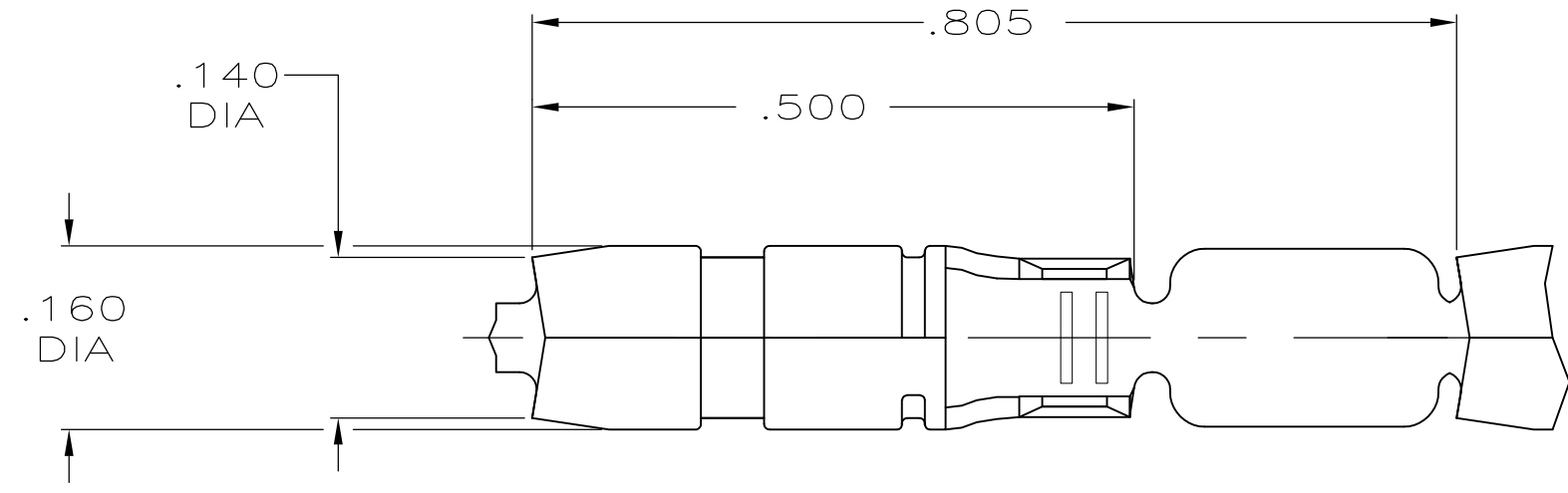


THIS DRAWING IS UNPUBLISHED. RELEASED FOR PUBLICATION  
 © COPYRIGHT BY TYCO ELECTRONICS CORPORATION. ALL INTERNATIONAL RIGHTS RESERVED.

LOC	DIST	REVISIONS					
AF	50	P	LTR	DESCRIPTION	DATE	DWN	APVD
			F	REVISED PER ECR-09-007435	01APR09	HMR	DD

- 1 CONTINUOUS STRIP ON REEL.
- 2 WIRE SIZE IS 18-14 AWG.
- 3 PRELIMINARY - NOT FOR PRODUCTION



TIN PLATE	3 1217606-2
PRE-TIN PLATE	1217606-1
FINISH	PART NO.

THIS DRAWING IS A CONTROLLED DOCUMENT.		DWN	JR RUTH	07MAR01	Tyco Electronics Corporation Harrisburg, PA 17105-3608		
DIMENSIONS: INCHES		CHK	MS FEHER	07MAR01			
		TOLERANCES UNLESS OTHERWISE SPECIFIED:		APVD	SHUR PLUG, .156 DIA		
MATERIAL		FINISH		PRODUCT SPEC	SIZE		
081 BRASS		SEE TABLE		APPLICATION SPEC	CAGE CODE		
				WEIGHT	DRAWING NO		
				CUSTOMER DRAWING	RESTRICTED TO		
					SCALE		
					SHEET		
					REV		
					F		