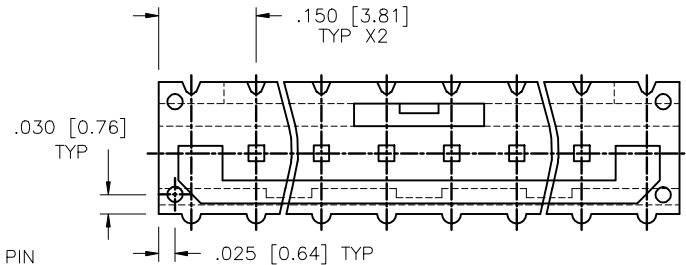
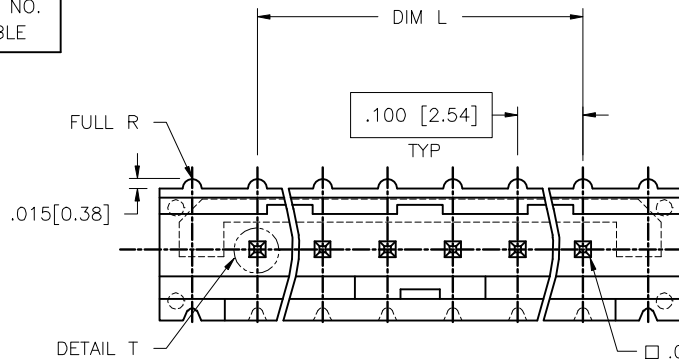
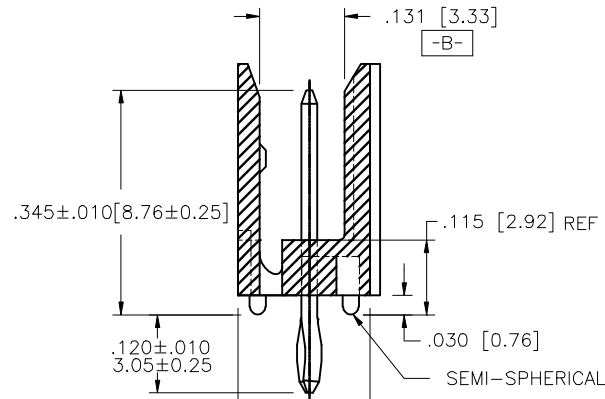
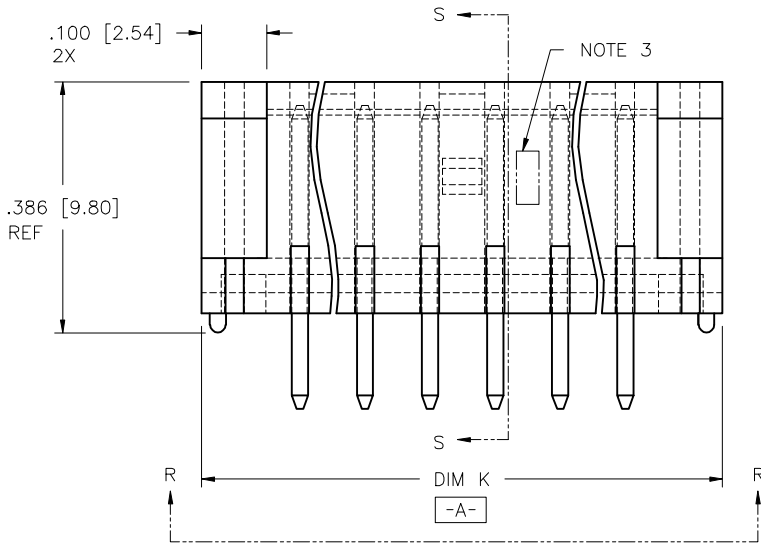


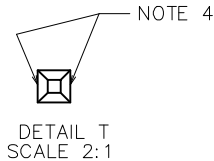
PRODUCT NO.
SEE TABLE



VIEW R-R



SECTION S-S

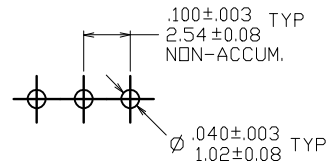
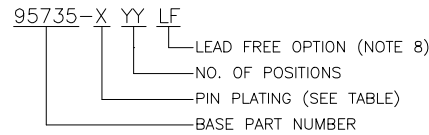


DETAIL T
SCALE 2:1

mat'l. code				surface ISO 1302	tolerance ISO 406 ISO 1101	projection ISO 1001	product family CLINCHER
ltr	ecn no	dr	date	tolerances unless otherwise specified		INCH/MM	title CLINCHER™ LATCH HEADER VERTICAL SELF-RETAINING
C	V60842	EPK	6/3/96	angles	XX±.01/XX±0.3		
D	V71289	HTB	9/22/97	linear	.XXX±.006/XX±0.13	scale 4:1	dwg no 95735
E	M05-0109	MHT	7/15/05	0°±2'	XXX±.0020/XXX±0.05	sheet 1 of 2	size A3
F	M06-0052	MHT	1/30/06	dr	T.BREWBAKER 5/23/95	type Product Customer Drawing	
G	M06-0233	AGS	6/13/06	engr	T.HANNA 2/17/05	FCJ	
H	M08-0304	MHT	10/16/08	chr	T.HANNA 2/17/05		
J	M09-0079	MHT	5/22/09	appd	T.HANNA 2/17/05		
sheet	revision	J	J				
index	sheet	1	2				

PRODUCT NUMBER	NO. OF POSITIONS	DIM K ENGLISH	DIM K METRIC	DIM L ENGLISH	DIM L METRIC	RETENTION LEG
95735-X02	1 X 2	0.400	10.16	0.100	2.54	NOTE 5
95735-X03	1 X 3	0.500	12.70	0.200	5.08	NOTE 6
95735-X04	1 X 4	0.600	15.24	0.300	7.62	NOTE 7
95735-X05	1 X 5	0.700	17.78	0.400	10.16	
95735-X06	1 X 6	0.800	20.32	0.500	12.70	
95735-X07	1 X 7	0.900	22.86	0.600	15.24	
95735-X08	1 X 8	1.000	25.40	0.700	17.78	
95735-X09	1 X 9	1.100	27.94	0.800	20.32	
95735-X10	1 X 10	1.200	30.48	0.900	22.86	
95735-X11	1 X 11	1.300	33.02	1.000	25.40	
95735-X12	1 X 12	1.400	35.56	1.100	27.94	
95735-X13	1 X 13	1.500	38.10	1.200	30.48	
95735-X14	1 X 14	1.600	40.64	1.300	33.02	
95735-X15	1 X 15	1.700	43.18	1.400	35.56	
95735-X16	1 X 16	1.800	45.72	1.500	38.10	NOTE 7

DASH NO	OVERPLATING	UNDERPLATING
-1YY	30u"/.76u MIN Au OR GXT	50u"/1.27u MIN Ni
-1YYLF		
-4YY	100u"/2.54u MIN PURE TIN	
-4YYLF		



SCALE 3/1
RECOMMENDED HOLE PATTERN

- NOTES:
- MOLDING MATERIAL: HIGH TEMPERATURE PLASTIC FLAME RETARDENT PER UL-94V-0. COLOR: NATURAL
 - PIN MATERIAL: 3/4 HD PHOS. BRONZE
 - LOGO TO BE LOCATED APPROX. AS SHOWN.
 - TWO NON-CRITICAL SIDES OF PIN TIP NOT PLATED, BOTH ENDS.
 - RETENTION LEGS POS. 1 & 2 RETENTION FEATURE ROTATED 90° FROM THAT SHOWN.
 - RETENTION LEGS POS. 1 & 3 RETENTION FEATURE ROTATED 90° FROM THAT SHOWN.
 - RETENTION LEGS CENTER 4 POS. ONLY AS SHOWN.
 - FOR LEAD FREE OPTION ADD "LF" IN THE END OF THE EXISTING PART NUMBERS.
 - IF "LF" P/N THE PRODUCT MEETS EUROPEAN UNION DIRECTIVES AND OTHER COUNTRY REGULATION AS DESCRIBED IN GS-22-008.
 - THE HOUSING WILL WITHSTAND EXPOSURE TO 260°C PEAK TEMPERATURE FOR 20-30 SECONDS IN A CONVECTION, INFRA-RED OR VAPOR PHASE REFLOW OVEN. SEE APPLICATION NOTES/PROCEDURES IF THEY ARE AVAILABLE
 - PLATING OPTIONS: MAYBE EITHER GOLD OR GXT PLATED AT MANUFACTURER CHOICE

mat'l. code	surface ISO 1302	tolerance ISO 406 ISO 1101	projection	product family CLINCHER
ltr	ecn no	dr	date	title
J				CLINCHER™ LATCH HEADER VERTICAL SELF-RETAINING
				scale 4:1
				dwg no 95735 sheet 2 of 2 size A3
				type Product Customer Drawing
sheet index	revision sheet			

FCJ
 FConnect.com
 Copyright FCJ