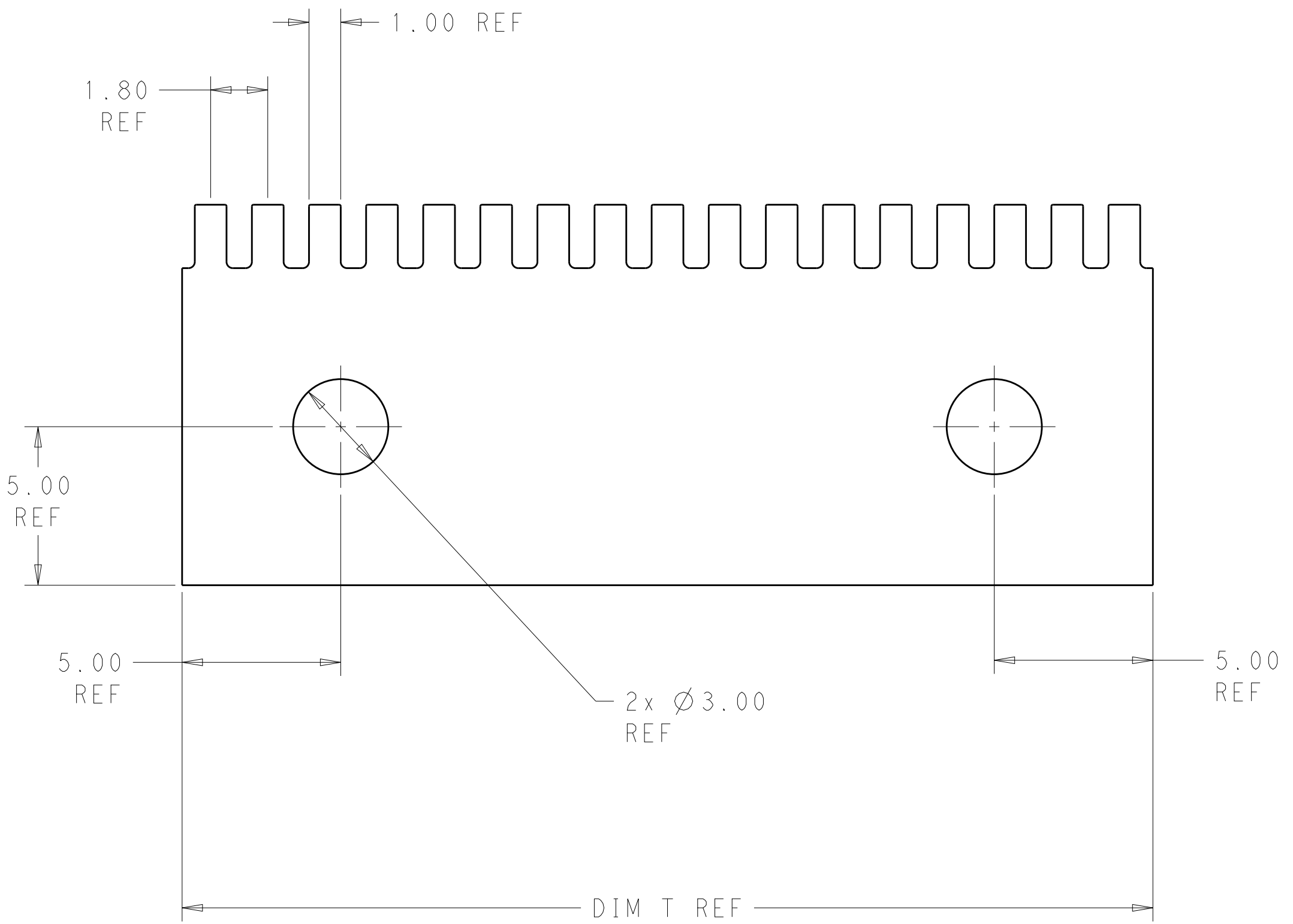
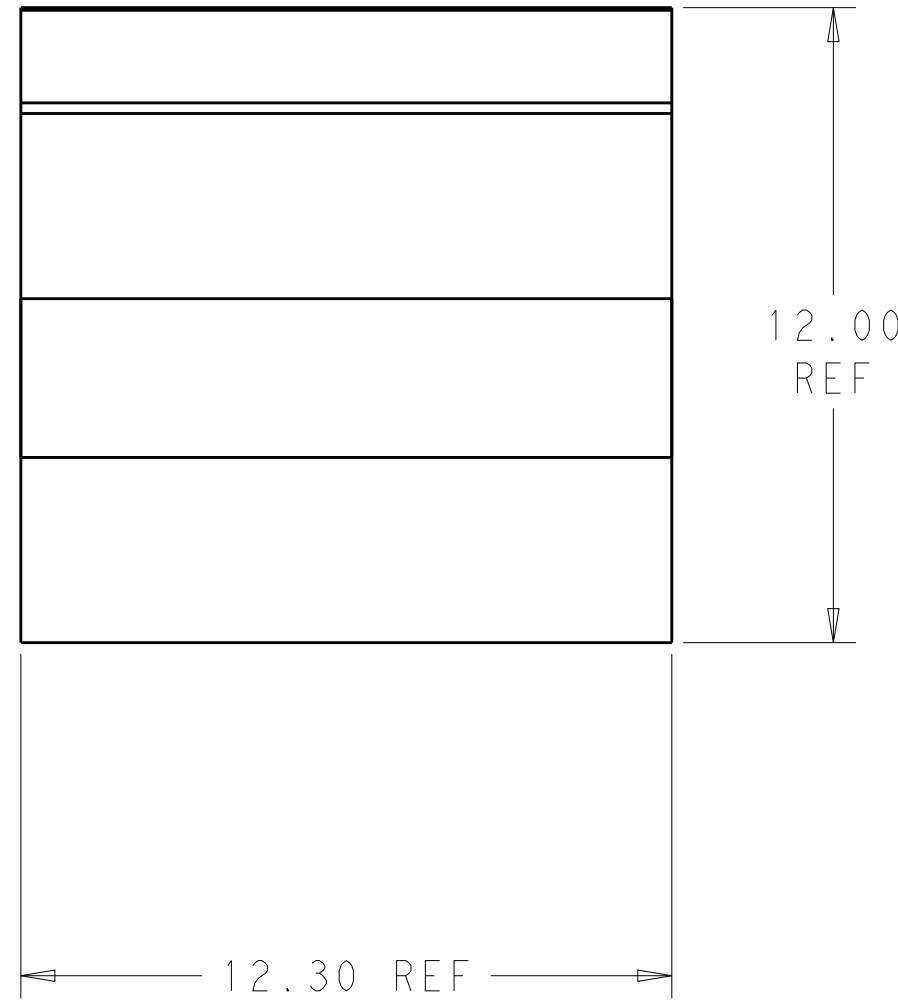


THIS DRAWING IS UNPUBLISHED. RELEASED FOR PUBLICATION 20
 © COPYRIGHT 20 BY - ALL RIGHTS RESERVED.

LOC		DIST		REVISIONS			
P	LTR	DESCRIPTION	DATE	DWN	APVD		
	A	RELEASED PER ECO 16-010334	7-25-16	CT	DH		



117.00	2226504-3
73.80	2226504-2
30.60	2226504-1
DIM "T"	PART NUMBER

THIS DRAWING IS A CONTROLLED DOCUMENT.		DWN D. BELACK	02 JUL 2013
DIMENSIONS: mm		CHK A. TSANG	
TOLERANCES UNLESS OTHERWISE SPECIFIED:		APVD A. TSANG	
0 PLC ±-		PRODUCT SPEC	
1 PLC ±0.13		APPLICATION SPEC	108-32042
2 PLC ±0.05		WEIGHT	114-32055
3 PLC ±0.025		SCALE	7:1
4 PLC ±		SHEET	1 OF 1
ANGLES ±		REV	A
FINISH			
MATERIAL	SS 303	CUSTOMER DRAWING	

STE TE Connectivity

NAME: MULTITIG RIGID FLEX CONNECTOR TOOL

SIZE: A2 CAGE CODE: 00779 DRAWING NO: C-2226504 RESTRICTED TO: -