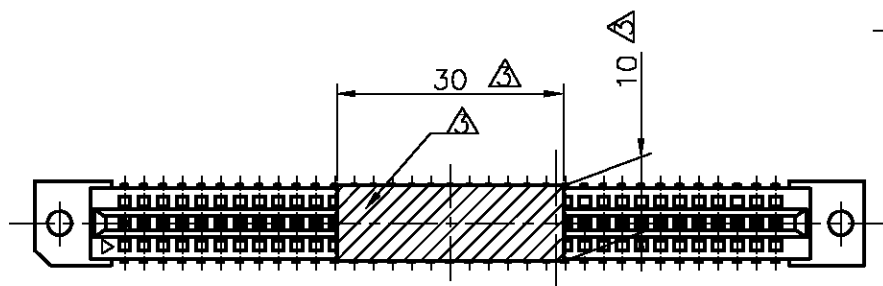


THIS DRAWING IS UNPUBLISHED. RELEASED FOR PUBLICATION

© COPYRIGHT BY TYCO ELECTRONICS CORPORATION. ALL RIGHTS RESERVED.

LOC		DIST		REVISIONS			
P	LTR	DESCRIPTION		DATE	DWN	APVD	
		O		RELEASED(FJ00-1962-00)	20DEC00	H.T I.E	

-1 ; AS SHOWN

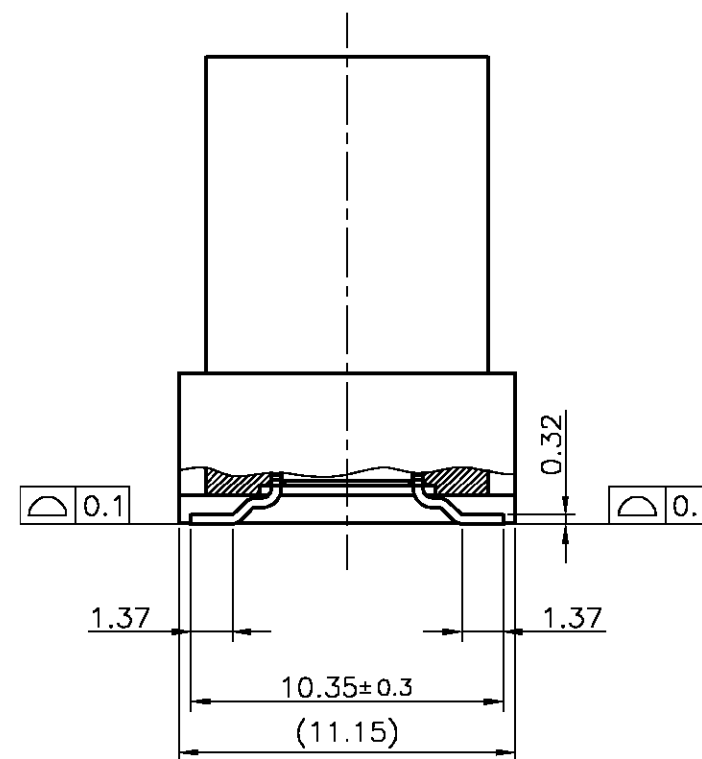
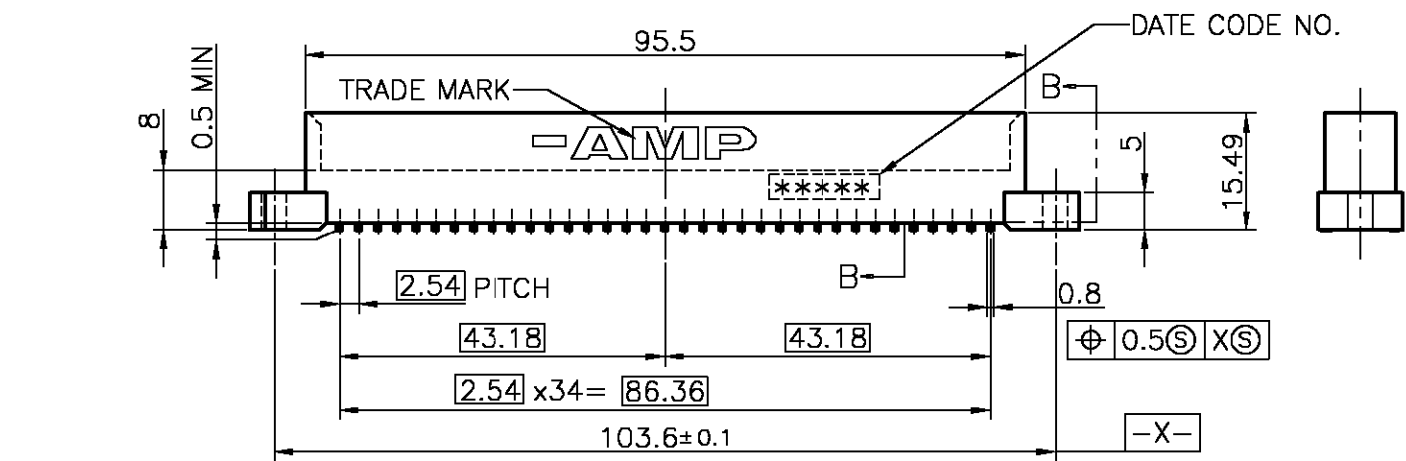
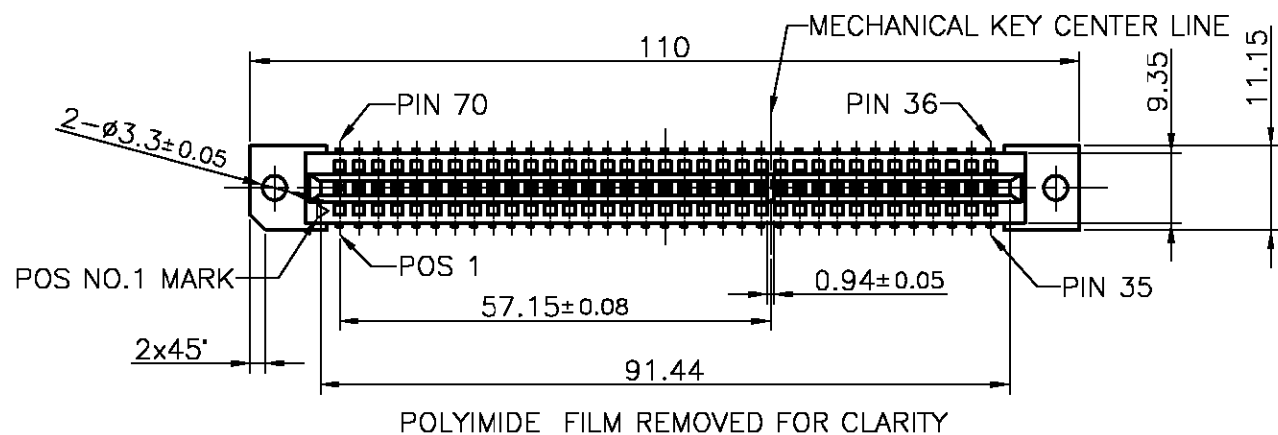


NOTES

- 1. MATERIAL ; HOUSING:HIGH TEMPERATURE THERMO PLASTIC UL94V-0. CONTACT:COPPER ARROY.
- 2. FINISH ; CONTACT AREA : GOLD PLATE OVER Ni PLATE. SOLDERING AREA : GOLD PLATE OVER Ni PLATE.
- 3. POLYIMIDE FILM (ADHESIVE TAPE) ; THK 0.08.

注記

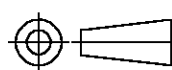
- 1. 材料 ;ハウジング:耐熱性熱可塑性樹脂 UL94V-0
コンタクト:銅合金
- 2. めっき仕様;接触部:ニッケル下地
金めっき
半田付部:ニッケル下地
金めっき
- 3. ポリイミドフィルム(粘着テープ);厚さ 0.08



SECT B-B (SCALE 4-1)

THIS DRAWING IS A CONTROLLED DOCUMENT.

DIMENSIONS: MM



TOLERANCES UNLESS OTHERWISE SPECIFIED:

- 0 PLC ± -
- 1 PLC ± -
- 2 PLC ± -
- 3 PLC ± -
- 4 PLC ± -
- ANGLES ± -

MATERIAL



FINISH

DWN H.TAGUCHI 14DEC00
 CHK K.ASAKAWA 20DEC00
 APVD I.ENOMOTO 20DEC00
 PRODUCT SPEC 108-5773
 APPLICATION SPEC

WEIGHT

-

AMP Tyco Electronics Corporation
 Kawasaki, Japan

NAME
 CARD EDGE 35 DUAL POS. SMT

SIZE A3 CAGE CODE 00779 DRAWING NO. C-1473151 RESTRICTED TO

GENERAL TOERLANCE

- 10 ≥ ; ±0.2
- 30 ≥ >10 ; ±0.25
- >30 ; ±0.3
- ANGLE ; ±3°

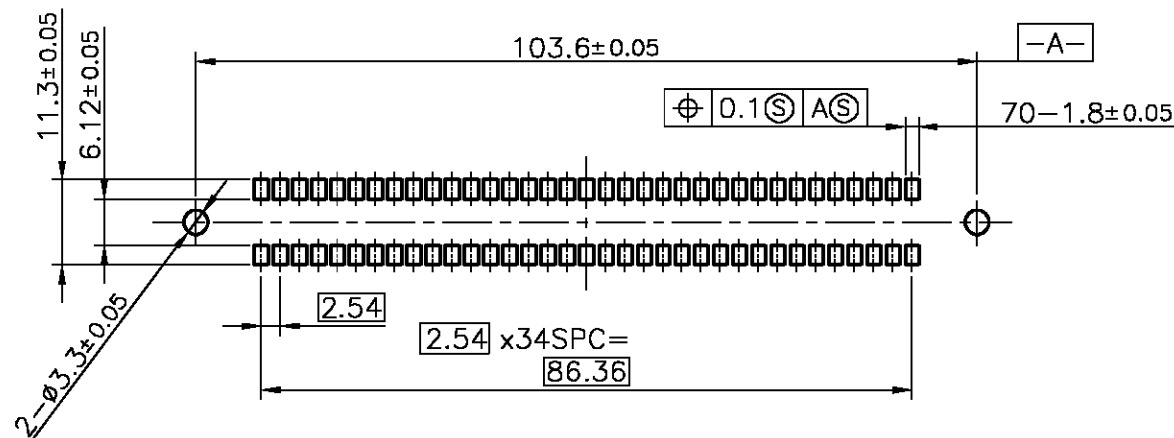
CUSTOMER DRAWING

SCALE 1-1 SHEET 1 OF 2 REV 0

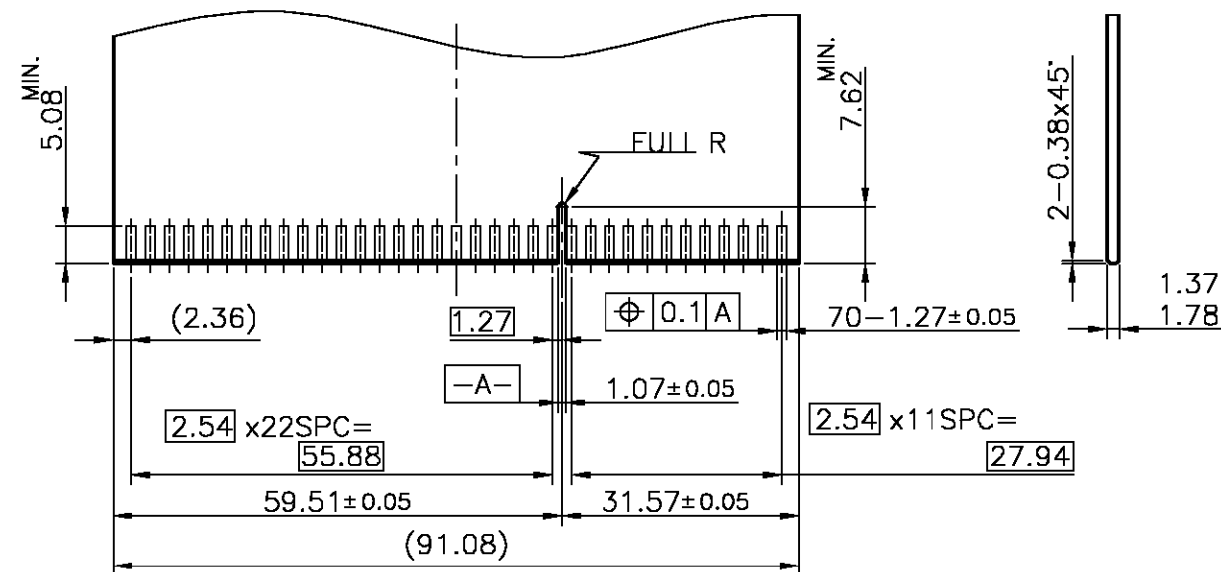
THIS DRAWING IS UNPUBLISHED. RELEASED FOR PUBLICATION

© COPYRIGHT BY TYCO ELECTRONICS CORPORATION. ALL RIGHTS RESERVED.

LOC	DIST	REVISIONS			
P	LTR	DESCRIPTION	DATE	DWN	APVD
J	-				



RECOMMENDED P.C.BOARD PATTERN LAYOUT (CONNECTOR MOUNTING SIDE)



RECOMMENDED MATING BOARD EDGE CONFIGURATION

GENERAL TOLERANCE

10 ≥	±0.2
30 ≥	>10 ; ±0.25
	>30 ; ±0.3
	ANGLE ; ±3°

THIS DRAWING IS A CONTROLLED DOCUMENT.		DWN		Tyco Electronics Corporation	
DIMENSIONS: MM		CHK		Kawasaki, Japan	
TOLERANCES UNLESS OTHERWISE SPECIFIED:		APVD		NAME	
0 PLC ± -		PRODUCT SPEC		CARD EDGE 35 DUAL POS. SMT	
1 PLC ± -		APPLICATION SPEC		SIZE CAGE CODE DRAWING NO RESTRICTED TO	
2 PLC ± -		WEIGHT		A3 00779 C-1473151 -	
3 PLC ± -		CUSTOMER DRAWING		SCALE 1-1 SHEET 2 OF 2 REV 0	
4 PLC ± -					
ANGLES ± -					
MATERIAL		FINISH			