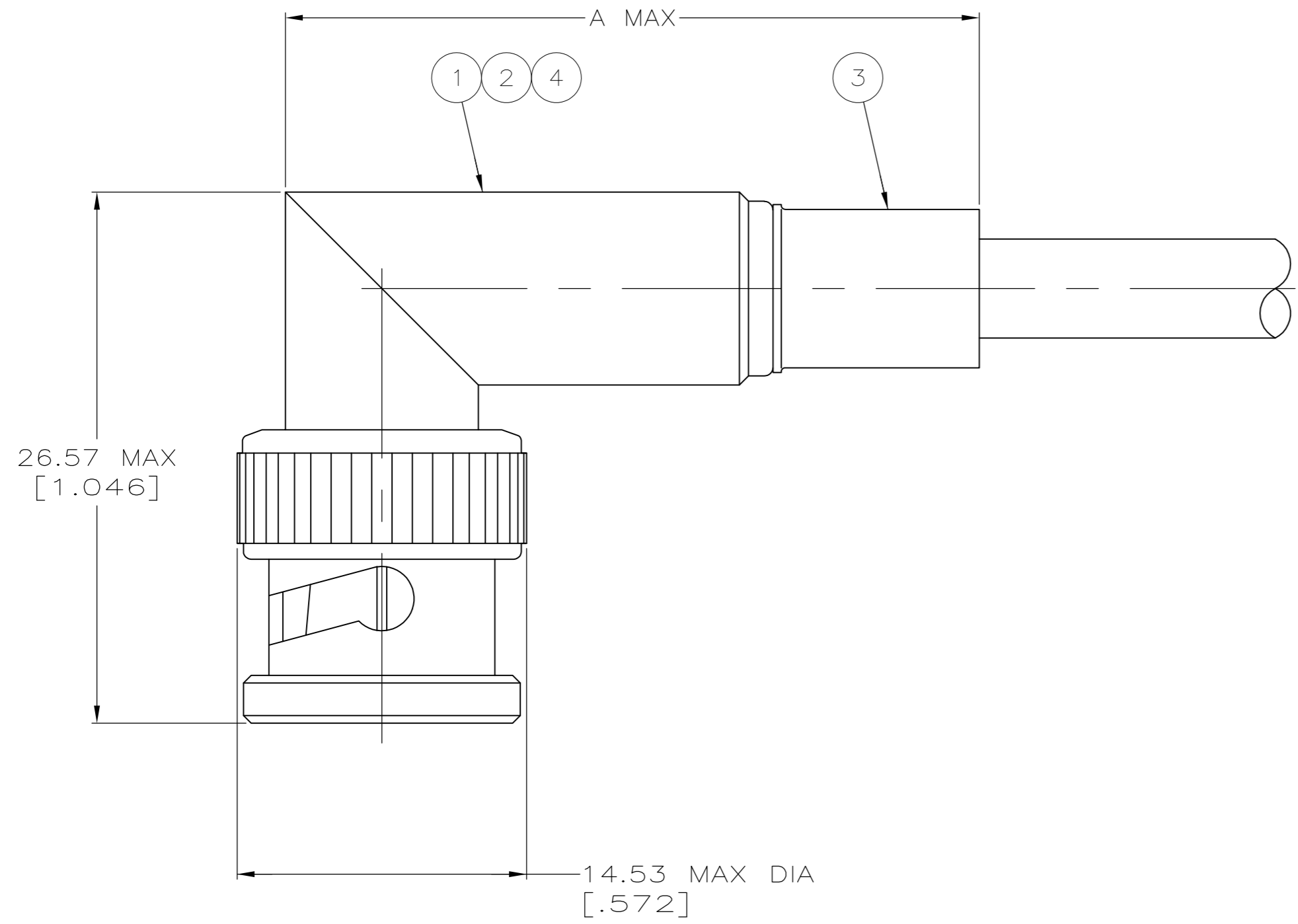
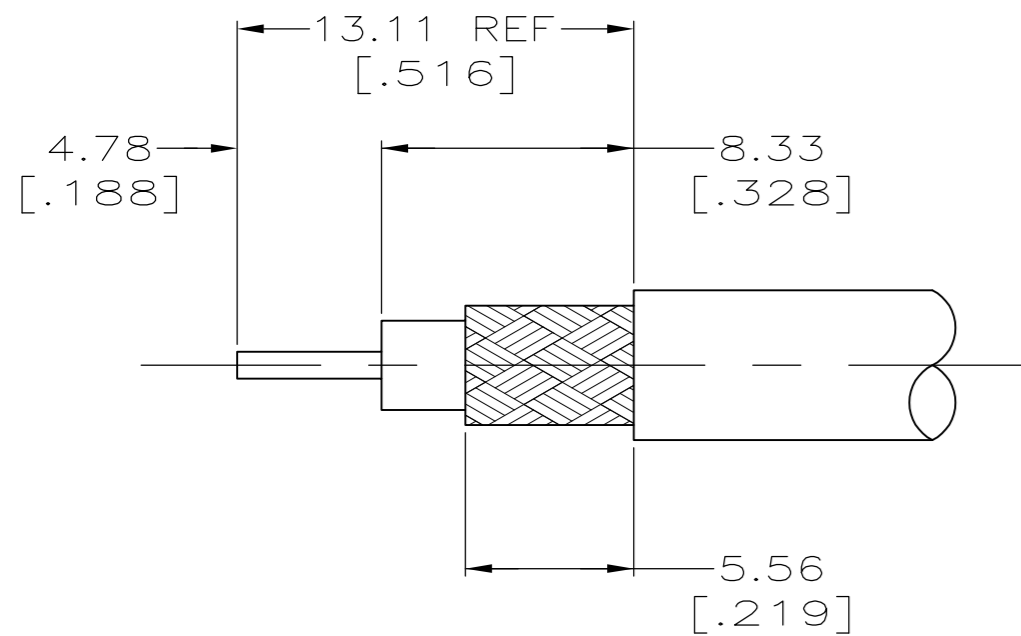


THIS DRAWING IS UNPUBLISHED. RELEASED FOR PUBLICATION
 © COPYRIGHT BY TYCO ELECTRONICS CORPORATION. ALL RIGHTS RESERVED.

LOC	DIST	REVISIONS					
		P	LTR	DESCRIPTION	DATE	DWN	APVD
AJ	16	0		REV PER EC-0S14-0496-04	01FEB2005	AF	JL
		01		REVISED PER ECO-10-000444	31OCT09	KK	AEG



- ① RG-58/U, RG-58A/U, RG-58B/U, & RG-58C/U
- ② RG-55/U, RG-55A/U, RG-55B/U, & RG-223/U
- ③ RG-59/U, RG-59A/U, RG-59B/U, RG-62/U, RG-62A/U, & RG-62B/U
- ④ RG-188/U, 316 TYPE, DOUBLE BRAIDED CABLE
- 5. SEE I.S. 1914-5
- ⑥ OBSOLETE PARTS: OBSOLETE CIS STREAMLINING PER D.RENAUD/D.SINISI



RECOMMENDED STRIP LENGTH

④	220009-1	37.29 [1.468]	227194-1	9-329049-0	1-331368-2	225975-6	1-5225974-1
③	69477-1	37.29 [1.468]	-	9-50428-0	2-331368-3	225975-4	5225974-5
②	69478-1	39.12 [1.540]	-	9-225382-0	1-331369-6	225975-3	5225974-2
①	69478-1	39.12 [1.540]	-	9-225381-0	1-331369-6	225975-3	5225974-1
⑥ OBSOLETE							
CABLE SIZE	HAND TOOL	A	④ TUBING QTY=1	③ FERRULE QTY=1	② CONTACT QTY=1	① PLUG ASSY QTY=1	PART NUMBER

THIS DRAWING IS A CONTROLLED DOCUMENT.

DWN	01FEB2005	A. FERNANDEZ-DOCK5	Tyco Electronics Corporation Harrisburg, PA 17105-3608
CHK	01FEB2005	J. HAVENER	
APVD	01FEB2005	J. LIPPERT	NAME
PRODUCT SPEC	108-12020		
APPLICATION SPEC	-		
WEIGHT	-	SIZE	A2
CUSTOMER DRAWING	SCALE	4:1	SHEET 1 OF 1