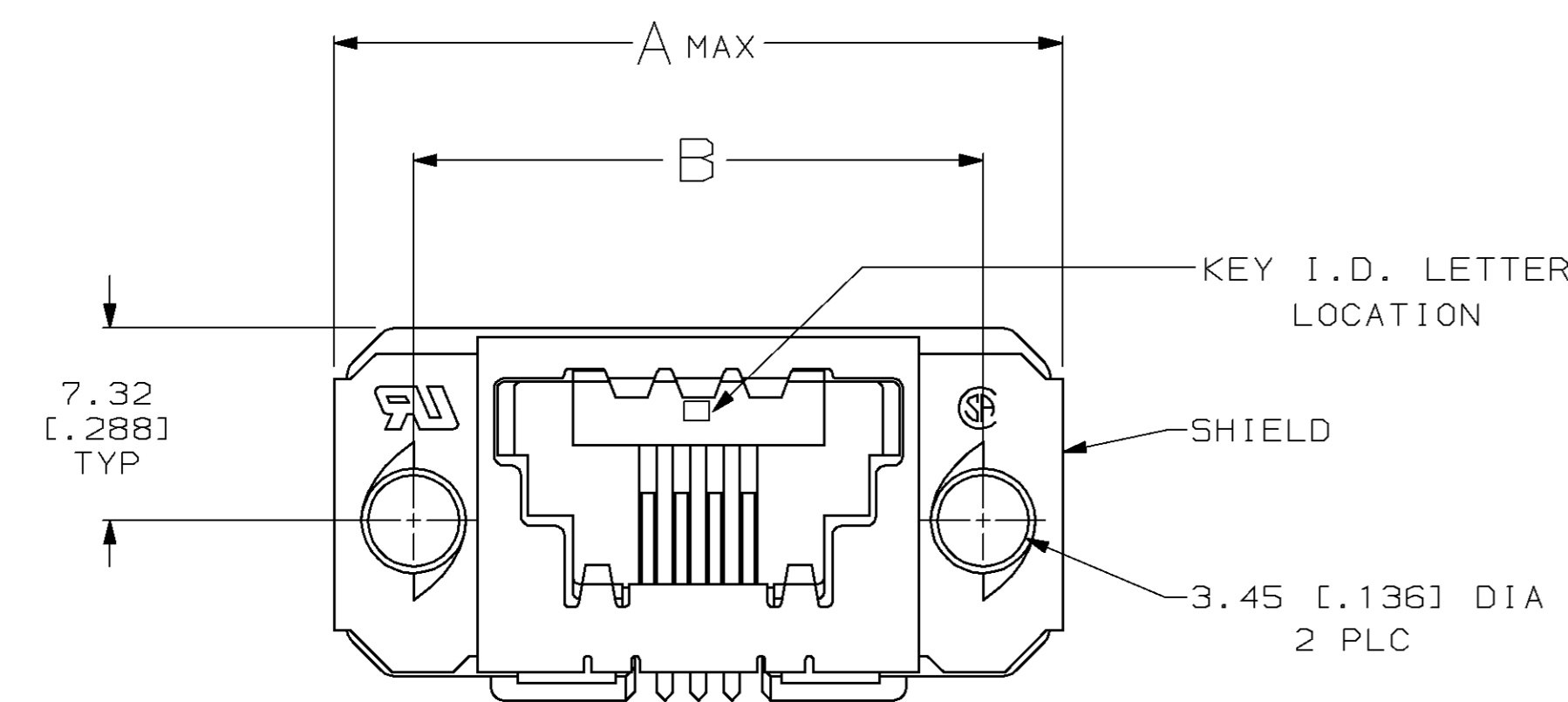
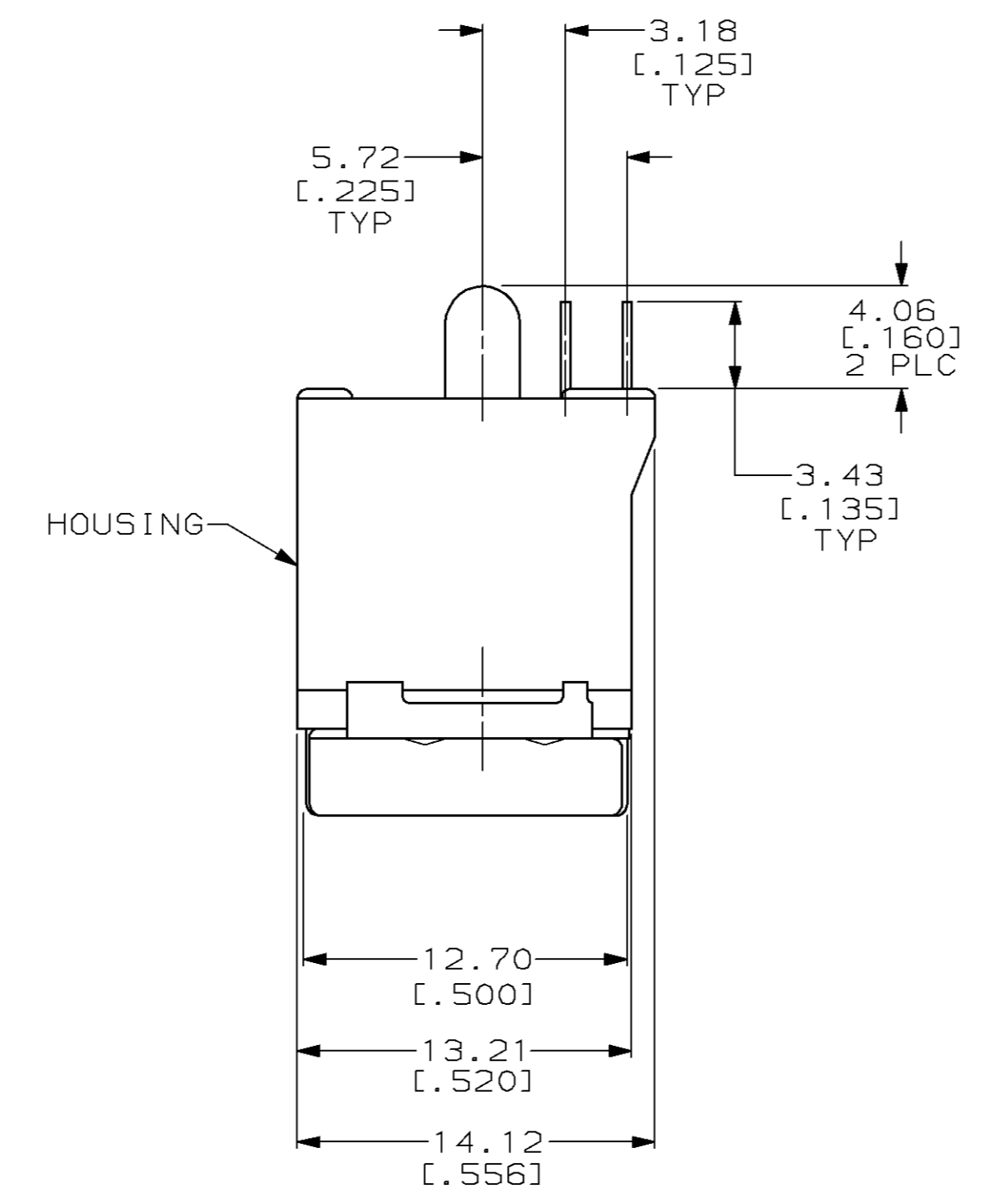
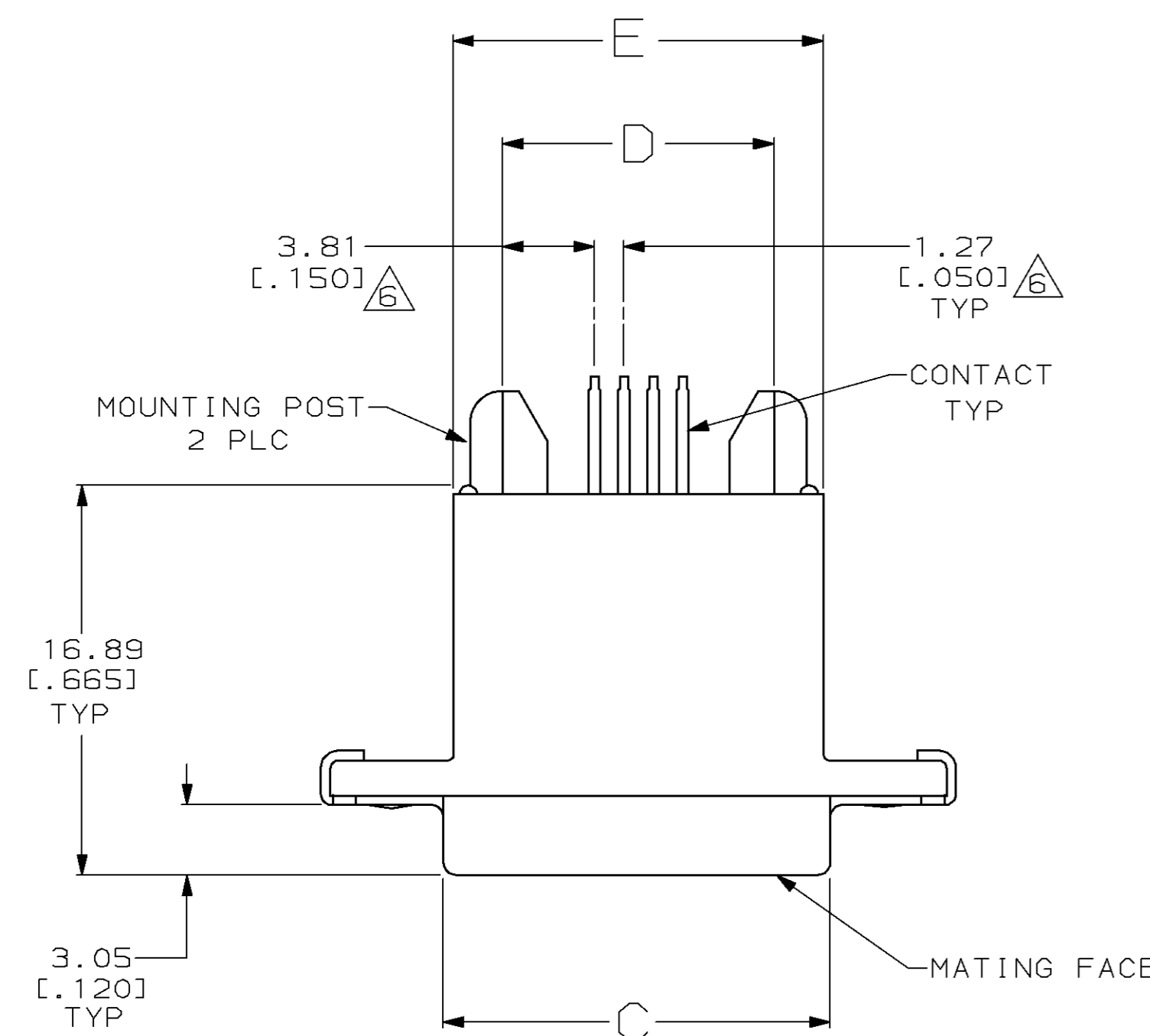


LOC	DIST	P	F	ZONE	LTR	DESCRIPTION	DATE	APPD
BD	50							
				V		REV PER EC 0020-1350-94	01/07/95	SM
				W		REV PER EC 0020-44-95	02/15/95	RB
				Y		REV PER EC 0020-674-95	06/21/95	RB
				Z		OBS -22, -26, -36, -42, -61 PER EC 0020-475-95	24 OCT 95	RB
				AA		OBS -43 PER EC 0020-1120-95	28 AUG 96	JGH
				AB		OBSOLETE -32 PER EC 0410-186-96	26 JAN 98	JDS



- PREFIX AND SUFFIX NUMBERS MUST MATCH THOSE ON PLUG ASSEMBLY FOR PARTS TO MATE.
- POLYESTER, FLAME RETARDANT, UL 94V-0 RATED, GLASS FILLED, BLACK.
- 0.76µm [.000030] MIN TIN-LEAD OVER 2.54µm [.000100] MIN COPPER.
- 1.27µm [.000050] MIN GOLD ON MATING SURFACE FOR A LENGTH OF 2.54 [.100] MIN, 3.81µm [.000150] MIN TIN-LEAD ON OPPOSITE END FOR A LENGTH OF 3.81 [.150] MIN, BOTH OVER 1.27µm [.000050] MIN NICKEL ON ENTIRE CONTACT.
- 0.76µm [.000030] MIN TIN-LEAD OVER 1.27µm [.000050] MIN NICKEL.
- DIMENSION APPLIES TO PORTION OF CONTACT PROJECTING FROM REAR OF CONNECTOR ONLY.

OBSOLETE	16.00 [.630]	11.43 [.450]	16.74 [.659]	21.59 [.850]	27.94 [1.100]	4	F		6-520422-1
	31.24 [1.230]	26.67 [1.050]	31.98 [1.259]	36.83 [1.450]	43.18 [1.700]	16	E		5-520422-6
	21.08 [.830]	16.51 [.650]	21.82 [.859]	26.67 [1.050]	33.02 [1.300]	8	E		5-520422-3
	18.54 [.730]	13.97 [.550]	19.28 [.759]	24.13 [.950]	30.48 [1.200]	6	E		5-520422-2
	16.00 [.630]	11.43 [.450]	16.74 [.659]	21.59 [.850]	27.94 [1.100]	4	E		5-520422-1
OBSOLETE	21.08 [.830]	16.28 [.641]	21.82 [.859]	26.67 [1.050]	33.02 [1.300]	8	D		4-520422-3
OBSOLETE	18.54 [.730]	13.74 [.541]	19.28 [.759]	24.13 [.950]	30.48 [1.200]	6	D		4-520422-2
	16.00 [.630]	11.43 [.450]	16.74 [.659]	21.59 [.850]	27.94 [1.100]	4	D		4-520422-1
OBSOLETE	31.24 [1.230]	26.67 [1.050]	31.98 [1.259]	36.83 [1.450]	43.18 [1.700]	16	C		3-520422-6
	21.08 [.830]	16.51 [.650]	21.82 [.859]	26.67 [1.050]	33.02 [1.300]	8	C		3-520422-3
OBSOLETE	18.54 [.730]	13.97 [.550]	19.28 [.759]	24.13 [.950]	30.48 [1.200]	6	C		3-520422-2
	16.00 [.630]	11.43 [.450]	16.74 [.659]	21.59 [.850]	27.94 [1.100]	4	C		3-520422-1
OBSOLETE	31.24 [1.230]	26.44 [1.041]	31.98 [1.259]	36.83 [1.450]	43.18 [1.700]	16	B		2-520422-6
OBSOLETE	18.54 [.730]	13.74 [.541]	19.28 [.759]	24.13 [.950]	30.48 [1.200]	6	B		2-520422-2
	31.24 [1.230]	26.67 [1.050]	31.98 [1.259]	36.83 [1.450]	43.18 [1.700]	16	A		1-520422-6
	21.08 [.830]	16.51 [.650]	21.82 [.859]	26.67 [1.050]	33.02 [1.300]	8	A		1-520422-3
	18.54 [.730]	13.97 [.550]	19.28 [.759]	24.13 [.950]	30.48 [1.200]	6	A		1-520422-2
	16.00 [.630]	11.43 [.450]	16.74 [.659]	21.59 [.850]	27.94 [1.100]	4	A		1-520422-1
	E	D	C	B	A	NO OF POSN	KEY I.D. LETTER	SHIELD FINISH	PART NO

DO NOT SCALE PRINT. UNLESS SPECIFIED DIMENSIONS IN mm [INCHES] TOLERANCES ON: 2 PLC DEC ± .038 [.015] 3 PLC DEC ± - ANGLES ± -	DR 3-22-89 W.G. LENKER CHK 8-7-89 R. STONE APPD 8-8-89 J. PRITULSKY	AMP INCORPORATED Harrisburg, Pa. 17105
MATERIAL HOUSING: SHIELD: BRASS CONTACT: PHOSPHOR BRONZE FINISH	APPD 8-8-89 D. SUMMERS PRODUCT SPEC 108-2047 APPLICATION SPEC 114-2081 WEIGHT -	NAME RECEPTACLE ASSEMBLY, TOP ENTRY, SDL
SHIELD: SEE TABLE CONTACT:	SIZE D FSCM NO 00779 DRAWING NO 520422 SCALE 4:1	SHEET 1 OF 1