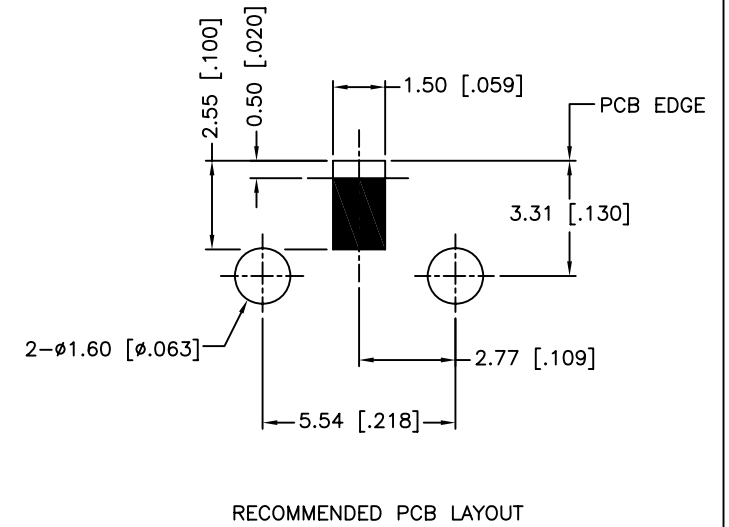
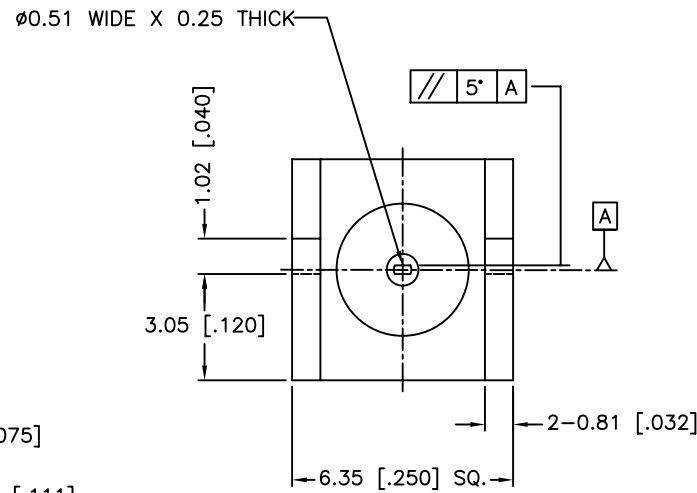
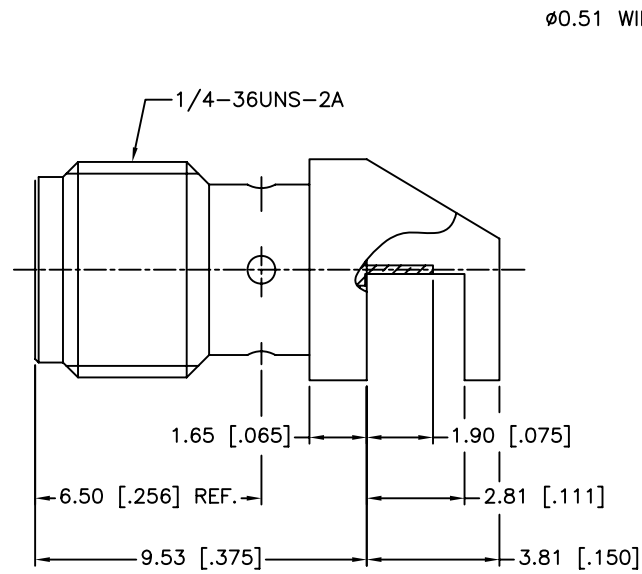


REV.	DATE	ECR NO.	DESCRIPTION
NC	10/26/10	XXXXXX	INITIAL RELEASE
A	05/11/11	2174	ADD THE RECOMMENDED PCB LAYOUT



RECOMMENDED PCB LAYOUT

UNLESS OTHERWISE SPECIFIED DIMENSIONS ARE IN MILLIMETERS. DIMENSIONS IN [] ARE IN INCHES AND FOR CUSTOMER REFERENCE ONLY.				APPROVALS	DATE	<h1>Amphenol Connex</h1>	
3	CONTACT PIN	BERYLLIUM COPPER	GOLD	1	DRAWN M.ZHANG		05/11/11
2	INSULATOR	PTFE	NATURAL	1	CHECKED		
1	BODY	BRASS	GOLD	1	ISSUED		
UNLESS OTHERWISE SPECIFIED TOLERANCES FOR MILLIMETERS ARE: 0.5 - 8mm ± 0.20mm 8 - 30mm ± 0.40mm 30 - 120mm ± 0.50mm				SHEET 1 OF 1		PART DESCRIPTION	
UNLESS OTHERWISE SPECIFIED TOLERANCES FOR INCHES ARE: .020 - .315 = ± 0.007" .315 - 1.180 = ± 0.015" 1.180 - 4.724 = ± 0.020"				CAD FILE C:/CONNEX/132417.DWG		PART NO. 132417	
DO NOT SCALE DRAWING						DWG. NO. 132417.DWG	
						REV. A	
						SIZE A	
						SCALE NA	