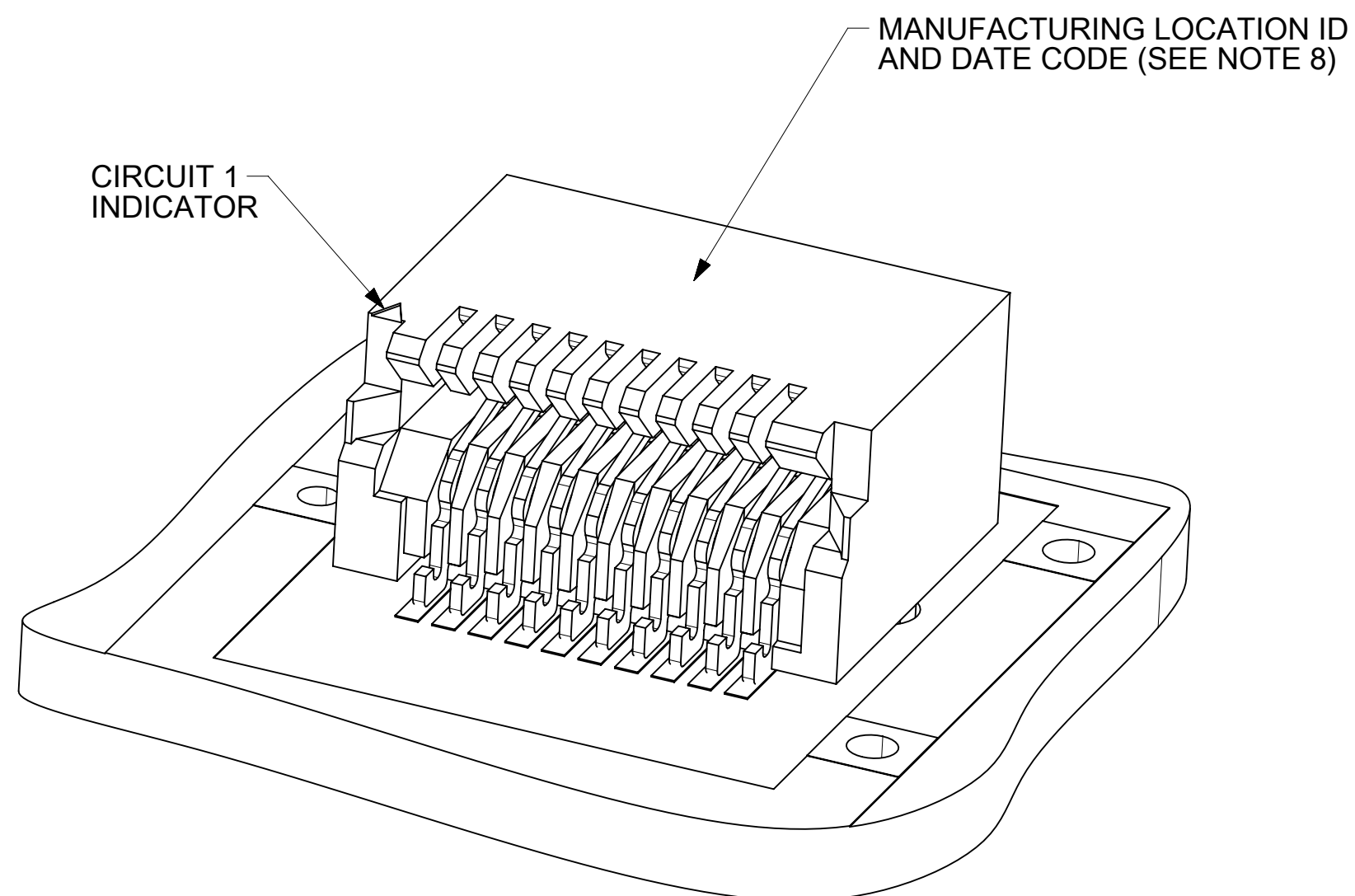


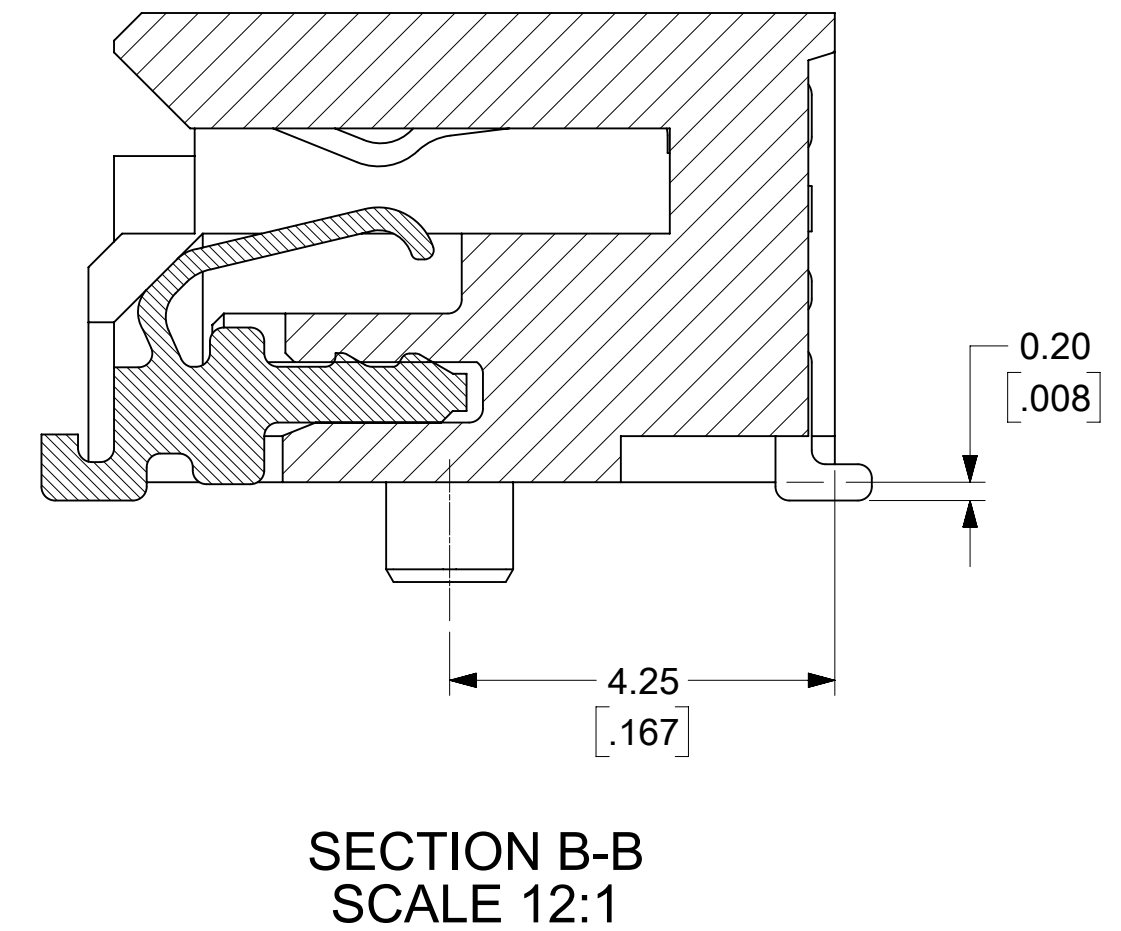
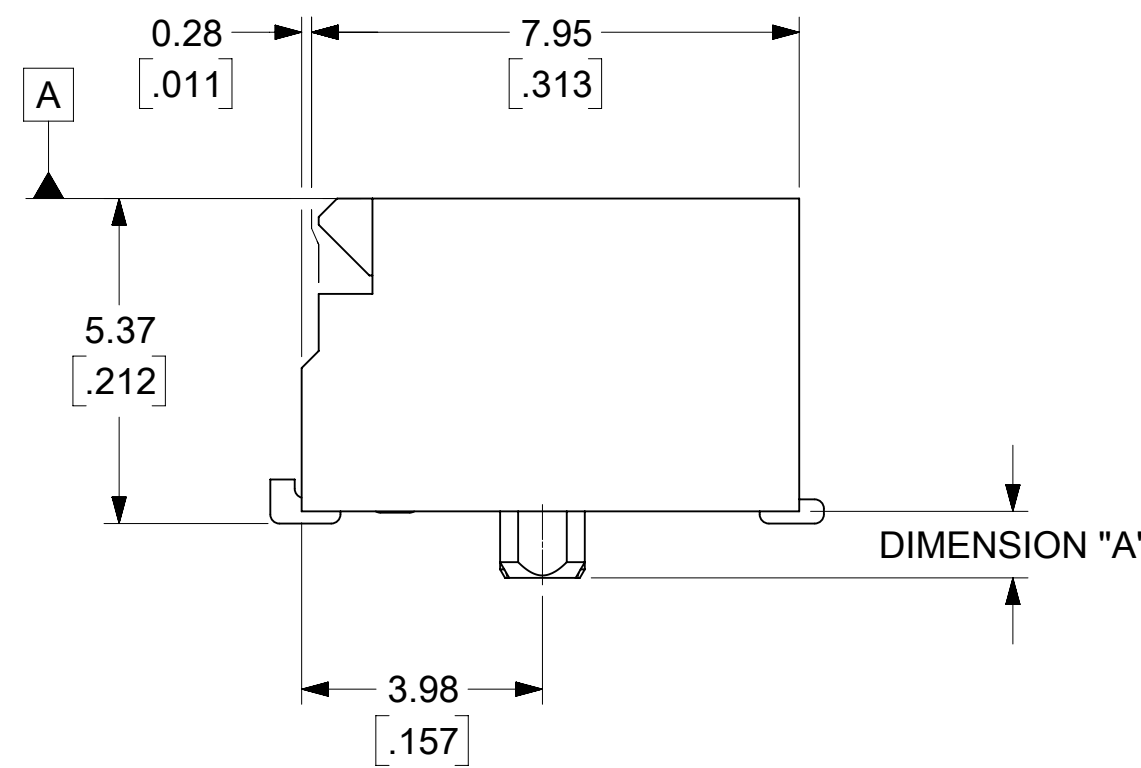
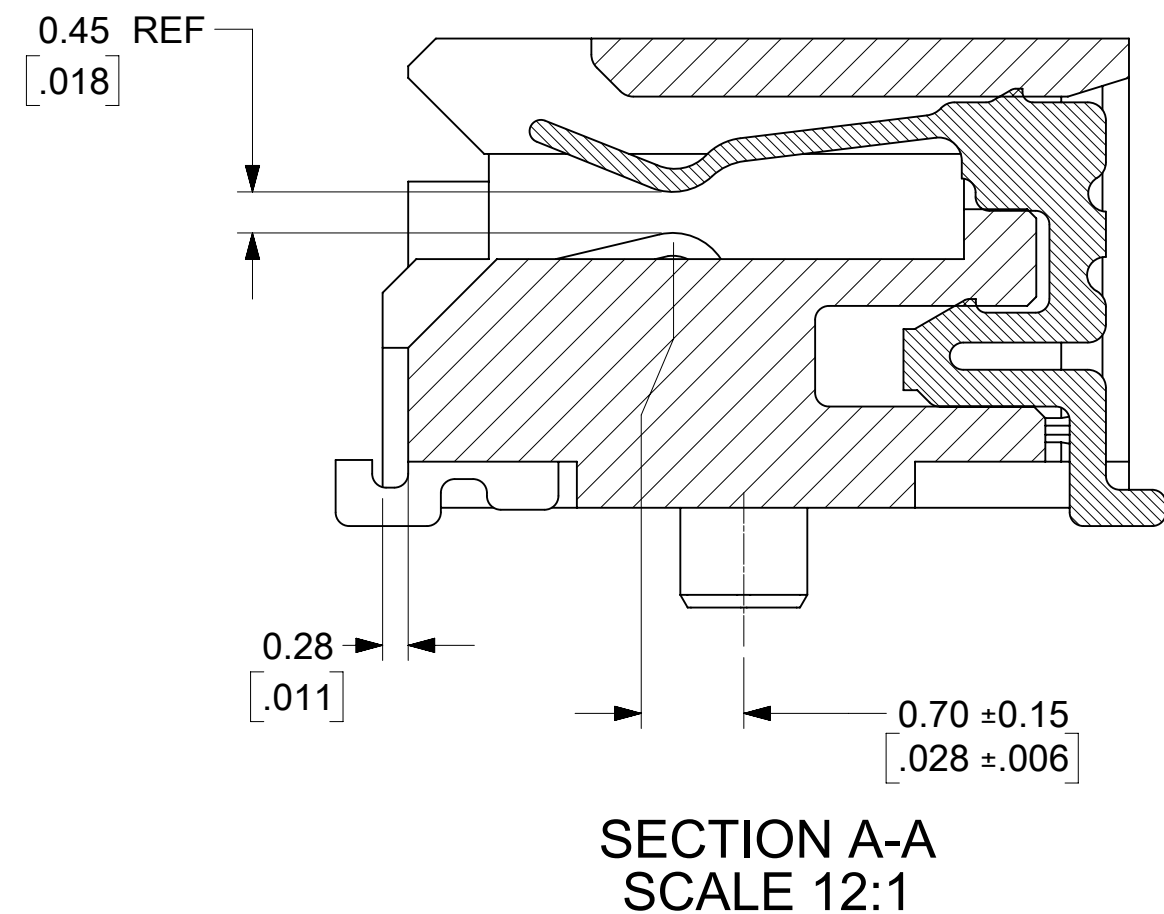
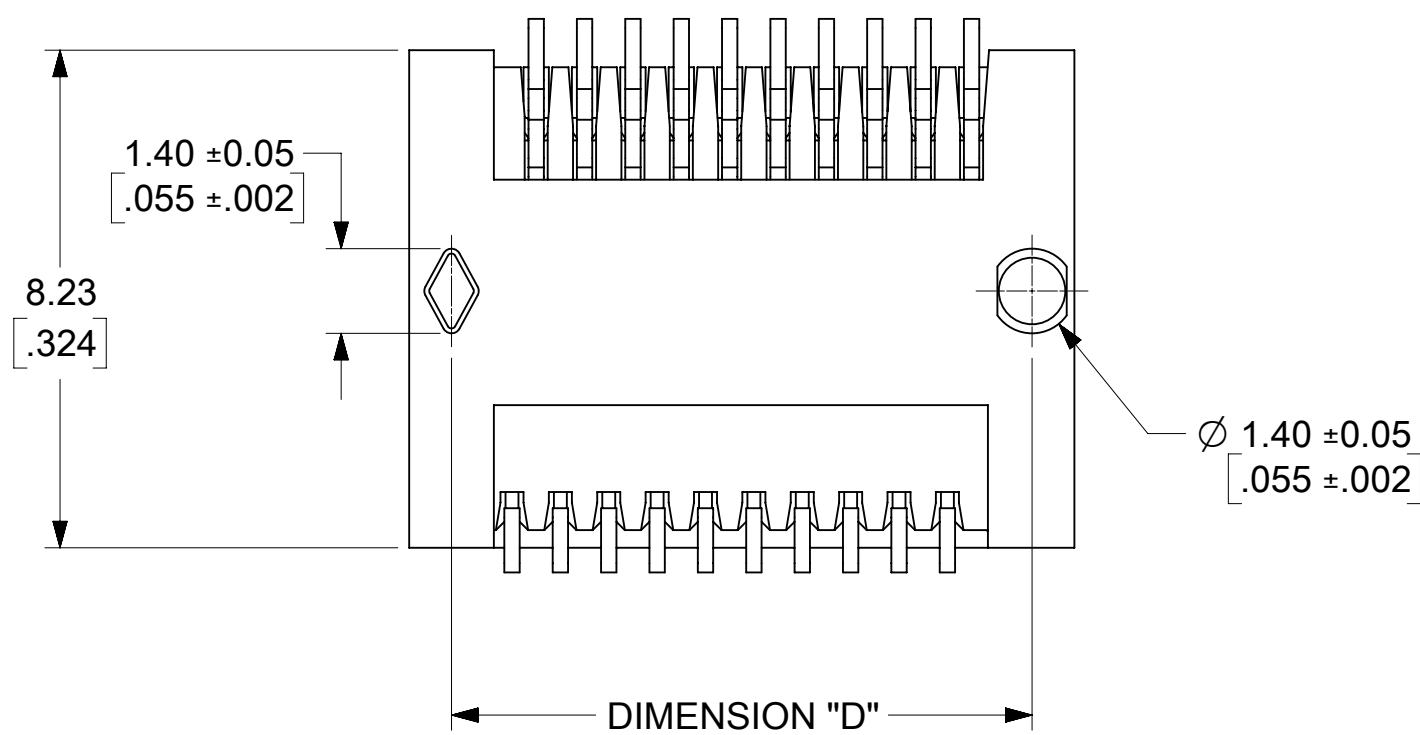
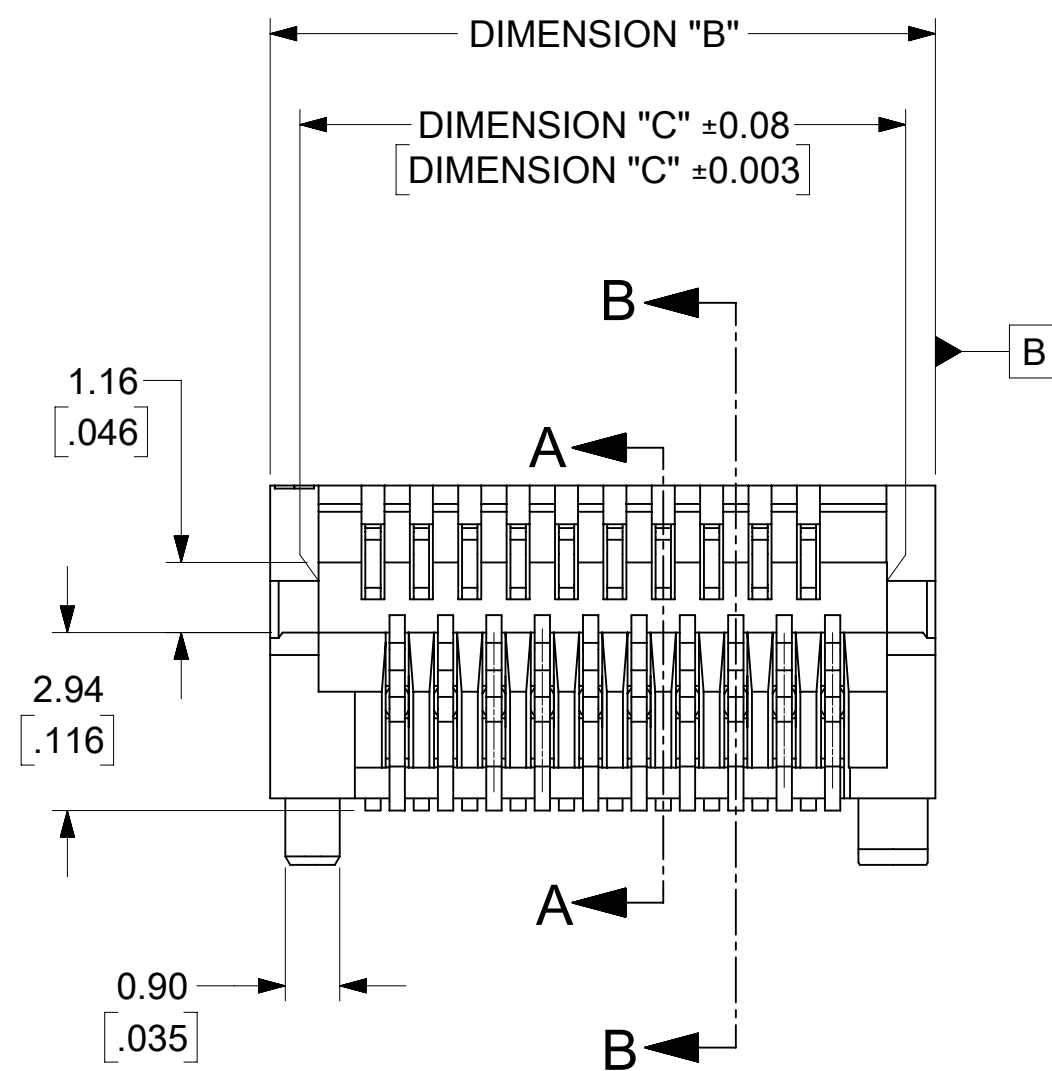
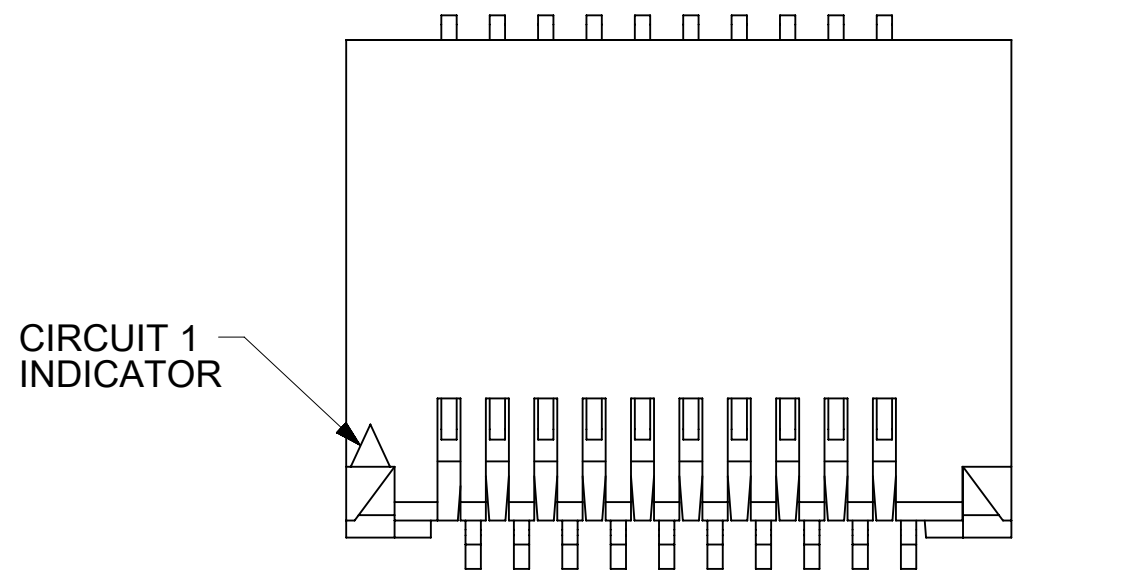
CKT SIZE	PART NUMBER	TOOLED	DESCRIPTION	DIMENSIONS				MULTI-SOURCE AGREEMENT	CIRCUIT BOARD LAYOUT
				"A"	"B"	"C"	"D"		
20	74441-0001	YES	PLATED PER NOTE 2	1.10/.043	11.00/.433	9.40/.370	9.60/.378	SFP	SEE SHEET 3
	74441-0004	NO*	PLATED PER NOTE 2	0.76/.030					
	74441-0010	YES	PLATED PER NOTE 3	1.10/.043					
	74441-0014	NO*	PLATED PER NOTE 3	0.76/.030					
	74441-0041	YES	PLATED PER NOTE 5	1.10/.043					
30	74441-0007	YES	PLATED PER NOTE 2	1.10/.043	15.00/.591	13.40/.528	13.60/.535	XFP	SEE SHEET 4
	74441-0017	YES	PLATED PER NOTE 3	1.10/.043					
70	74441-0003	YES	PLATED PER NOTE 2	1.10/.043	31.00/1.220	29.40/1.517	29.60/1.165	XENPAK XPAK X2	SEE SHEET 5

NOTES

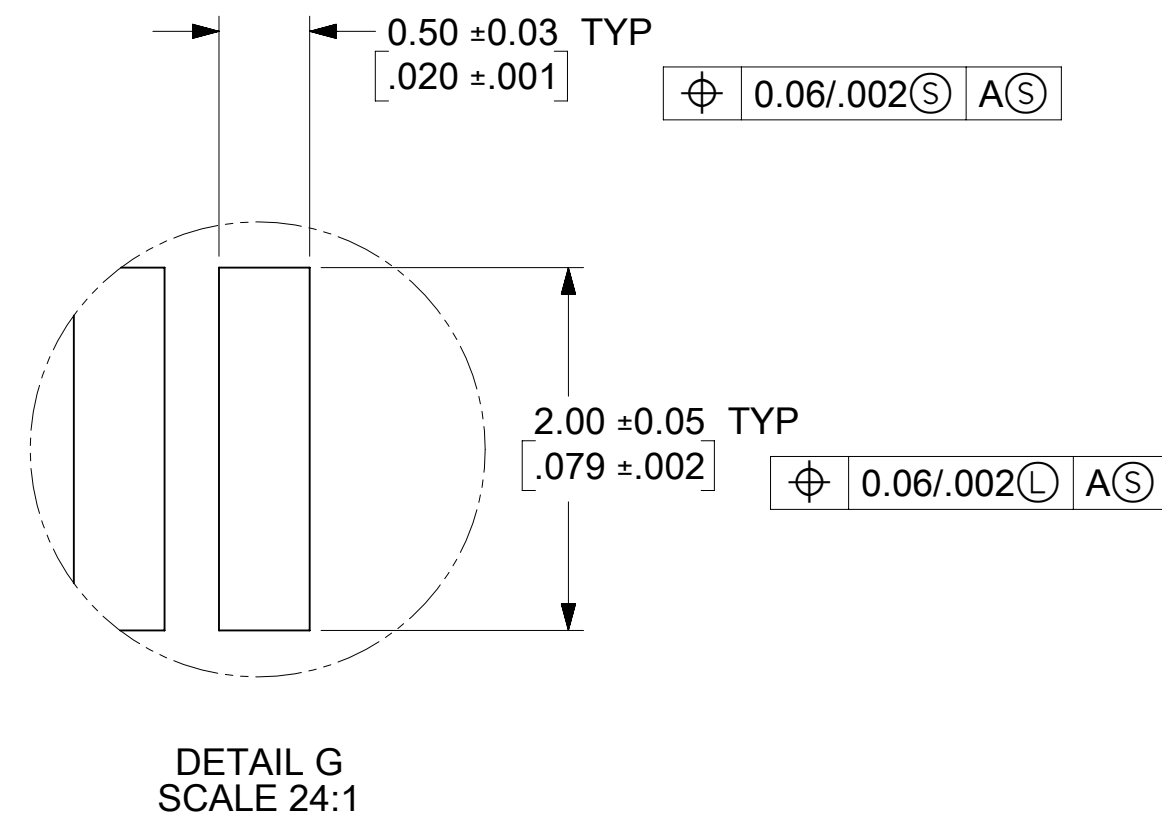
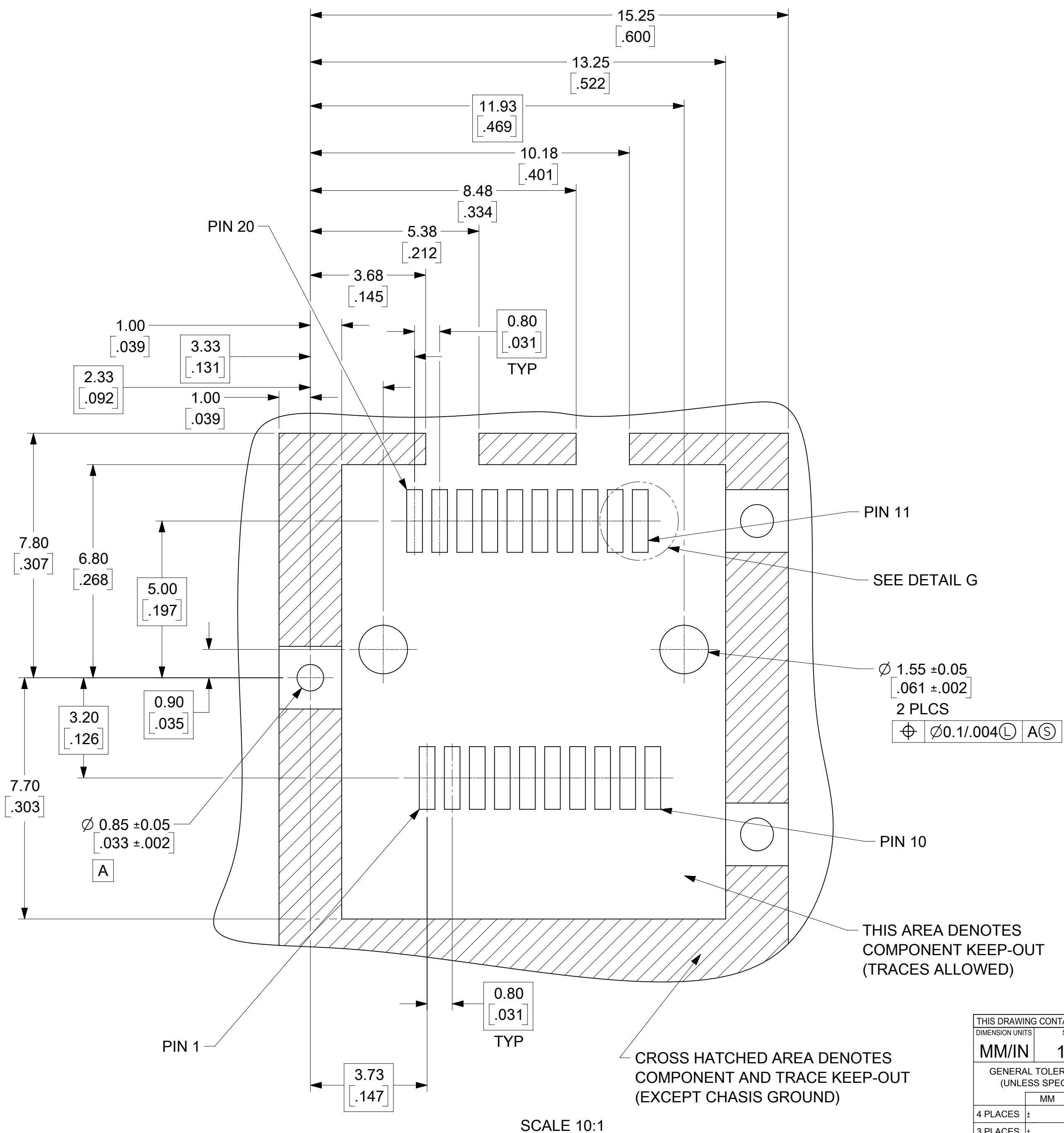
- MATERIAL:
HOUSING - HIGH TEMPERATURE THERMOPLASTIC GLASS FILLED, UL 94V-0, BLACK
TERMINALS - COPPER ALLOY
- PLATING (SEE TABLE):
CONTACT AREA - 0.38 MICROMETER MINIMUM GOLD OVER NICKEL
SOLDER FOOT AREA - 2.54 MICROMETER MINIMUM TIN OVER NICKEL
- PLATING (SEE TABLE):
CONTACT AREA - 0.76 MICROMETER MINIMUM GOLD OVER NICKEL
SOLDER AREA - 2.54 MICROMETER MINIMUM TIN OVER NICKEL
- PLATING (SEE TABLE):
CONTACT AREA - 0.76 MICROMETER MINIMUM GOLD OVER 2.54 MICROMETERS MINIMUM NICKEL.
SOLDER AREA: GOLD FLASH OVER NICKEL.
- PLATING (SEE TABLE):
CONTACT AREA - 0.38 MICROMETER MINIMUM GOLD OVER NICKEL;
SOLDER AREA: GOLD FLASH OVER NICKEL.
- SOLDER FEET COPLANAR WITHIN 0.10/.004 FOR 20, 30 AND 40 CIRCUIT CONNECTORS, WITHIN 0.15/.006 FOR 50 AND 70 CIRCUIT CONNECTORS
- * CONTACT PLANT FOR MORE INFORMATION
- DATE CODE: 4 DIGIT (3 DIGIT DAY, 1 DIGIT YEAR)
- THE CIRCUIT 1 INDICATOR MAY VARY IN SIZE AND APPEARANCE.



THIS DRAWING CONTAINS INFORMATION THAT IS PROPRIETARY TO MOLEX ELECTRONIC TECHNOLOGIES, LLC AND SHOULD NOT BE USED WITHOUT WRITTEN PERMISSION									
DIMENSION UNITS		SCALE		CURRENT REV DESC: OBSOLETE PART NUMBER AS PER PCN#510313				molex	
MM/IN		8:1							
GENERAL TOLERANCES (UNLESS SPECIFIED)				EC NO: 667545				SALES ASSEMBLY Z AXIS PLUGGABLE PCB CONNECTOR	
				DRWN: ABHISP1 2021/06/03					
4 PLACES		±		±		CHK'D: GGA 2021/07/05		PRODUCT CUSTOMER DRAWING	
3 PLACES		±		± 0.005		APPR: GGA 2021/07/05			
2 PLACES		± 0.13		± 0.01		INITIAL REVISION: DRWN: HAVERY 2000/04/06 APPR: MBANAKIS 2000/04/06			
1 PLACE		± 0.25		±					
0 PLACES		±		±		DOCUMENT NUMBER		DOC TYPE DOC PART REVISION	
ANGULAR TOL ± 0.5 °				THIRD ANGLE PROJECTION		DRAWING		SERIES	
DRAFT WHERE APPLICABLE MUST REMAIN WITHIN DIMENSIONS				C-SIZE		74441		MATERIAL NUMBER	
				SEE TABLE		CUSTOMER		SHEET NUMBER	
				GENERAL MARKET		SD-74441-001		1 OF 5	



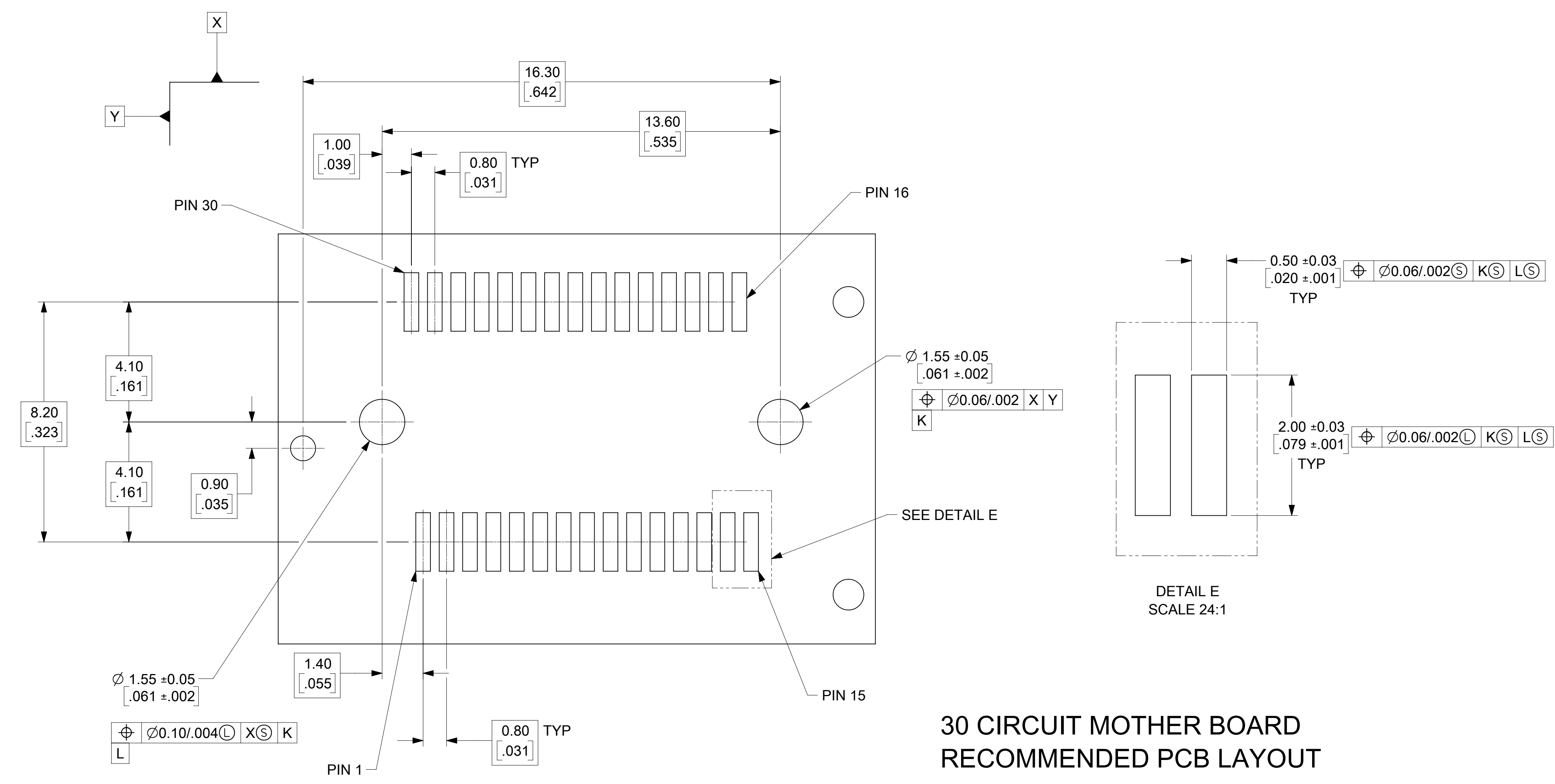
THIS DRAWING CONTAINS INFORMATION THAT IS PROPRIETARY TO MOLEX ELECTRONIC TECHNOLOGIES, LLC AND SHOULD NOT BE USED WITHOUT WRITTEN PERMISSION									
DIMENSION UNITS MM/IN		SCALE 8:1		CURRENT REV DESC: OBSOLETE PART NUMBER AS PER PCN#510313				molex	
GENERAL TOLERANCES (UNLESS SPECIFIED)				EC NO: 667545					
4 PLACES	±			DRWN: ABHISP1		2021/06/03		SALES ASSEMBLY Z AXIS PLUGGABLE PCB CONNECTOR	
3 PLACES	±		± 0.005	CHK'D: GGA		2021/07/05			
2 PLACES	±	0.13	± 0.01	APPR: GGA		2021/07/05		PRODUCT CUSTOMER DRAWING	
1 PLACE	±	0.25		INITIAL REVISION:				DOCUMENT NUMBER	
0 PLACES	±			DRWN: HAVERY		2000/04/06		SD-74441-001	
ANGULAR TOL	±	0.5 °		APPR: MBANAKIS		2000/04/06		PSD 001 AC	
DRAFT WHERE APPLICABLE MUST REMAIN WITHIN DIMENSIONS		THIRD ANGLE PROJECTION		DRAWING		SERIES		MATERIAL NUMBER	
				C-SIZE		74441		SEE TABLE	
				CUSTOMER		GENERAL MARKET		SHEET NUMBER	
								2 OF 5	



20 CIRCUIT MOTHER BOARD RECOMMENDED PCB LAYOUT

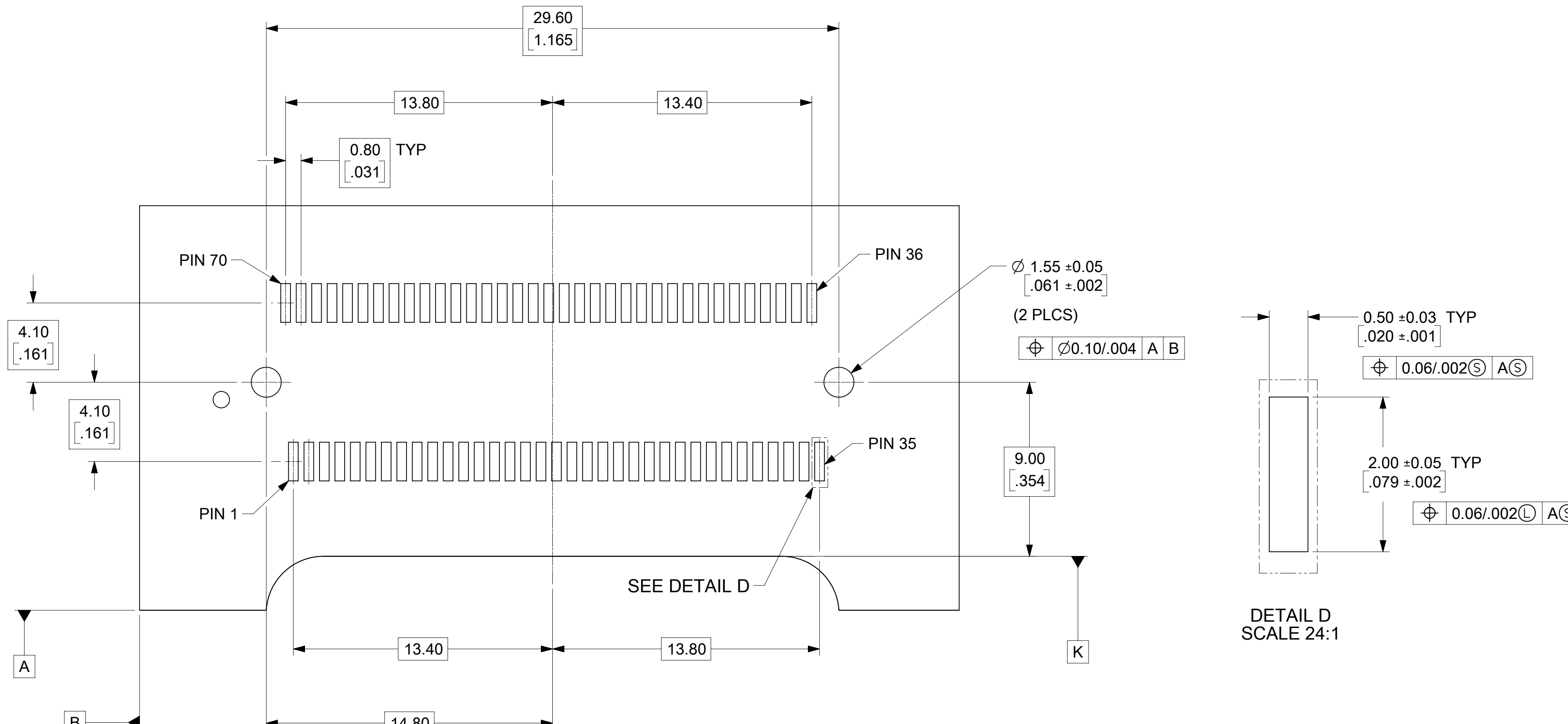
SCALE 10:1

THIS DRAWING CONTAINS INFORMATION THAT IS PROPRIETARY TO MOLEX ELECTRONIC TECHNOLOGIES, LLC AND SHOULD NOT BE USED WITHOUT WRITTEN PERMISSION									
DIMENSION UNITS		SCALE		CURRENT REV DESC: OBSOLETE PART NUMBER AS PER PCN#510313					
MM/IN		10:1		molex SALES ASSEMBLY Z AXIS PLUGGABLE PCB CONNECTOR PRODUCT CUSTOMER DRAWING EC NO: 667545 DRWN: ABHISP1 2021/06/03 CHK'D: GGA 2021/07/05 APPR: GGA 2021/07/05 INITIAL REVISION: DRWN: HAVERY 2000/04/06 APPR: MBANAKIS 2000/04/06					
GENERAL TOLERANCES (UNLESS SPECIFIED)									
	MM	INCH							
4 PLACES	±	±							
3 PLACES	±	± 0.005							
2 PLACES	± 0.13	± 0.01							
1 PLACE	± 0.25	±							
0 PLACES	±	±							
ANGULAR TOL ± 0.5°		THIRD ANGLE PROJECTION		DRAWING		SERIES		DOCUMENT NUMBER	
DRAFT WHERE APPLICABLE MUST REMAIN WITHIN DIMENSIONS				C-SIZE		74441		SD-74441-001	
				MATERIAL NUMBER		CUSTOMER		DOC TYPE DOC PART REVISION	
				SEE TABLE		GENERAL MARKET		PSD 001 AC	
DOCUMENT STATUS		P1		RELEASE DATE		2021/07/05 08:38:25		SHEET NUMBER	
								3 OF 5	



30 CIRCUIT MOTHER BOARD RECOMMENDED PCB LAYOUT

THIS DRAWING CONTAINS INFORMATION THAT IS PROPRIETARY TO MOLEX ELECTRONIC TECHNOLOGIES, LLC AND SHOULD NOT BE USED WITHOUT WRITTEN PERMISSION												
DIMENSION UNITS MM/IN		SCALE 6:1		CURRENT REV DESC: OBSOLETE PART NUMBER AS PER PCN#510313				molex				
GENERAL TOLERANCES (UNLESS SPECIFIED)				EC NO: 667545 DRWN: ABHISP1 2021/06/03 CHK'D: GGA 2021/07/05 APPR: GGA 2021/07/05								
4 PLACES ±		±		INITIAL REVISION: DRWN: HAVERY 2000/04/06 APPR: MBANAKIS 2000/04/06				DOCUMENT NUMBER SD-74441-001		DOC TYPE PSD	DOC PART 001	REVISION AC
3 PLACES ±		± 0.005						MATERIAL NUMBER SEE TABLE		CUSTOMER GENERAL MARKET		SHEET NUMBER 4 OF 5
2 PLACES ±		0.13 ± 0.01		DRAWING C-SIZE		SERIES 74441						
1 PLACE ±		0.25 ±		THIRD ANGLE PROJECTION								
0 PLACES ±		±		DRAFT WHERE APPLICABLE MUST REMAIN WITHIN DIMENSIONS								
ANGULAR TOL ± 0.5°												



70 CIRCUIT MOTHER BOARD RECOMMENDED PCB LAYOUT

THIS DRAWING CONTAINS INFORMATION THAT IS PROPRIETARY TO MOLEX ELECTRONIC TECHNOLOGIES, LLC AND SHOULD NOT BE USED WITHOUT WRITTEN PERMISSION

DIMENSION UNITS	SCALE	CURRENT REV DESC: OBSOLETE PART NUMBER AS PER PCN#510313		<h1 style="margin: 0;">molex</h1>	
MM/IN	6:1				
GENERAL TOLERANCES (UNLESS SPECIFIED)				SALES ASSEMBLY Z AXIS PLUGGABLE PCB CONNECTOR	
	MM	INCH		PRODUCT CUSTOMER DRAWING	
4 PLACES	±	±		DOCUMENT NUMBER	
3 PLACES	±	± 0.005		SD-74441-001	
2 PLACES	± 0.13	± 0.01		DOC TYPE	
1 PLACE	± 0.25	±		PSD	
0 PLACES	±	±		DOC PART	
ANGULAR TOL	± 0.5°			001	
DRAFT WHERE APPLICABLE MUST REMAIN WITHIN DIMENSIONS		THIRD ANGLE PROJECTION		REVISION	
		C-SIZE		AC	
		DRAWING		SERIES	
		74441		MATERIAL NUMBER	
				CUSTOMER	
				GENERAL MARKET	
				SHEET NUMBER	
				5 OF 5	

DOCUMENT STATUS	P1	RELEASE DATE	2021/07/05	08:38:25
-----------------	----	--------------	------------	----------