



**Mallory Sonalert Products, Inc.**

Part #:

**SBT200FL**

**Sales Outline Drawing**

Revision:

**D**

<b>Specifications:</b>	<b>cUL Recognized as capable of meeting Medical Spec IEC60601-1-8 AMD2:2020</b>
Sound Level Category:	Loud
Mode of Operation:	Medical Spec IEC60601-1-8
Voltage Rating:	5, 30 Max
Frequency:	150 to 4000 Hz
Loudness @ 10cm:	85 to 95 dB(A) Typ.
Ipk Current*:	1.5mA at rated voltage
Housing Material:	ABS 777D Plastic Resin, Black
Storage Temperature:	-40° to +85° C
Operating Temperature:	-30° to +65° C
Weight Typical:	0.6 oz (17g)
Options:	Please contact factory.

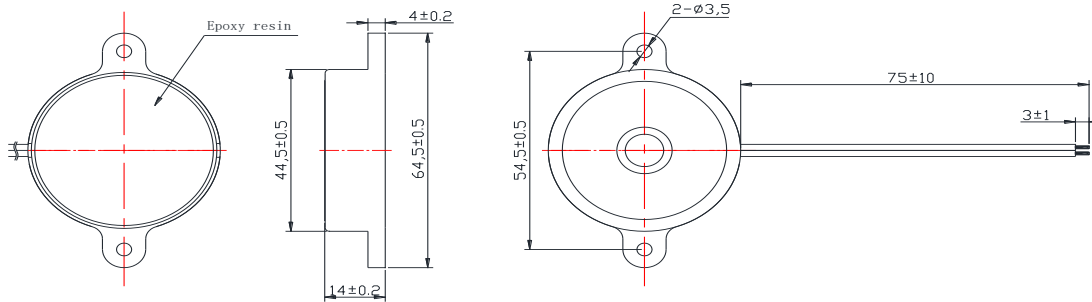
**Dimensions:** Inches (mm) **cUL Recognized** **ROHS Compliant**

PATENT NUMBER: 7880593

Before Code Date: 1546

Not cUL Recognized

After Code Date: 1547 cUL Recognized



\*Ipk = Instantaneous Peak

tolerances:  $\pm 0.01$  [ $\pm 0.3$ ]  
 $\pm 0.005$  [ $\pm 0.1$ ]