

6

5

4

3

2

1

E

E

D

D

C

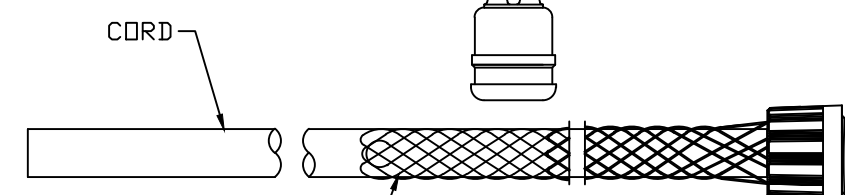
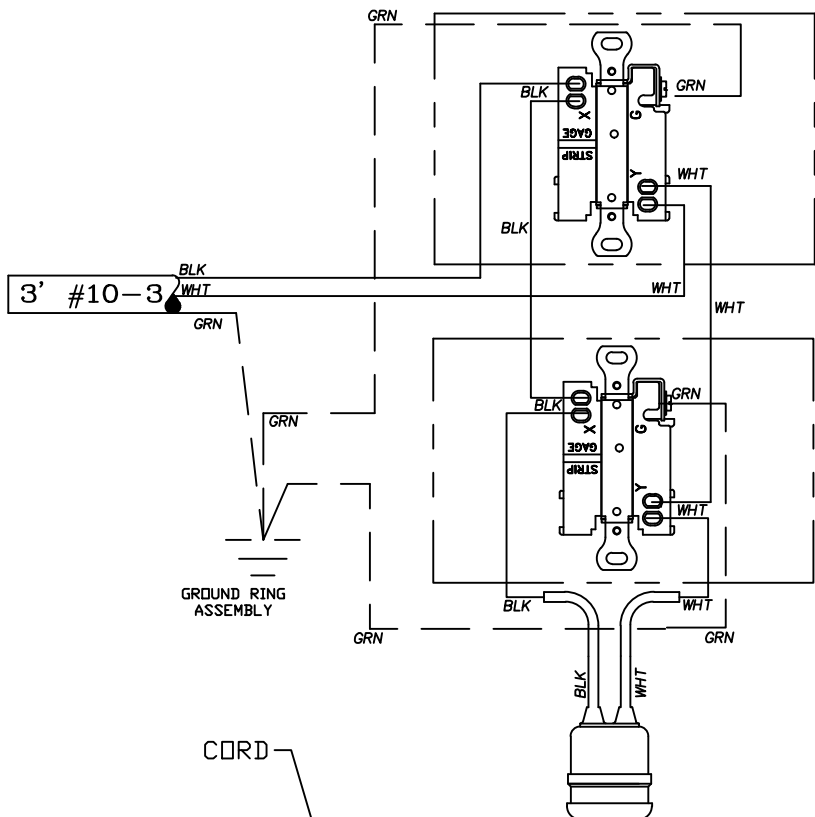
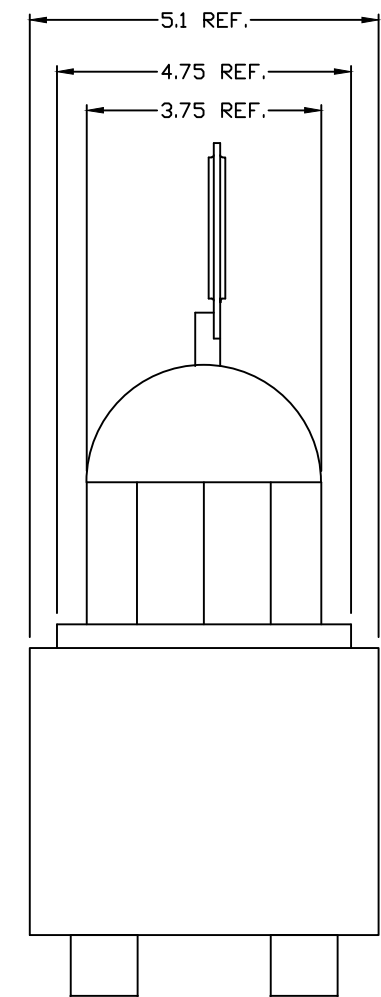
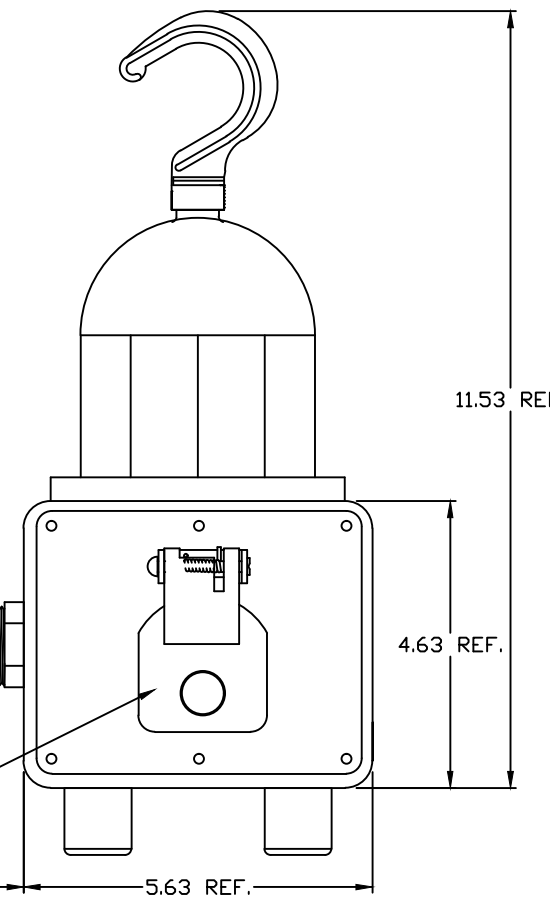
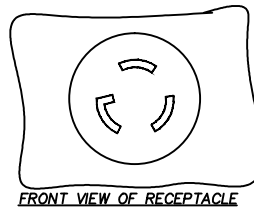
C

B

B

A

A



**PRE-RELEASE
REFERENCE
USE ONLY**

CUSTOMER APPROVAL EC NO: WNA2011-0421 DRWN: HKNEELAN 2011/02/15 CHKD: HKNEELAN APPR: DTITUS 2011/02/21	DESCRIPTION REV A	QUALITY SYMBOLS $\nabla = 0$ $\sphericalangle = 0$	GENERAL TOLERANCES (UNLESS SPECIFIED)		DIMENSION STYLE INCH		SCALE NTS	DESIGN UNITS INCH	THIRD ANGLE PROJECTION		
		4 PLACES \pm -- \pm --	mm \pm --	INCH \pm --	DRAWN BY HK	DATE 2008/06/26	TITLE 3290 LIGHTED OUTLET BOX W/3FT. #10-3 CABLE, MESH (2)NEMA L6-20R 1PER SIDE				
		3 PLACES \pm -- \pm .005	\pm .13	\pm .010	CHECKED BY HKNEELAN	DATE 2011/02/18	MOLEX MOLEX INCORPORATED				
		2 PLACES \pm .13 \pm .010	\pm .25	\pm .020	APPROVED BY DTITUS	DATE 2011/02/21	MATERIAL NO. 1301350384 DOCUMENT NO. SD-130135-042 SHEET NO. 1 OF 1				
DRAFT WHERE APPLICABLE MUST REMAIN WITHIN DIMENSIONS			ANGULAR \pm .5°		THIS DRAWING CONTAINS INFORMATION THAT IS PROPRIETARY TO MOLEX INCORPORATED AND SHOULD NOT BE USED WITHOUT WRITTEN PERMISSION						