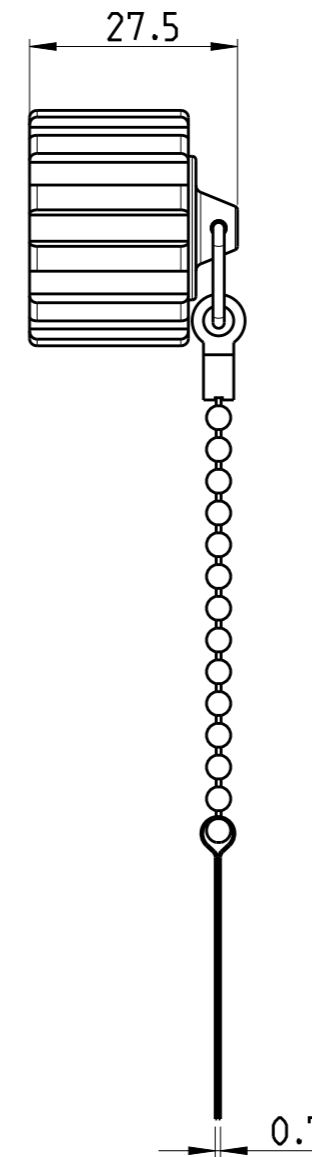
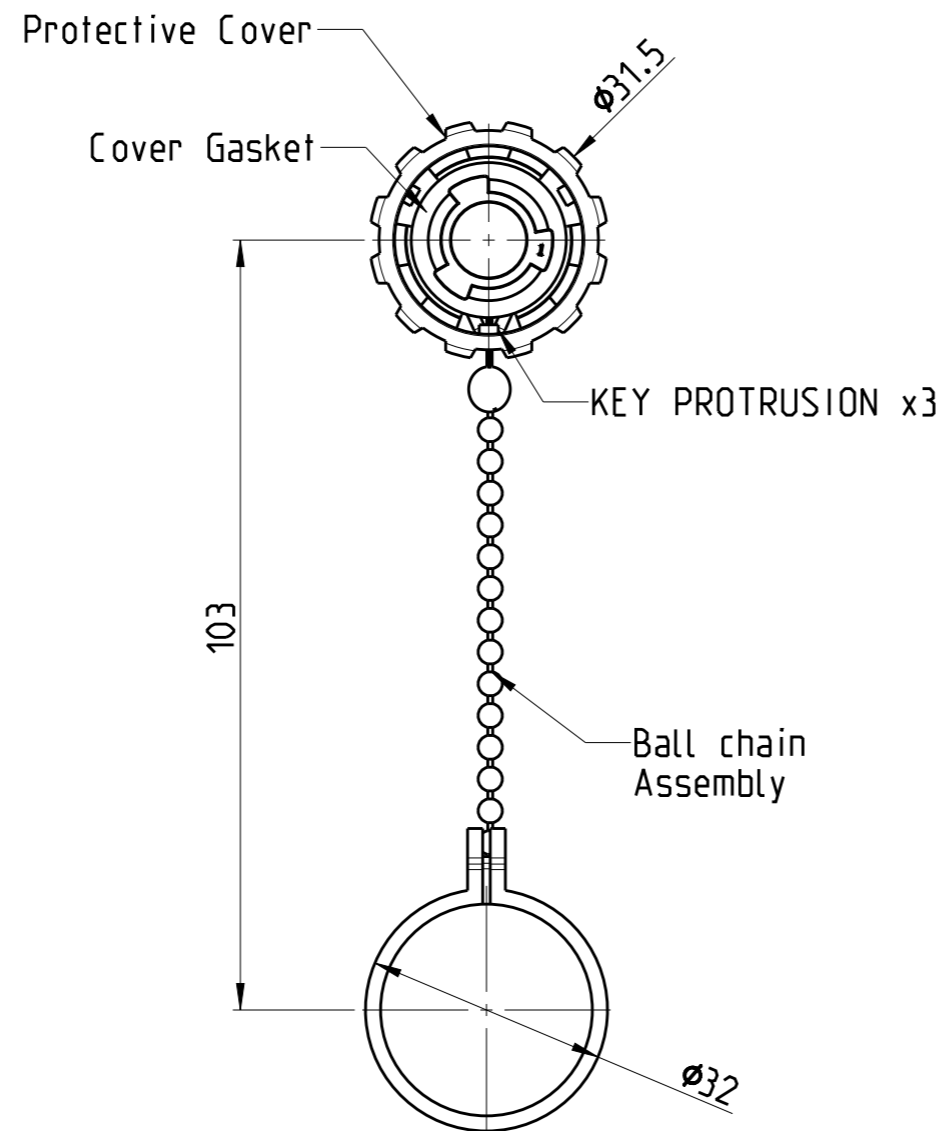


REVISIONS

P	LTR	DESCRIPTION	DATE	DWN	APVD
	A	INITIAL RELEASE	19APR2019	SS	KMA
	B	ECR-19-018070	18NOV2019	SS	JK



2355444-1 AS SHOWN

Notes:

- 1. Material and Finish:
 - Protective Cover: Zinc Die-Cast, Nickel Plated
 - Cover Gasket: Silicon, Color: Transparent
 - Ball Chain Assembly, Copper Alloy and Stainless steel, Nickel Plated

- 2. Operating Temperature: -40°C to +85°C
- 3. IP67 rated when fully mated with the appropriate connector
- 4. RoHS compliant
- 5. Packaging Spec: 107-19763

- 6. Material and Finish:
 - Protective Cover: PBT UL 94 V-0, black
 - Cover Gasket: Silicon, Color: Transparent
 - Tether: PE black

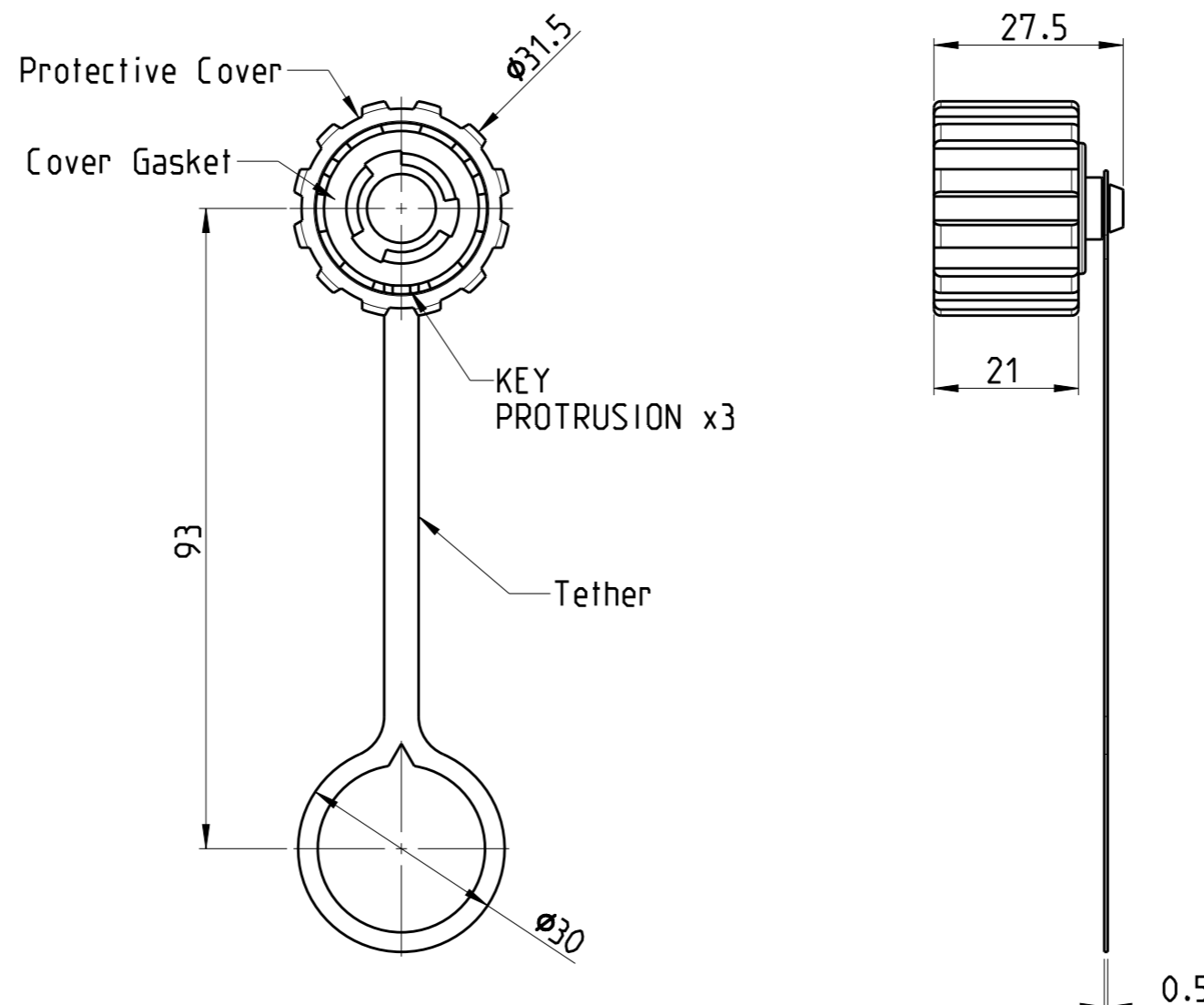
E81956	6	2355444-2
E81956	1	2355444-1
UL NO.	MATERIAL	TEPN

THIS DRAWING IS A CONTROLLED DOCUMENT.		DWN S.SHARMA 19APR2019		
		CHK K.MALCZYK 24APR2019		
		APVD J.de BRULIN 24APR2019	NAME PROTECTIVE COVER ASSEMBLY KIT	
		PRODUCT SPEC -		
		APPLICATION SPEC 114-19162		
		WEIGHT -	SIZE A3	CAGE CODE 00779
		CUSTOMER DRAWING	DRAWING NO C-2355444	RESTRICTED TO -
			SCALE 1:1	SHEET 1 OF 2
				REV B

DIMENSIONS:	TOLERANCES UNLESS OTHERWISE SPECIFIED:
mm	
	0 PLC ±0.50
	1 PLC ±0.38
	2 PLC ±0.25
	3 PLC ±0.10
	4 PLC ±
	ANGLES ±3°
MATERIAL SEE TABLE	FINISH SEE TABLE

REVISIONS

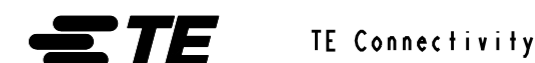
P	LTR	DESCRIPTION	DATE	DWN	APVD
-		SEE SHEET 1	-	-	-



2355444-2 AS SHOWN

THIS DRAWING IS A CONTROLLED DOCUMENT.

DWN S.SHARMA 19APR2019
 CHK K.MALCZYK 24APR2019
 APVD J.de BRULIN 24APR2019



DIMENSIONS:	TOLERANCES UNLESS OTHERWISE SPECIFIED:
mm	
	0 PLC ±0.50
	1 PLC ±0.38
	2 PLC ±0.25
	3 PLC ±0.10
	4 PLC ±
	ANGLES ±3°

PRODUCT SPEC -
 APPLICATION SPEC 114-19162
 WEIGHT -

NAME				RESTRICTED TO	
PROTECTIVE COVER ASSEMBLY KIT				-	
SIZE	CAGE CODE	DRAWING NO	-		
A3	00779	C-2355444	-		

MATERIAL SEE TABLE

FINISH SEE TABLE

CUSTOMER DRAWING

SCALE 1:1 SHEET 2 OF 2 REV B