

4

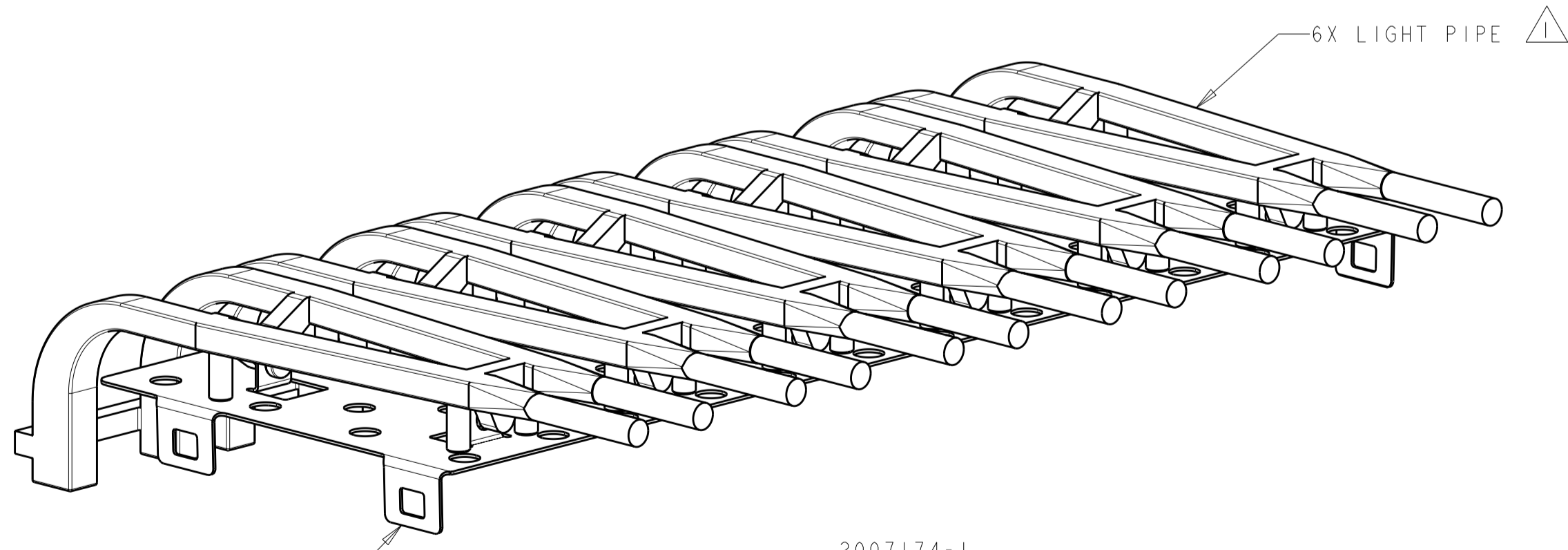
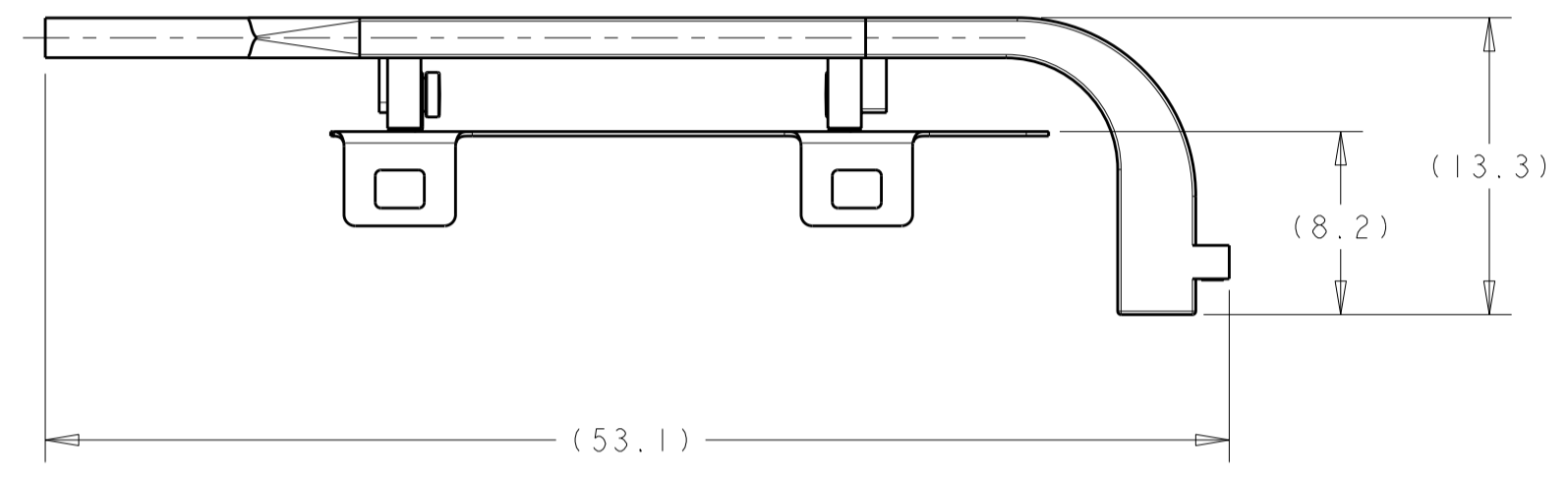
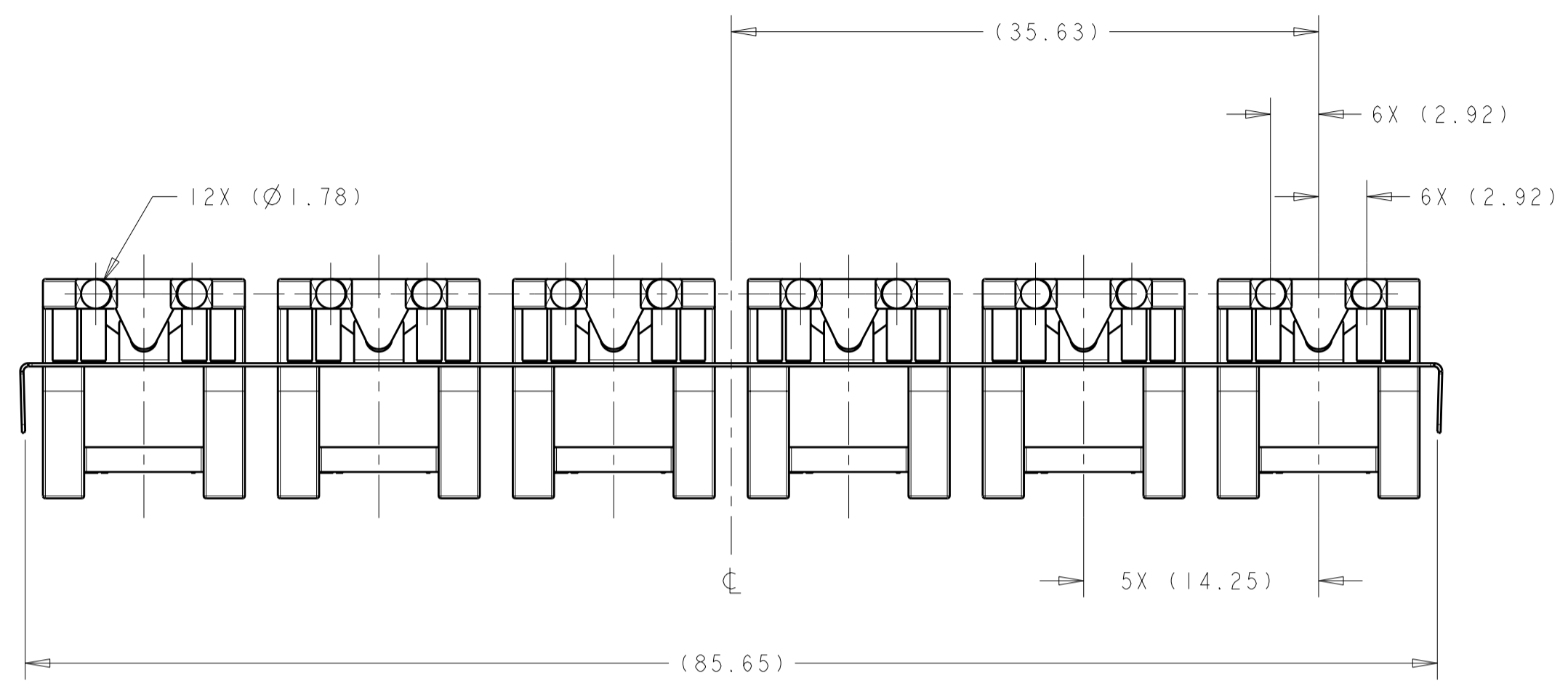
3

2

1

THIS DRAWING IS UNPUBLISHED. RELEASED FOR PUBLICATION 20
 © COPYRIGHT 20 BY TYCO ELECTRONICS CORPORATION. ALL RIGHTS RESERVED.

LOC		DIST		REVISIONS			
P	LTR	DESCRIPTION	DATE	DWN	APVD		
GP	00	A	RELEASED PER ECO-09-004191	23FEB2009	ZMR	MRS	
		B	REV PER ECO-10-020381	06OCT2010	JTL	MRS	



- 1 POLYCARBONATE, CLEAR, UL 94V-2.
- 2 STAINLESS STEEL PER ASTM A 666

2007174-1
 PART NUMBER

1X6 LIGHT PIPE BRACKET

2007174-1

<small>THIS DRAWING IS A CONTROLLED DOCUMENT FOR TYCO ELECTRONICS CORPORATION. IT IS SUBJECT TO CHANGE AND THE CONTROLLING ENGINEERING ORGANIZATION SHOULD BE CONTACTED FOR THE LATEST REVISION.</small>		DWN M.E.COWHER 01 JUN 2007 CHK M.J.PHILLIPS 01 JUN 2007 APVD M.J.PHILLIPS 01 JUN 2007	Tyco Electronics Tyco Electronics Harrisburg, PA 17105-3608
DIMENSIONS: mm	TOLERANCES UNLESS OTHERWISE SPECIFIED: 0 PLC ± 1 PLC ± 2 PLC ± 3 PLC ± 4 PLC ± ANGLES ± FINISH	PRODUCT SPEC 108-2364 APPLICATION SPEC - WEIGHT -	NAME 1X6 LIGHT PIPE ASSEMBLY SFP+ SIZE CAGE CODE DRAWING NO RESTRICTED TO A200779 C-2007174 -
MATERIAL 1 2		CUSTOMER DRAWING	SCALE 3:1 SHEET 1 OF 4 REV B

4

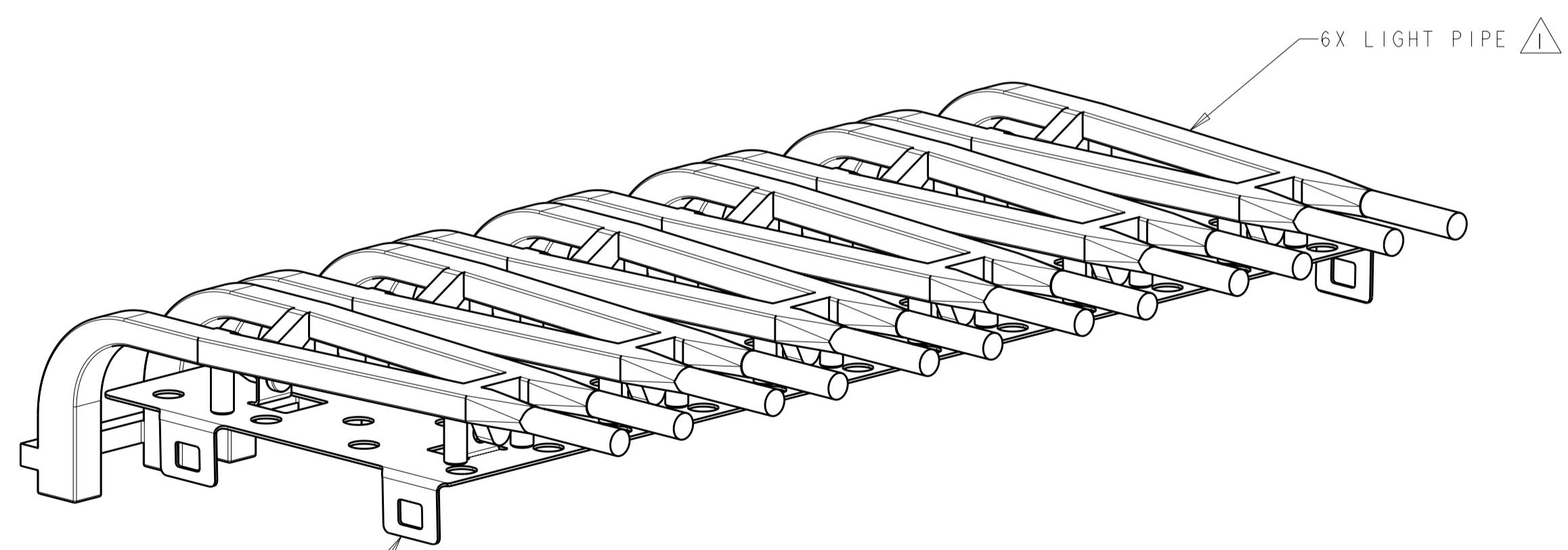
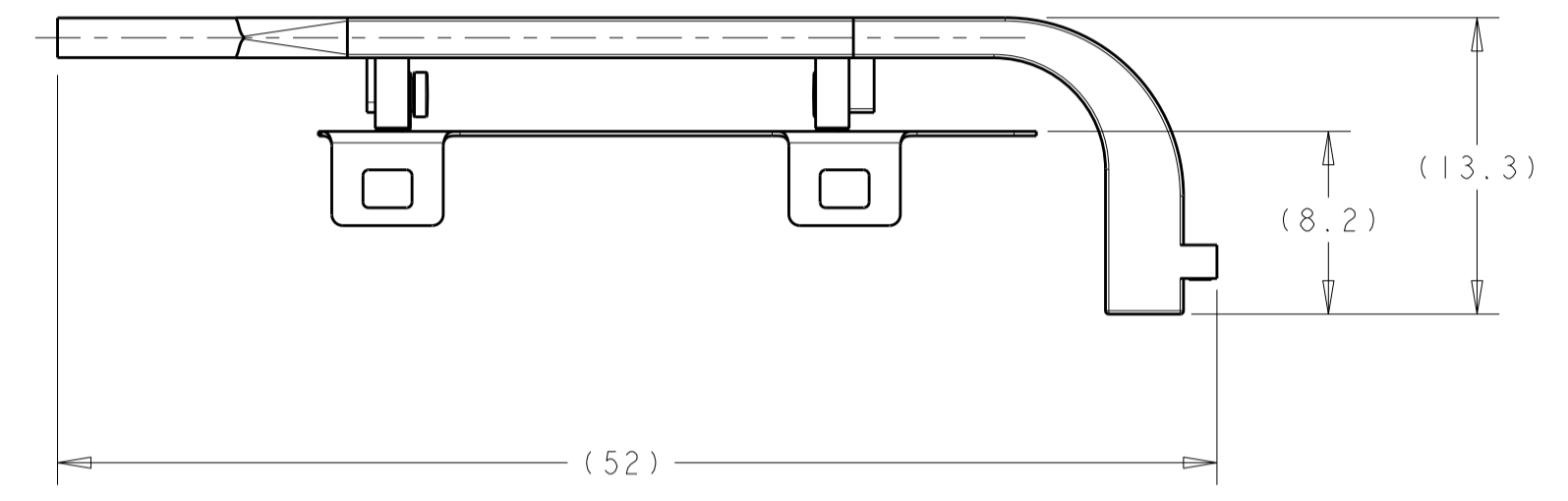
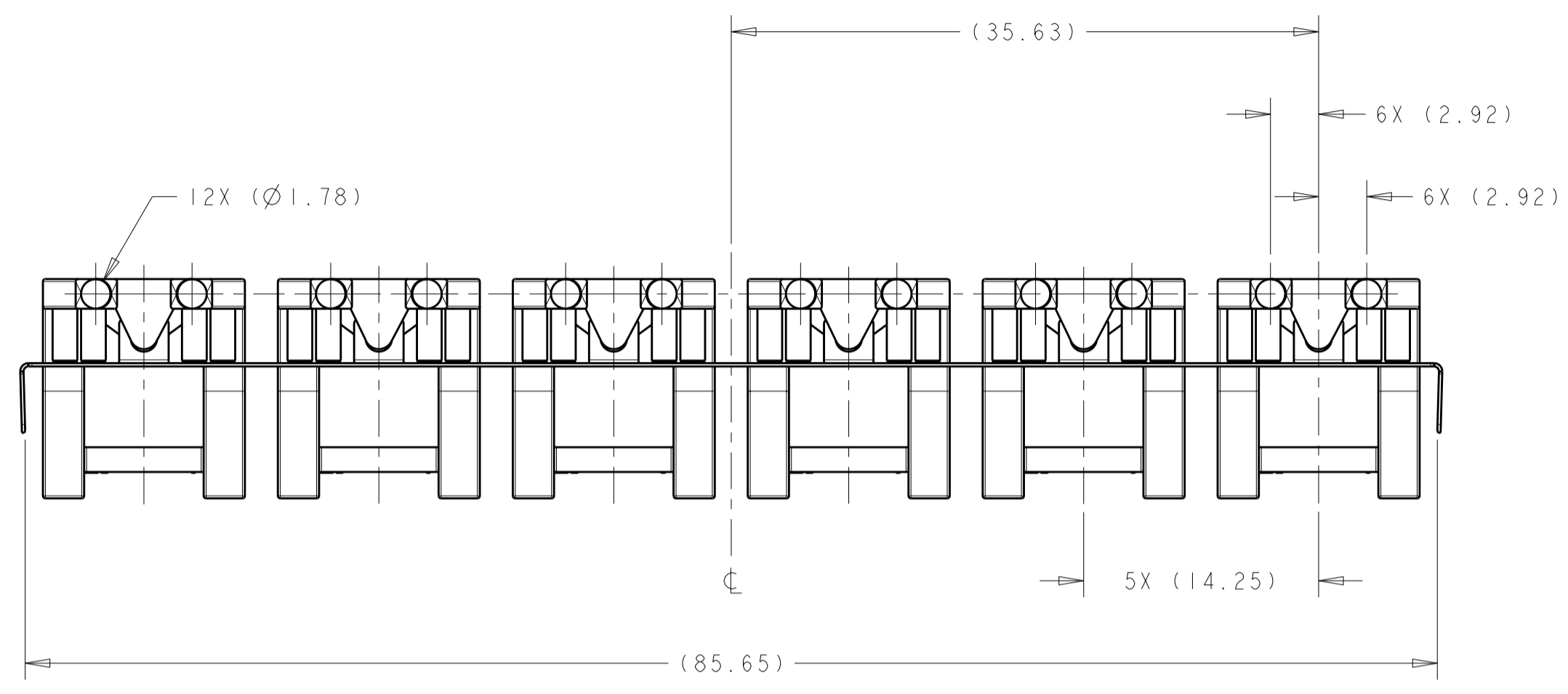
3

2

1

THIS DRAWING IS UNPUBLISHED. RELEASED FOR PUBLICATION 20
 © COPYRIGHT 20 BY TYCO ELECTRONICS CORPORATION. ALL RIGHTS RESERVED.

LOC	DIST	REVISIONS					
GP	00	P	LTR	DESCRIPTION	DATE	DWN	APVD
		-		SEE SHEET 1			



2007174-2
 PART NUMBER

2007174-2

1x6 LIGHT PIPE BRACKET

<small>THIS DRAWING IS A CONTROLLED DOCUMENT FOR TYCO ELECTRONICS CORPORATION. IT IS SUBJECT TO CHANGE AND THE CONTROLLING ENGINEERING ORGANIZATION SHOULD BE CONTACTED FOR THE LATEST REVISION.</small>		DWN M.E.COWHER 01 JUN 2007 CHK M.J.PHILLIPS 01 JUN 2007 APVD M.J.PHILLIPS 01 JUN 2007	Tyco Electronics Tyco Electronics Harrisburg, PA 17105-3608
DIMENSIONS: mm	TOLERANCES UNLESS OTHERWISE SPECIFIED: 0 PLC ± 1 PLC ± 2 PLC ± 3 PLC ± 4 PLC ± ANGLES ± FINISH	PRODUCT SPEC 108-2364 APPLICATION SPEC - WEIGHT -	NAME 1X6 LIGHT PIPE ASSEMBLY SFP+ SIZE CAGE CODE DRAWING NO RESTRICTED TO A200779 C-2007174 -
MATERIAL 1 2	CUSTOMER DRAWING	SCALE 3:1	SHEET 2 OF 4 REV B

4

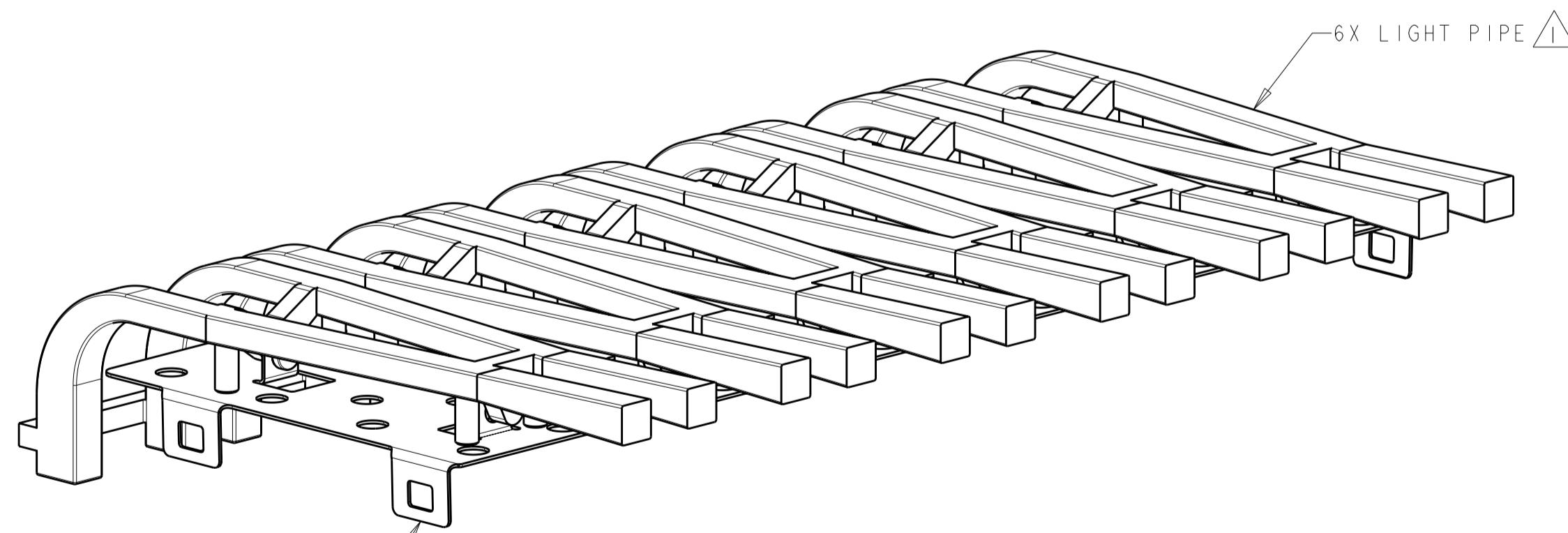
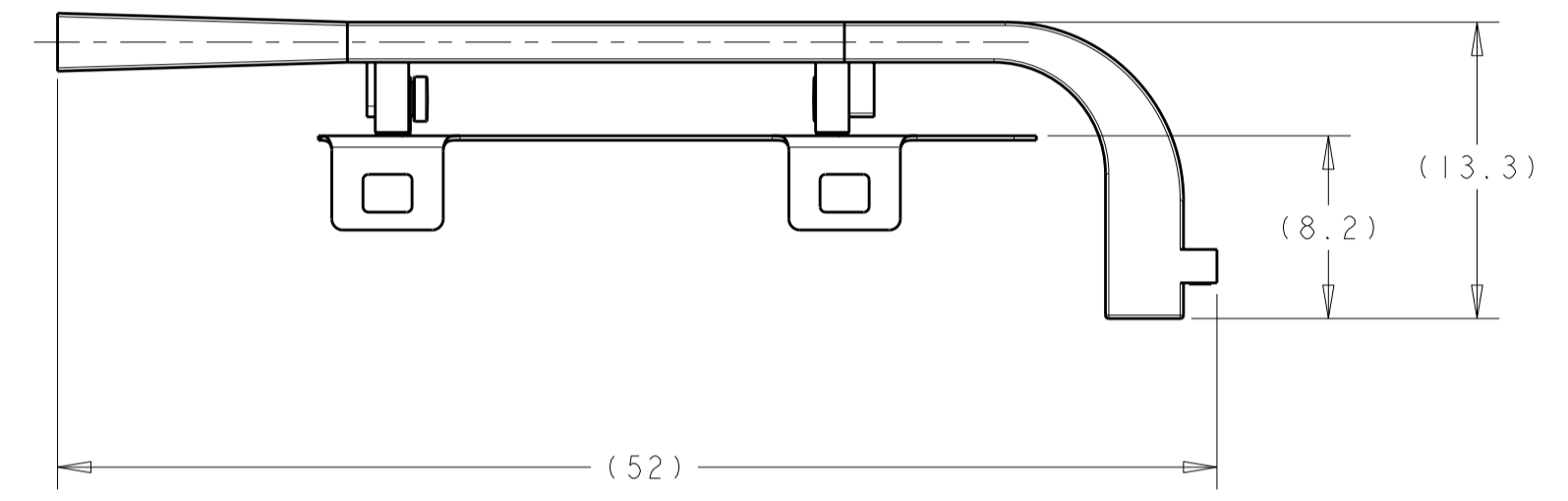
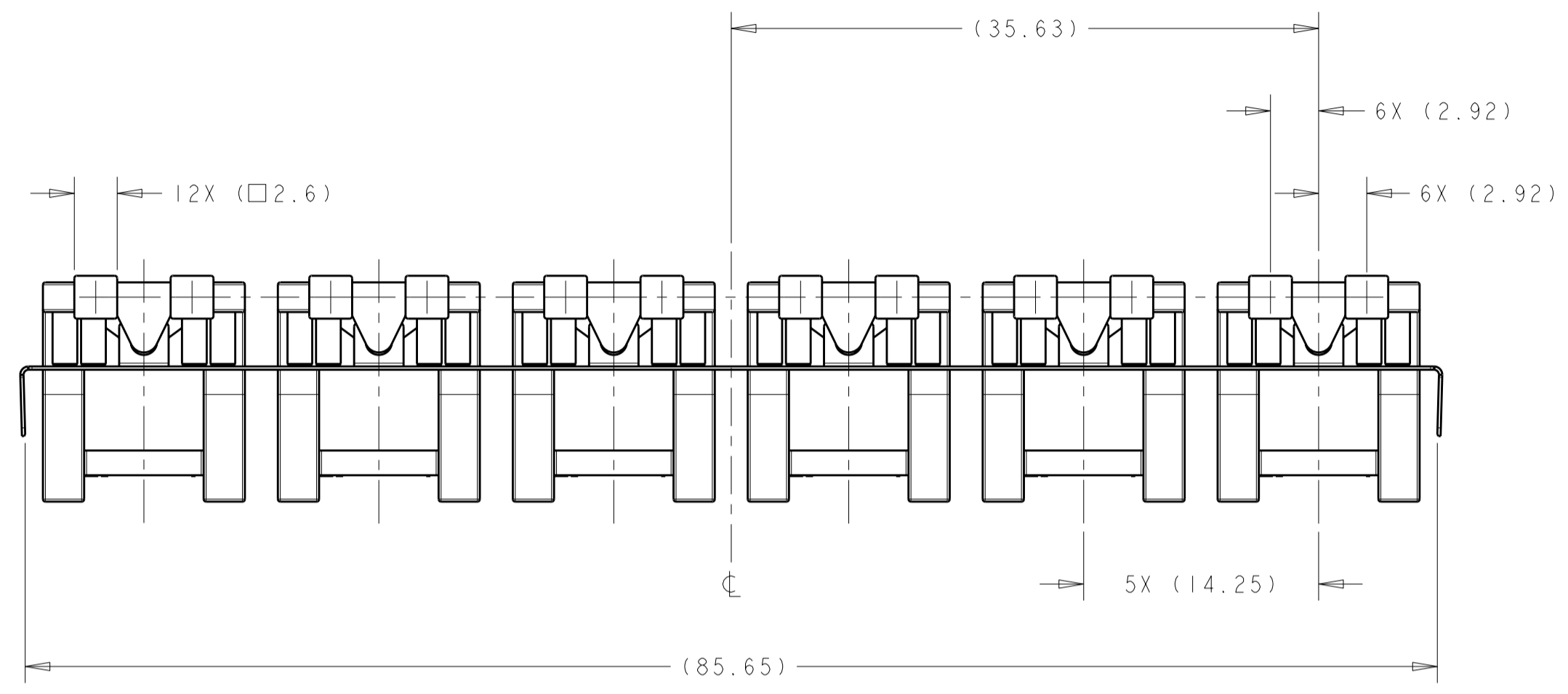
3

2

1

THIS DRAWING IS UNPUBLISHED. RELEASED FOR PUBLICATION 20
 © COPYRIGHT 20 BY TYCO ELECTRONICS CORPORATION. ALL RIGHTS RESERVED.

LOC	DIST	REVISIONS			
P	LTR	DESCRIPTION	DATE	DWN	APVD
GP	00	-	SEE SHEET 1	-	-



2007174-3
 PART NUMBER

2007174-3

1X6 LIGHT PIPE BRACKET

<small>THIS DRAWING IS A CONTROLLED DOCUMENT FOR TYCO ELECTRONICS CORPORATION. IT IS SUBJECT TO CHANGE AND THE CONTROLLING ENGINEERING ORGANIZATION SHOULD BE CONTACTED FOR THE LATEST REVISION.</small>		DWN M.E.COWHER 01 JUN 2007 CHK M.J.PHILLIPS 01 JUN 2007 APVD M.J.PHILLIPS 01 JUN 2007	Tyco Electronics Tyco Electronics Harrisburg, PA 17105-3608
DIMENSIONS: mm 	TOLERANCES UNLESS OTHERWISE SPECIFIED: 0 PLC ± 1 PLC ± 2 PLC ± 3 PLC ± 4 PLC ± ANGLES ± FINISH	PRODUCT SPEC 108-2364 APPLICATION SPEC - WEIGHT -	NAME 1X6 LIGHT PIPE ASSEMBLY SFP+ SIZE CAGE CODE DRAWING NO RESTRICTED TO A200779 C-2007174 -
MATERIAL 	CUSTOMER DRAWING	SCALE 3:1	SHEET 3 OF 4 REV B

4

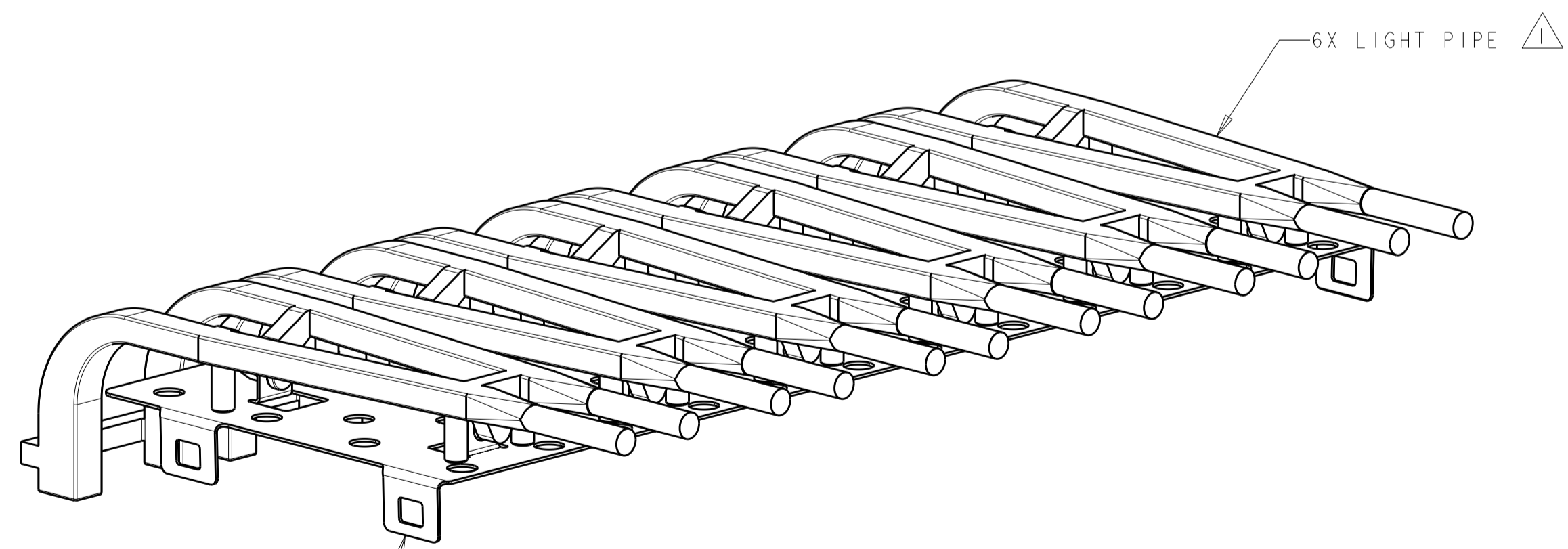
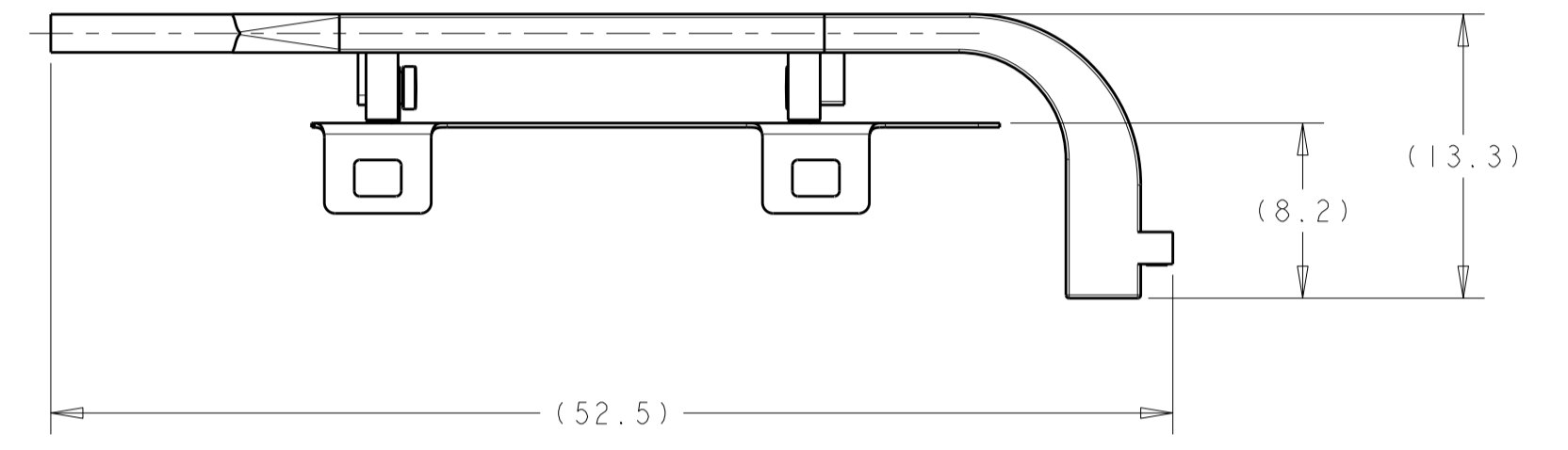
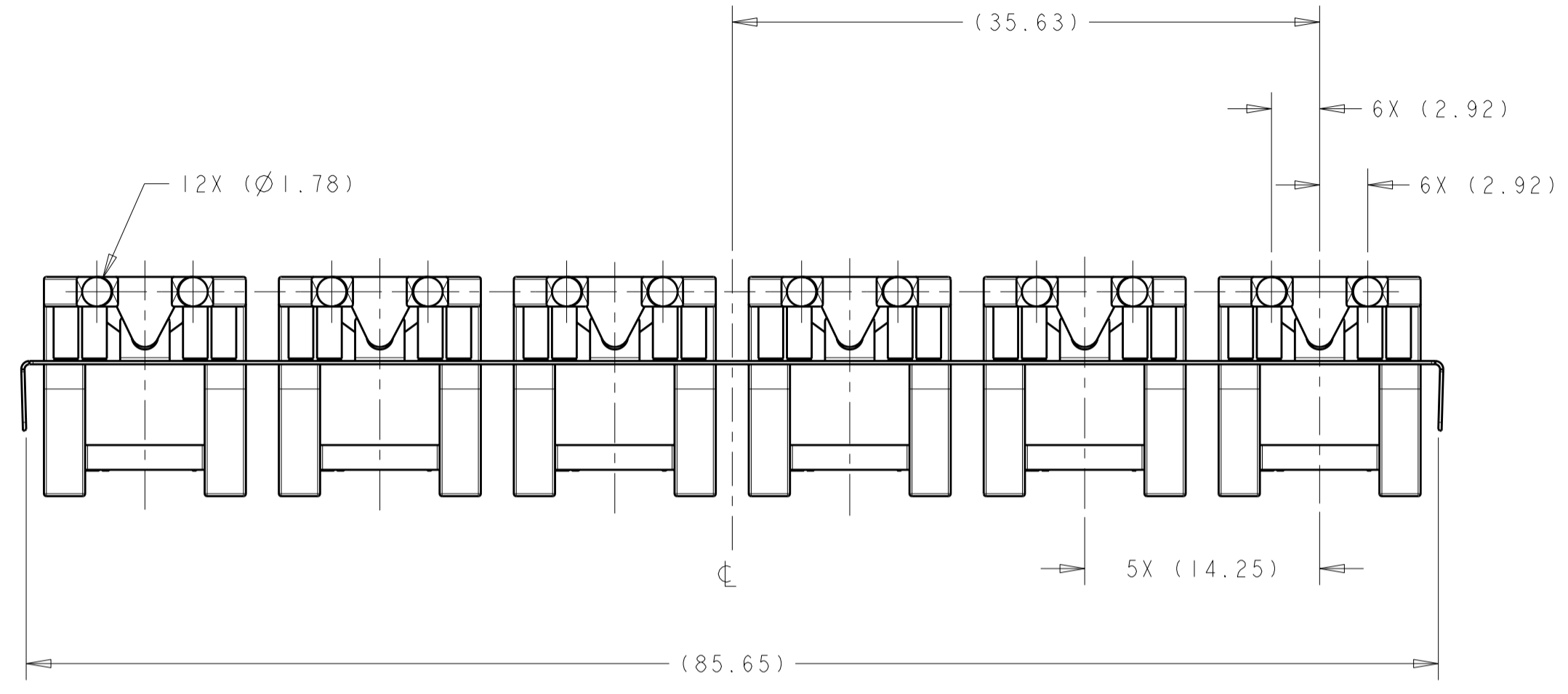
3

2

1

THIS DRAWING IS UNPUBLISHED. RELEASED FOR PUBLICATION 20
 © COPYRIGHT 20 BY TYCO ELECTRONICS CORPORATION. ALL RIGHTS RESERVED.

LOC	DIST	REVISIONS			
P	LTR	DESCRIPTION	DATE	DWN	APVD
GP	00	-	SEE SHEET 1	-	-



2007174-4
 PART NUMBER

2007174-4

1 IX6 LIGHT PIPE BRACKET

<small>THIS DRAWING IS A CONTROLLED DOCUMENT FOR TYCO ELECTRONICS CORPORATION. IT IS SUBJECT TO CHANGE AND THE CONTROLLING ENGINEERING ORGANIZATION SHOULD BE CONTACTED FOR THE LATEST REVISION.</small>		DWN M.E.COWHER 01 JUN 2007 CHK M.J.PHILLIPS 01 JUN 2007 APVD M.J.PHILLIPS 01 JUN 2007	Tyco Electronics Tyco Electronics Harrisburg, PA 17105-3608
DIMENSIONS: mm	TOLERANCES UNLESS OTHERWISE SPECIFIED: 0 PLC ± 1 PLC ± 2 PLC ± 3 PLC ± 4 PLC ± ANGLES ± FINISH	PRODUCT SPEC 108-2364 APPLICATION SPEC - WEIGHT -	NAME IX6 LIGHT PIPE ASSEMBLY SFP+
MATERIAL 		CUSTOMER DRAWING	SIZE A200779
		SCALE 3:1	SHEET 4 OF 4 REV B