

PP-H 1,5/S/1-L RD - Plug

3212696

<https://www.phoenixcontact.com/us/products/3212696>

Please be informed that the data shown in this PDF document is generated from our online catalog. Please find the complete data in the user documentation. Our general terms of use for downloads are valid.



Plug, nom. voltage: 500 V, nominal current: 17.5 A, number of connections: 1, number of positions: 1, connection method: Push-in connection, 1 level, Rated cross section: 1.5 mm², cross section: 0.14 mm² - 1.5 mm², color: red

Product description

Connector element left, left housing without engagement pin, right opened without cover

Your advantages

- Large-surface labeling option
- The Push-in technology COMBI plugs for self-assembly provide solutions that users can implement themselves

Commercial data

Item number	3212696
Packing unit	1 pc
Minimum order quantity	50 pc
Sales key	BE22
Product key	BE2244
GTIN	4055626082455
Weight per piece (including packing)	1.8 g
Weight per piece (excluding packing)	1.8 g
Customs tariff number	85366990
Country of origin	PL

Technical data

Product properties

Product type	Terminal plug
Number of positions	1
Pitch	3.5 mm
Area of application	Machine building
	Plant engineering
Number of connections	1
Number of rows	1
Type	other
Potentials	1

Insulation characteristics

Overvoltage category	III
Degree of pollution	3

Electrical properties

Rated surge voltage	6 kV
Maximum power dissipation for nominal condition	0.56 W

Connection data

Number of connections per level	1
Nominal cross section	1.5 mm ²

1 level

Stripping length	8 mm ... 10 mm
Internal cylindrical gage	A1 / B1
Connection in acc. with standard	IEC 61984
Conductor cross section rigid	0.14 mm ² ... 1.5 mm ²
Cross section AWG	26 ... 14 (converted acc. to IEC)
Conductor cross section flexible	0.14 mm ² ... 1.5 mm ²
Conductor cross section, flexible [AWG]	26 ... 14 (converted acc. to IEC)
Conductor cross-section flexible (ferrule without plastic sleeve)	0.14 mm ² ... 1.5 mm ²
Flexible conductor cross section (ferrule with plastic sleeve)	0.14 mm ² ... 1 mm ²
Nominal current	17.5 A (observe derating)
Maximum load current	17.5 A (with 1.5 mm ² conductor cross section)
Nominal voltage	500 V
Nominal cross section	1.5 mm ²

1 level Connection cross sections directly pluggable

Conductor cross section rigid	0.25 mm ² ... 1.5 mm ²
Conductor cross-section flexible (ferrule without plastic sleeve)	0.34 mm ² ... 1.5 mm ²
Flexible conductor cross section (ferrule with plastic sleeve)	0.34 mm ² ... 1 mm ²

PP-H 1,5/S/1-L RD - Plug



3212696

<https://www.phoenixcontact.com/us/products/3212696>

Dimensions

Width	3.5 mm
Height	16.5 mm
Depth	31.3 mm
Pitch	3.5 mm

Material specifications

Color	red
Flammability rating according to UL 94	V0
Insulating material group	I
Insulating material	PA
Static insulating material application in cold	-60 °C
Temperature index of insulation material (DIN EN 60216-1 (VDE 0304-21))	125 °C
Relative insulation material temperature index (Elec., UL 746 B)	125 °C

Mechanical properties

Mechanical data

Open side panel	Yes
-----------------	-----

Standards and regulations

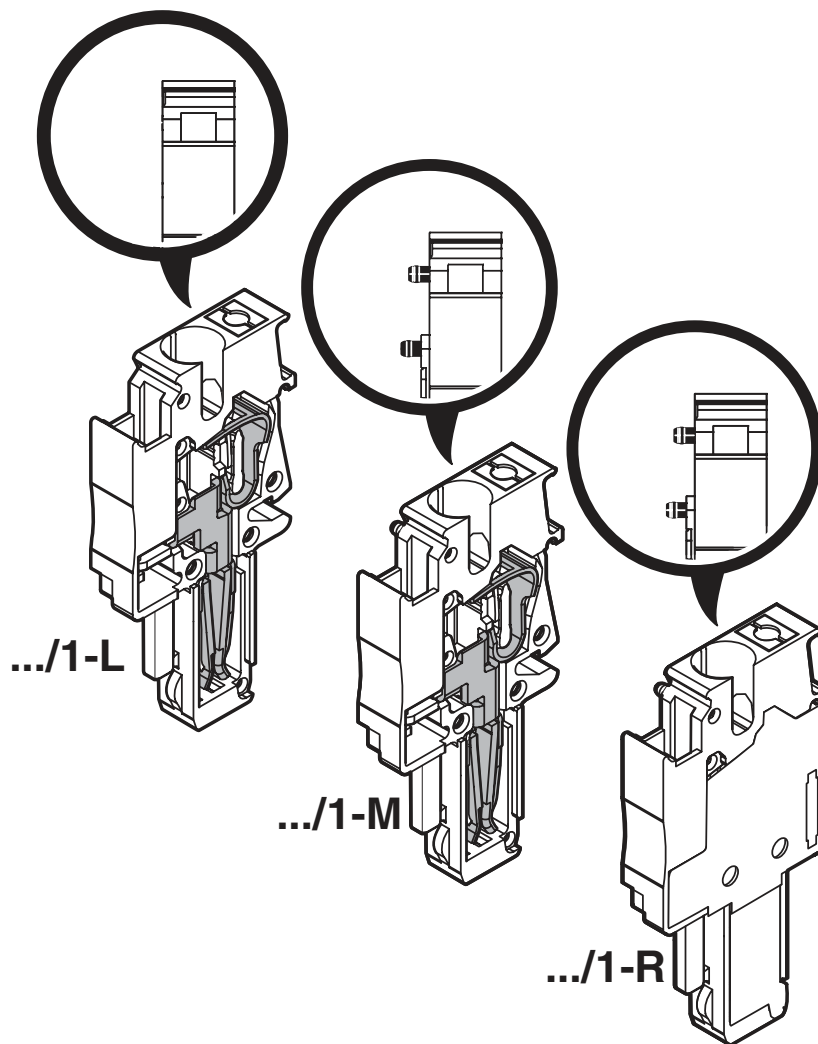
Connection in acc. with standard	IEC 61984
----------------------------------	-----------

Mounting

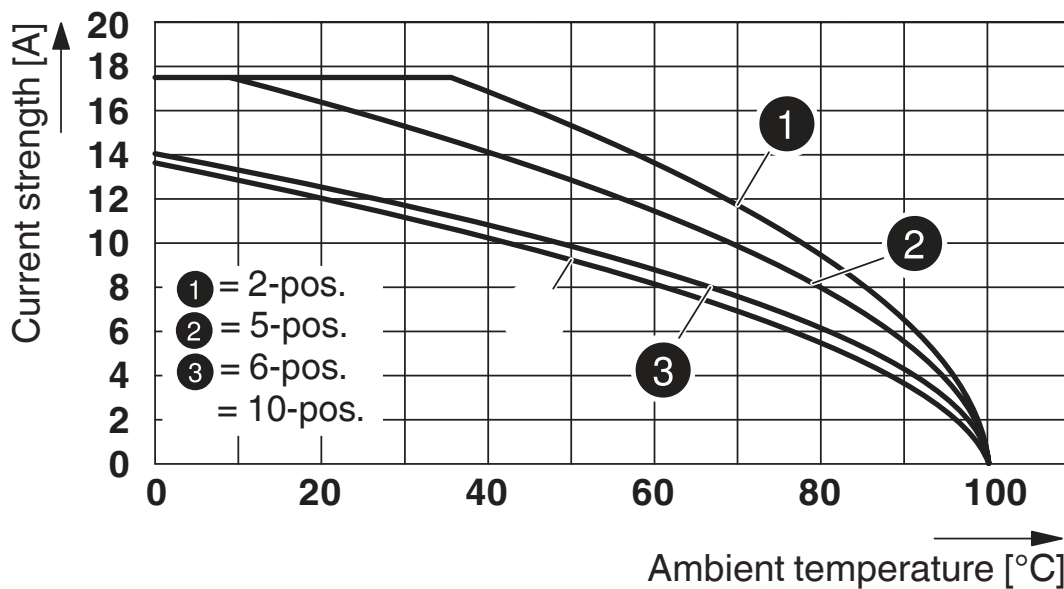
Assembly instructions	Use of a parallel pressing tool is recommended for easy latching of the COMBI connector and coupling elements for self-assembly
-----------------------	---

Drawings

Schematic diagram



Diagram



Circuit diagram



PP-H 1,5/S/1-L RD - Plug



3212696

<https://www.phoenixcontact.com/us/products/3212696>

Approvals

To download certificates, visit the product detail page: <https://www.phoenixcontact.com/us/products/3212696>

DNV

Approval ID: TAE00003JE



IECEE CB Scheme

Approval ID: DE1-65179

Nominal voltage U_N	Nominal current I_N	Cross section AWG	Cross section mm^2
500 V	-	-	0.14 - 1.5



EAC

Approval ID: RU C-DE.BL08.B.00511



LR

Approval ID: LR2371832TA



NK

Approval ID: 14ME0912



BV

Approval ID: 39979/B0 BV



VDE Gutachten mit Fertigungsüberwachung

Approval ID: 40034766

Nominal voltage U_N	Nominal current I_N	Cross section AWG	Cross section mm^2
500 V	-	-	-

PP-H 1,5/S/1-L RD - Plug

3212696

<https://www.phoenixcontact.com/us/products/3212696>



Classifications

ECLASS

ECLASS-11.0	27141151
ECLASS-12.0	27141151
ECLASS-13.0	27250306

ETIM

ETIM 8.0	EC002021
----------	----------

UNSPSC

UNSPSC 21.0	39121400
-------------	----------

PP-H 1,5/S/1-L RD - Plug

3212696

<https://www.phoenixcontact.com/us/products/3212696>



Environmental product compliance

China RoHS	Environmentally friendly use period: unlimited = EFUP-e
	No hazardous substances above threshold values

PP-H 1,5/S/1-L RD - Plug

3212696

<https://www.phoenixcontact.com/us/products/3212696>



Accessories

PR 1,5/S - Latching

3212882

<https://www.phoenixcontact.com/us/products/3212882>



Latching, length: 28.9 mm, width: 3.3 mm, height: 28.9 mm, number of positions: 1, color: orange

PR 1,5/S/2 - Latching

3212895

<https://www.phoenixcontact.com/us/products/3212895>



Latching, length: 28.9 mm, width: 6.8 mm, height: 28.9 mm, number of positions: 2, color: orange

PP-H 1,5/S/1-L RD - Plug

3212696

<https://www.phoenixcontact.com/us/products/3212696>



PRZ 1,5/S - Latching

3212905

<https://www.phoenixcontact.com/us/products/3212905>



Latching, length: 59 mm, color: orange

PZ 1,5/S/2 - Strain relief

3212918

<https://www.phoenixcontact.com/us/products/3212918>



Strain relief, length: 44.5 mm, width: 6.8 mm, height: 44.5 mm, number of positions: 2, color: black

PP-H 1,5/S/1-L RD - Plug

3212696

<https://www.phoenixcontact.com/us/products/3212696>



PH 1,5/S/3 - Cable housing

3212756

<https://www.phoenixcontact.com/us/products/3212756>



Cable housing, pitch: 10.5 mm, length: 19.9 mm, width: 10.5 mm, height: 19.9 mm, number of positions: 3, color: gray

PH 1,5/S/4 - Cable housing

3212769

<https://www.phoenixcontact.com/us/products/3212769>



Cable housing, pitch: 14 mm, length: 19.9 mm, width: 14 mm, height: 19.9 mm, number of positions: 4, color: gray

PP-H 1,5/S/1-L RD - Plug

3212696

<https://www.phoenixcontact.com/us/products/3212696>



PH 1,5/S/5 - Cable housing

3212772

<https://www.phoenixcontact.com/us/products/3212772>



Cable housing, pitch: 17.5 mm, length: 19.9 mm, width: 17.5 mm, height: 19.9 mm, number of positions: 5, color: gray

PH 1,5/S/6 - Cable housing

3212785

<https://www.phoenixcontact.com/us/products/3212785>



Cable housing, pitch: 21 mm, length: 19.9 mm, width: 21 mm, height: 19.9 mm, number of positions: 6, color: gray

PP-H 1,5/S/1-L RD - Plug

3212696

<https://www.phoenixcontact.com/us/products/3212696>



PH 1,5/S/7 - Cable housing

3212798

<https://www.phoenixcontact.com/us/products/3212798>



Cable housing, pitch: 24.5 mm, length: 19.9 mm, width: 24.5 mm, height: 19.9 mm, number of positions: 7, color: gray

PH 1,5/S/8 - Cable housing

3212808

<https://www.phoenixcontact.com/us/products/3212808>



Cable housing, pitch: 28 mm, length: 19.9 mm, width: 28 mm, height: 19.9 mm, number of positions: 8, color: gray

PP-H 1,5/S/1-L RD - Plug

3212696

<https://www.phoenixcontact.com/us/products/3212696>



PH 1,5/S/9 - Cable housing

3212811

<https://www.phoenixcontact.com/us/products/3212811>



Cable housing, pitch: 31.5 mm, length: 19.9 mm, width: 31.5 mm, height: 19.9 mm, number of positions: 9, color: gray

PH 1,5/S/10 - Cable housing

3212824

<https://www.phoenixcontact.com/us/products/3212824>



Cable housing, pitch: 35 mm, length: 19.9 mm, width: 35 mm, height: 19.9 mm, number of positions: 10, color: gray

PP-H 1,5/S/1-L RD - Plug

3212696

<https://www.phoenixcontact.com/us/products/3212696>



PH 1,5/S/11 - Cable housing

3212837

<https://www.phoenixcontact.com/us/products/3212837>



Cable housing, pitch: 38.5 mm, length: 19.9 mm, width: 38.5 mm, height: 19.9 mm, number of positions: 11, color: gray

PH 1,5/S/12 - Cable housing

3212840

<https://www.phoenixcontact.com/us/products/3212840>



Cable housing, pitch: 42 mm, length: 19.9 mm, width: 42 mm, height: 19.9 mm, number of positions: 12, color: gray

PP-H 1,5/S/1-L RD - Plug

3212696

<https://www.phoenixcontact.com/us/products/3212696>



PH 1,5/S/13 - Cable housing

3212853

<https://www.phoenixcontact.com/us/products/3212853>



Cable housing, pitch: 45.5 mm, length: 19.9 mm, width: 45.5 mm, height: 19.9 mm, number of positions: 13, color: gray

PH 1,5/S/14 - Cable housing

3212866

<https://www.phoenixcontact.com/us/products/3212866>



Cable housing, pitch: 49 mm, length: 19.9 mm, width: 49 mm, height: 19.9 mm, number of positions: 14, color: gray

PP-H 1,5/S/1-L RD - Plug

3212696

<https://www.phoenixcontact.com/us/products/3212696>



PH 1,5/S/15 - Cable housing

3212879

<https://www.phoenixcontact.com/us/products/3212879>



Cable housing, pitch: 52.5 mm, length: 19.9 mm, width: 52.5 mm, height: 19.9 mm, number of positions: 15, color: gray

SZF 0-0,4X2,5 - Screwdriver

1204504

<https://www.phoenixcontact.com/us/products/1204504>



Actuation tool, for ST terminal blocks, also suitable for use as a bladed screwdriver, size: 0.4 x 2.5 x 75 mm, 2-component grip, with non-slip grip

PP-H 1,5/S/1-L RD - Plug

3212696

<https://www.phoenixcontact.com/us/products/3212696>



ST-BW 0 - Actuation tool

1200135

<https://www.phoenixcontact.com/us/products/1200135>



Actuation tool, for all 1.5 mm² spring cages from PT 1,5/S and FT 1,5/S

AI-S 1 - 8 TQ - Ferrule

1200293

<https://www.phoenixcontact.com/us/products/1200293>



Ferrule, S-Slimline, sleeve length: 8 mm, length: 14.5 mm, color: turquoise

PP-H 1,5/S/1-L RD - Plug

3212696

<https://www.phoenixcontact.com/us/products/3212696>



PP-H 1,5/S/1-M - Plug

3212688

<https://www.phoenixcontact.com/us/products/3212688>



Plug, nom. voltage: 500 V, nominal current: 17.5 A, number of connections: 1, number of positions: 1, connection method: Push-in connection, 1 level, Rated cross section: 1.5 mm², cross section: 0.14 mm² - 1.5 mm², color: gray

PP-H 1,5/S/1-M BK - Plug

3212694

<https://www.phoenixcontact.com/us/products/3212694>



Plug, nom. voltage: 500 V, nominal current: 17.5 A, number of connections: 1, number of positions: 1, connection method: Push-in connection, 1 level, Rated cross section: 1.5 mm², cross section: 0.14 mm² - 1.5 mm², color: gray

PP-H 1,5/S/1-L RD - Plug

3212696

<https://www.phoenixcontact.com/us/products/3212696>



PP-H 1,5/S/1-M BU - Plug

3212691

<https://www.phoenixcontact.com/us/products/3212691>



Plug, nom. voltage: 500 V, nominal current: 17.5 A, number of connections: 1, number of positions: 1, connection method: Push-in connection, 1 level, Rated cross section: 1.5 mm², cross section: 0.14 mm² - 1.5 mm², color: blue

PP-H 1,5/S/1-M GNYE - Plug

3212701

<https://www.phoenixcontact.com/us/products/3212701>



Plug, nom. voltage: 500 V, nominal current: 17.5 A, number of connections: 1, number of positions: 1, connection method: Push-in connection, 1 level, Rated cross section: 1.5 mm², cross section: 0.14 mm² - 1.5 mm², color: green-yellow

PP-H 1,5/S/1-L RD - Plug

3212696

<https://www.phoenixcontact.com/us/products/3212696>



PP-H 1,5/S/1-M RD - Plug

3212692

<https://www.phoenixcontact.com/us/products/3212692>



Plug, nom. voltage: 500 V, nominal current: 17.5 A, number of connections: 1, number of positions: 1, connection method: Push-in connection, 1 level, Rated cross section: 1.5 mm², cross section: 0.14 mm² - 1.5 mm², color: red

PP-H 1,5/S/1-M/P-GN - Plug

1186129

<https://www.phoenixcontact.com/us/products/1186129>



Plug, nom. voltage: 500 V, nominal current: 17.5 A, number of connections: 1, number of positions: 1, connection method: Push-in connection, 1 level, Rated cross section: 1.5 mm², cross section: 0.14 mm² - 1.5 mm², color: gray

PP-H 1,5/S/1-L RD - Plug

3212696

<https://www.phoenixcontact.com/us/products/3212696>



PP-H 1,5/S/1-R - Plug

3212714

<https://www.phoenixcontact.com/us/products/3212714>



Plug, nom. voltage: 500 V, nominal current: 17.5 A, number of connections: 1, number of positions: 1, connection method: Push-in connection, 1 level, Rated cross section: 1.5 mm², cross section: 0.14 mm² - 1.5 mm², color: gray

PP-H 1,5/S/1-R BU - Plug

3212727

<https://www.phoenixcontact.com/us/products/3212727>



Plug, nom. voltage: 500 V, nominal current: 17.5 A, number of connections: 1, number of positions: 1, connection method: Push-in connection, 1 level, Rated cross section: 1.5 mm², cross section: 0.14 mm² - 1.5 mm², color: blue

PP-H 1,5/S/1-L RD - Plug

3212696

<https://www.phoenixcontact.com/us/products/3212696>



PP-H 1,5/S/1-R GNYE - Plug

3212730

<https://www.phoenixcontact.com/us/products/3212730>



Plug, nom. voltage: 500 V, nominal current: 17.5 A, number of connections: 1, number of positions: 1, connection method: Push-in connection, 1 level, Rated cross section: 1.5 mm², cross section: 0.14 mm² - 1.5 mm², color: green-yellow

PP-H 1,5/S/1-R RD - Plug

3212695

<https://www.phoenixcontact.com/us/products/3212695>



Plug, nom. voltage: 500 V, nominal current: 17.5 A, number of connections: 1, number of positions: 1, connection method: Push-in connection, 1 level, Rated cross section: 1.5 mm², cross section: 0.14 mm² - 1.5 mm², color: red

PP-H 1,5/S/1-L RD - Plug

3212696

<https://www.phoenixcontact.com/us/products/3212696>



PP-H 1,5/S/1-R/P-GN - Plug

1186127

<https://www.phoenixcontact.com/us/products/1186127>



Plug, nom. voltage: 500 V, nominal current: 17.5 A, number of connections: 1, number of positions: 1, connection method: Push-in connection, 1 level, Rated cross section: 1.5 mm², cross section: 0.14 mm² - 1.5 mm², color: gray

ZBF 3,5:UNBEDRUCKT - Zack Marker strip, flat

0829392

<https://www.phoenixcontact.com/us/products/0829392>



Zack Marker strip, flat, Strip, white, unlabeled, can be labeled with: PLOTMARK, CMS-P1-PLOTTER, mounting type: snapped, for terminal block width: 3.5 mm, lettering field size: 3.5 x 5.2 mm, Number of individual labels: 10

PP-H 1,5/S/1-L RD - Plug

3212696

<https://www.phoenixcontact.com/us/products/3212696>



ZBF 3,5 CUS - Zack Marker strip, flat

0829394

<https://www.phoenixcontact.com/us/products/0829394>



Zack Marker strip, flat, can be ordered: Strip, white, labeled according to customer specifications, mounting type: snap into flat marker groove, for terminal block width: 3.5 mm, lettering field size: 3.5 x 5.2 mm, Number of individual labels: 10

ZBF 3,5,LGS:FORTL.ZAHLEN - Zack Marker strip, flat

0801406

<https://www.phoenixcontact.com/us/products/0801406>



Zack Marker strip, flat, Strip, white, labeled, printed horizontally: consecutive numbers 1 ... 10, 11 ... 20, etc. up to 91 ... 100, mounting type: snapped, for terminal block width: 3.5 mm, lettering field size: 5.15 x 3.5 mm, Number of individual labels: 10

PP-H 1,5/S/1-L RD - Plug

3212696

<https://www.phoenixcontact.com/us/products/3212696>



ZBF 3,5,QR:FORTL.ZAHLEN - Zack Marker strip, flat

0801407

<https://www.phoenixcontact.com/us/products/0801407>



Zack Marker strip, flat, Strip, white, labeled, Printed vertically: consecutive numbers 1 ... 10, 11 ... 20, etc. up to 91 ... 100, mounting type: snapped, for terminal block width: 3.5 mm, lettering field size: 5.15 x 3.5 mm, Number of individual labels: 10

UCT-TMF 3,5 - Marker for terminal blocks

0829486

<https://www.phoenixcontact.com/us/products/0829486>



Marker for terminal blocks, Sheet, white, unlabeled, can be labeled with: TOPMARK NEO, TOPMARK LASER, BLUEMARK ID COLOR, BLUEMARK ID, BLUEMARK CLED, THERMOMARK PRIME, THERMOMARK CARD 2.0, THERMOMARK CARD, mounting type: snapped, for terminal block width: 3.5 mm, lettering field size: 2.7 x 4.7 mm, Number of individual labels: 108

PP-H 1,5/S/1-L RD - Plug

3212696

<https://www.phoenixcontact.com/us/products/3212696>



UCT-TMF 3,5 CUS - Marker for terminal blocks

0829644

<https://www.phoenixcontact.com/us/products/0829644>



Marker for terminal blocks, can be ordered: by sheet, white, labeled according to customer specifications, mounting type: snap into flat marker groove, for terminal block width: 3.5 mm, lettering field size: 2.7 x 4.7 mm, Number of individual labels: 108

MPS-MT - Test plugs

0201744

<https://www.phoenixcontact.com/us/products/0201744>



Test plugs, with solder connection up to 1 mm² conductor cross section, number of positions: 1, color: gray

PP-H 1,5/S/1-L RD - Plug

3212696

<https://www.phoenixcontact.com/us/products/3212696>



MPS-IH WH - Insulating sleeve

0201663

<https://www.phoenixcontact.com/us/products/0201663>

Insulating sleeve, color: white



MPS-IH RD - Insulating sleeve

0201676

<https://www.phoenixcontact.com/us/products/0201676>

Insulating sleeve, color: red



PP-H 1,5/S/1-L RD - Plug

3212696

<https://www.phoenixcontact.com/us/products/3212696>



MPS-IH BU - Insulating sleeve

0201689

<https://www.phoenixcontact.com/us/products/0201689>

Insulating sleeve, color: blue



MPS-IH YE - Insulating sleeve

0201692

<https://www.phoenixcontact.com/us/products/0201692>

Insulating sleeve, color: yellow



PP-H 1,5/S/1-L RD - Plug

3212696

<https://www.phoenixcontact.com/us/products/3212696>



MPS-IH GN - Insulating sleeve

0201702

<https://www.phoenixcontact.com/us/products/0201702>

Insulating sleeve, color: green



MPS-IH GY - Insulating sleeve

0201728

<https://www.phoenixcontact.com/us/products/0201728>

Insulating sleeve, color: gray



PP-H 1,5/S/1-L RD - Plug

3212696

<https://www.phoenixcontact.com/us/products/3212696>



MPS-IH BK - Insulating sleeve

0201731

<https://www.phoenixcontact.com/us/products/0201731>

Insulating sleeve, color: black



Phoenix Contact 2023 © - all rights reserved

<https://www.phoenixcontact.com>

Phoenix Contact USA
586 Fulling Mill Road
Middletown, PA 17057, United States
(+717) 944-1300
info@phoenixcon.com