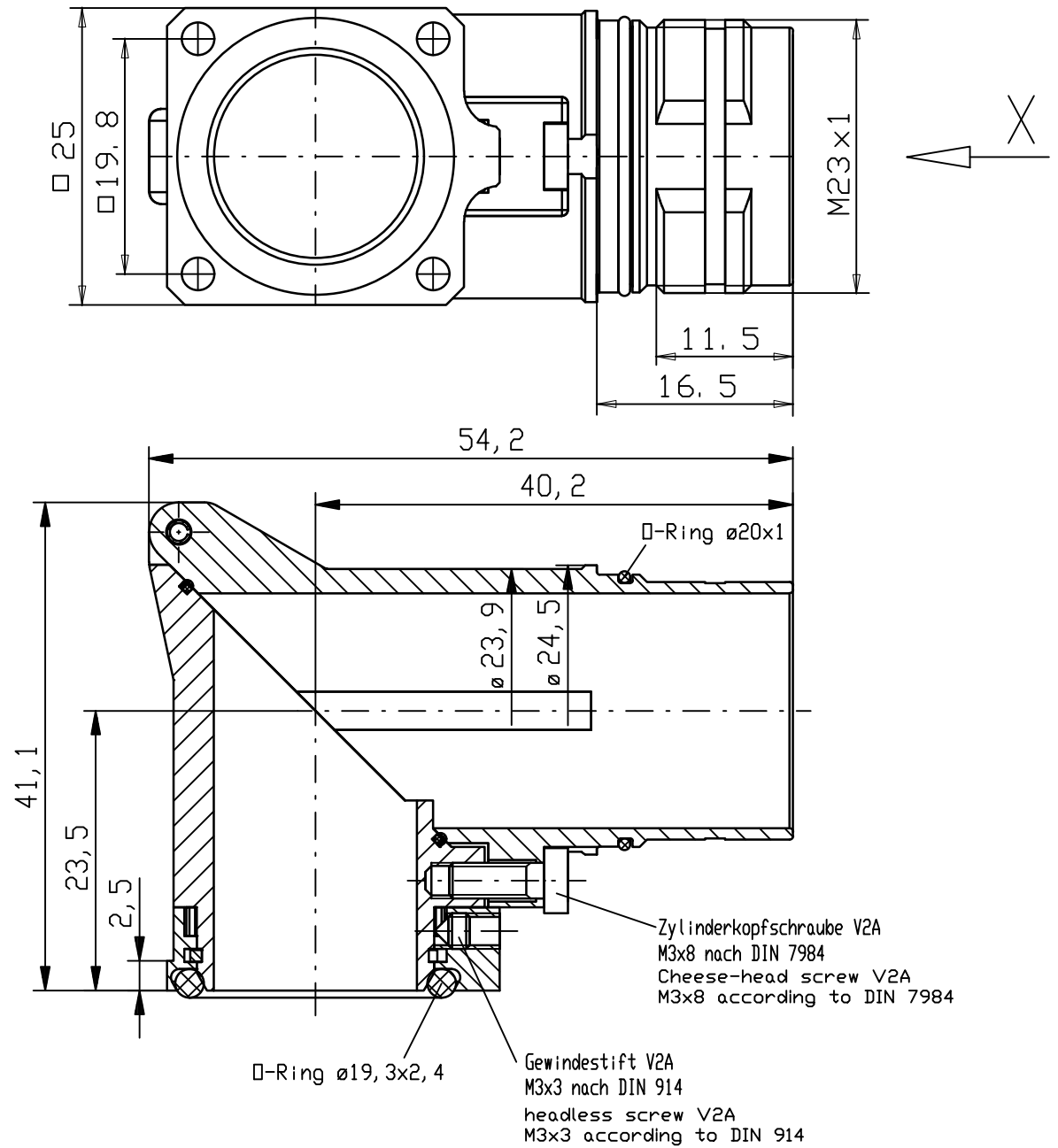
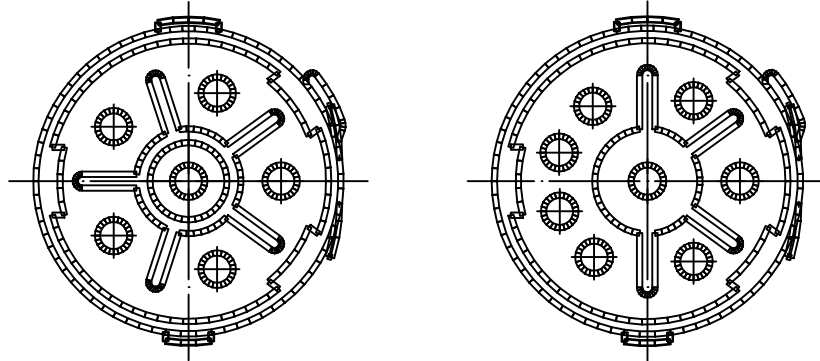


Views from "X" rotated

6-Pole
(5+1)

8-Pole



| | Cable Diameter | Crimp Contacts | Without Contacts |
|-----------------|----------------|--------------------------------------------------|----------------------------|
| 6 Pole (5+PE) | | | KRP6G07-0012 1202340010 |
| | | | |
| 8 Pole (4+3+PE) | | KRP8G07-1112 1202340011 | KRP8G07-0012 1202340012 |
| | Crimp range* | 0,25-1,0mm ² /0,75-2,5mm ² | |

*Crimp range only applies to "Crimp Contacts" version

Notes:

Tolerances (unless specified): DIN ISO 2768 m

| | | | | |
|----------------------------------------------------------------------------------------------------------------------|-----------------------------------------------------------------------------------------------------------------------------------------------|-----------------------------------------|----------------------------------------------------------------------------------------------|------------------------------------------------|
| FUNCTIONAL SYMBOLS $F_A=0$ $F_P=0$ $F_D=0$ DIVISIONAL SYMBOLS | THIS DRAWING CONTAINS INFORMATION THAT IS PROPRIETARY TO MOLEX ELECTRONIC TECHNOLOGIES, LLC AND SHOULD NOT BE USED WITHOUT WRITTEN PERMISSION | | molex REC M23 XP MA RA FM 4 X Ø 2.7MM | |
| | DIMENSION UNITS MM | SCALE NTS | | |
| | GENERAL TOLERANCES (UNLESS SPECIFIED) | | EC NO: 662770 DRWN: SUGEEB 2021/04/02 CHK'D: SUGEEB 2021/04/02 APPR: GGA 2021/06/02 | |
| | DRAFT WHERE APPLICABLE MUST REMAIN WITHIN DIMENSIONS | | INITIAL REVISION: DRWN: BBRAUCH 2008/11/19 APPR: JKOLB 2009/03/02 | |
| DIVISIONAL SYMBOLS | | THIRD ANGLE PROJECTION | | DOCUMENT NUMBER SD-120234-003 |
| 4 PLACES ± --- ± --- 3 PLACES ± --- ± --- 2 PLACES ± 0.05 ± --- 1 PLACE ± 0.1 ± --- 0 PLACES ± --- ± --- | | DRAWING SERIES A3-SIZE 120234 | | DOC TYPE DOC PART REVISION PSD 001 A |
| MATERIAL NUMBER SEE TABLE | | CUSTOMER GENERAL MARKET | | SHEET NUMBER 1 OF 1 |