

PAGE 1/2

ISSUE 22-03-22

SERIE : SPnT

PART NUMBER : R574432430

## RF CHARACTERISTICS

Number of ways : 4  
 Frequency range : 0 - 18 GHz  
 Impedance : 50 Ohms

| Frequency (GHz)    | DC - 3  | 3 - 8   | 8 - 12.4 | 12.4 - 18 |
|--------------------|---------|---------|----------|-----------|
| VSWR max           | 1,20    | 1,30    | 1,40     | 1,50      |
| Insertion loss max | 0.20 dB | 0.30 dB | 0.40 dB  | 0.50 dB   |
| Isolation min      | 80 dB   | 70 dB   | 60 dB    | 60 dB     |
| Average power (*)  | 240 W   | 150 W   | 120 W    | 100 W     |

TERMINATION IMPEDANCE : 50 Ohms  
 TERM. AVG. POWER AT 25° C : 1 W per termination / 3 W total power

## ELECTRICAL CHARACTERISTICS

Actuator : LATCHING  
 Nominal current \*\* : 320 mA / RESET : 1280 mA \*\*\*\*  
 Actuator voltage (Vcc) : 12V (10.2 to 13V) / NEGATIVE COMMON  
 Terminals : solder pins (250°C max. / 30 sec.)  
 Indicator rating : 1 W / 30 V / 100 mA

## MECHANICAL CHARACTERISTICS

Connectors : SMA female per MIL-C 39012  
 Life : 2 million cycles per position  
 Switching Time\*\*\* : < 15 ms  
 Construction : Splashproof  
 Weight : < 250 g

## ENVIRONMENTAL CHARACTERISTICS

Operating temperature range : -40°C to +85°C  
 Storage temperature range : -55°C to +85°C

(\* Average power at 25°C per RF Path)

(\*\* At 25° C ±10%)

(\*\*\* Nominal voltage ; 25° C)

(\*\*\*\* Reset : supply voltage time 1sec. max. / duty cycle 10%)



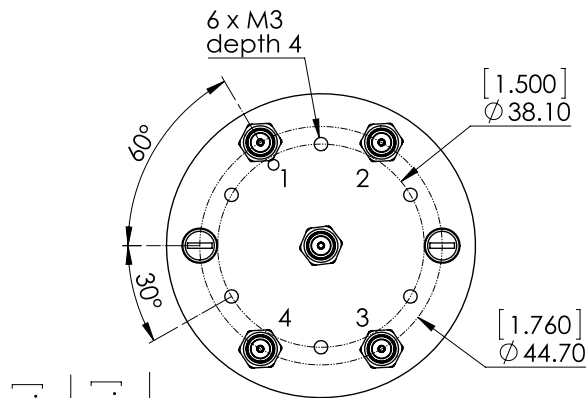
PAGE 2/2

ISSUE 22-03-22

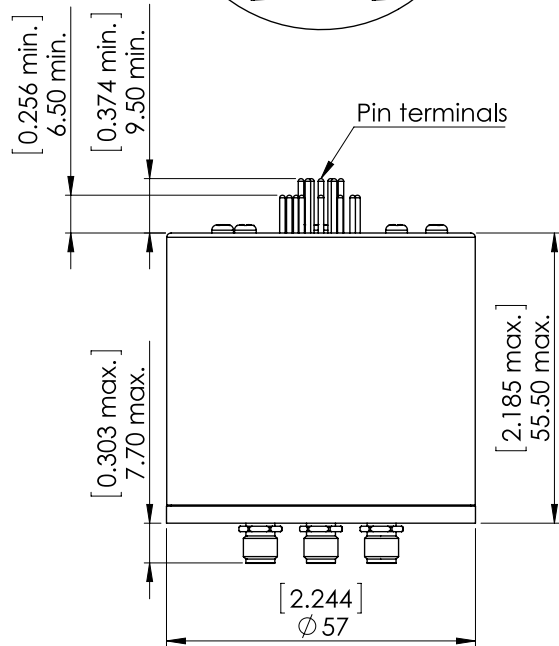
SERIE : SPnT

PART NUMBER : R574432430

DRAWING

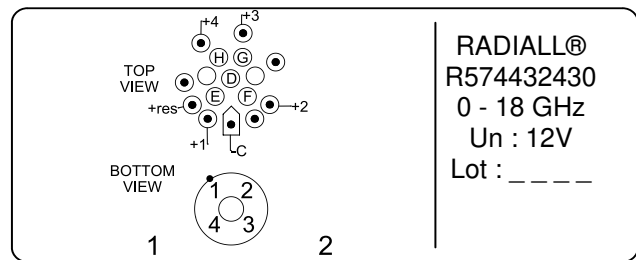


| Voltage   | RF Continuity  | Ind. |
|-----------|----------------|------|
| -C +RESET | All ports open | - -  |
| -C +1     | IN ↔ 1         | D.E  |
| -C +2     | IN ↔ 2         | D.F  |
| -C +3     | IN ↔ 3         | D.G  |
| -C +4     | IN ↔ 4         | D.H  |



General tolerances : ±0,5 mm [0,02 in]

**LABEL**



SCHEMATIC DIAGRAM

