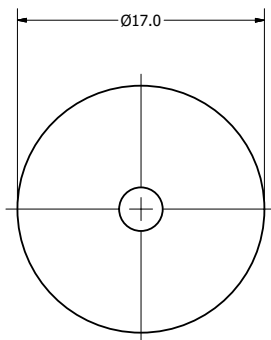
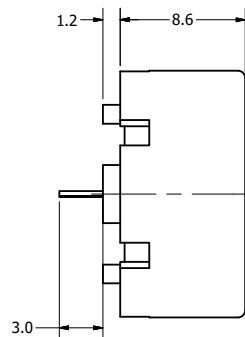


Part Number:	<b>TP172009-1</b>	
	DRAWN	4/21/2017
	CHECKED	4/21/2017
Description:	Piezo Transducer	APPROVED
		C.E.
This document contains data proprietary to DB Unlimited. Any use or reproduction, in any form, without prior written permission of DB Unlimited is prohibited. All terms and conditions can be found at <a href="http://www.dbunlimitedco.com">www.dbunlimitedco.com</a>		

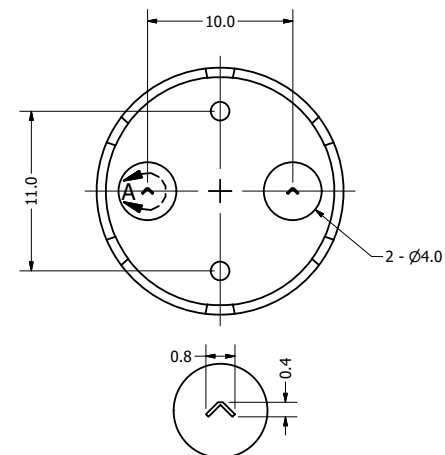
Top View



Side View



Bottom View



DETAIL A  
SCALE 10 : 1

Items	Specifications	Conditions
Sound Pressure Level	>=78	dB (@ 10cm)
Resonant Frequency	2,000	Hz
Rated Voltage	9	Vp-p
Voltage Range	1 ~ 25	V
Capacitance	25,000	pF
Max. Rated Current	7	mA
Storage Temperature	-40 ~ +85	°C
Operating Temperature	-40 ~ +85	°C
Connection Method	PC Pins	
Mount Type	Thru Hole	
Housing Material	NORYL	
Weight	1	g

REVISION HISTORY

REV	DESCRIPTION	DATE	APPROVED
	Released from Engineering	10/21/2013	J.S.
1	Update operating temp, new drawing template	4/24/2017	C.E.

NOTES

- 1) All dimensions are in mm unless otherwise noted
- 2) All tolerances are ± 0.5 mm unless otherwise noted
- 3) All parts meet RoHS
- 4) Subject to change or redrawn without notice