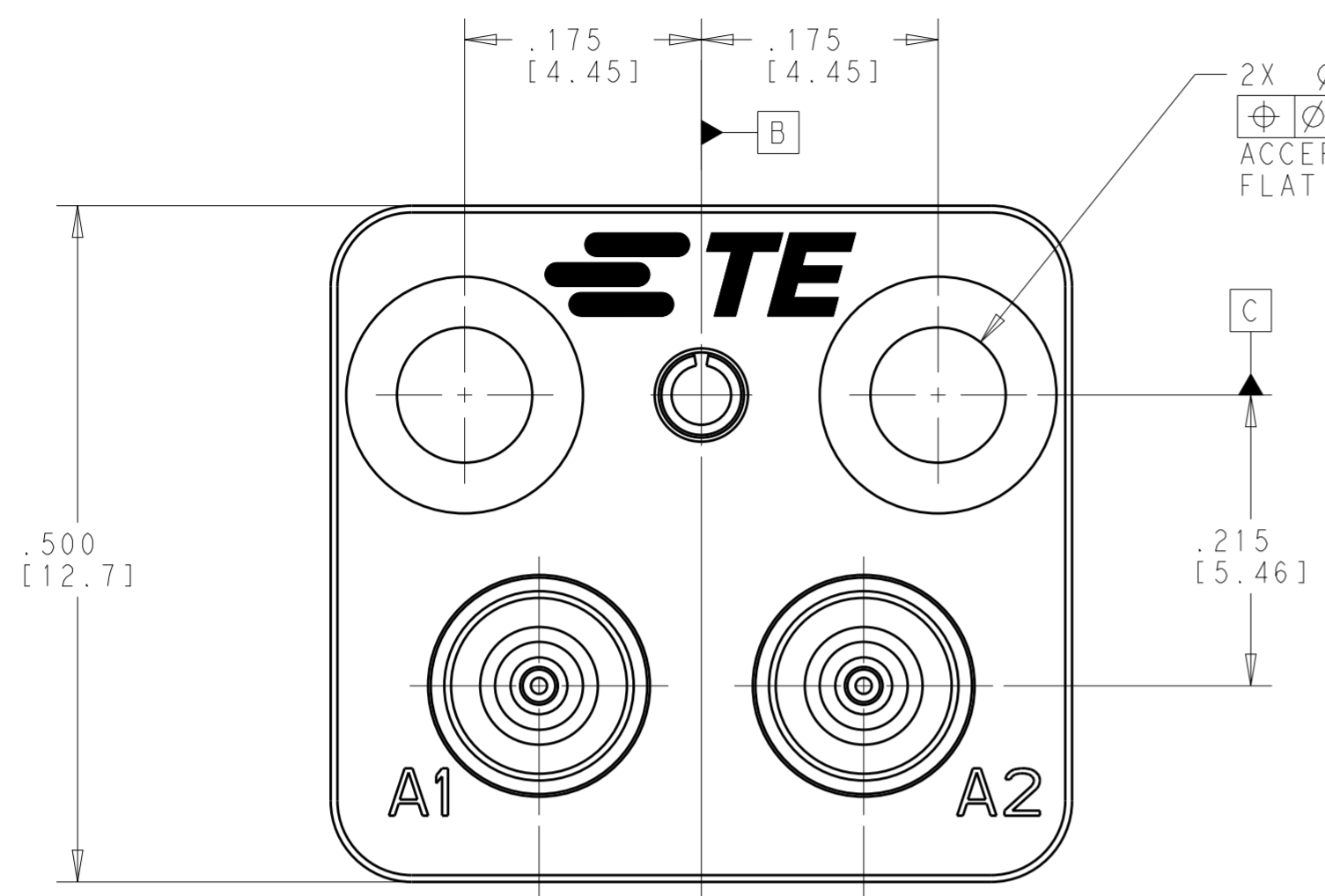
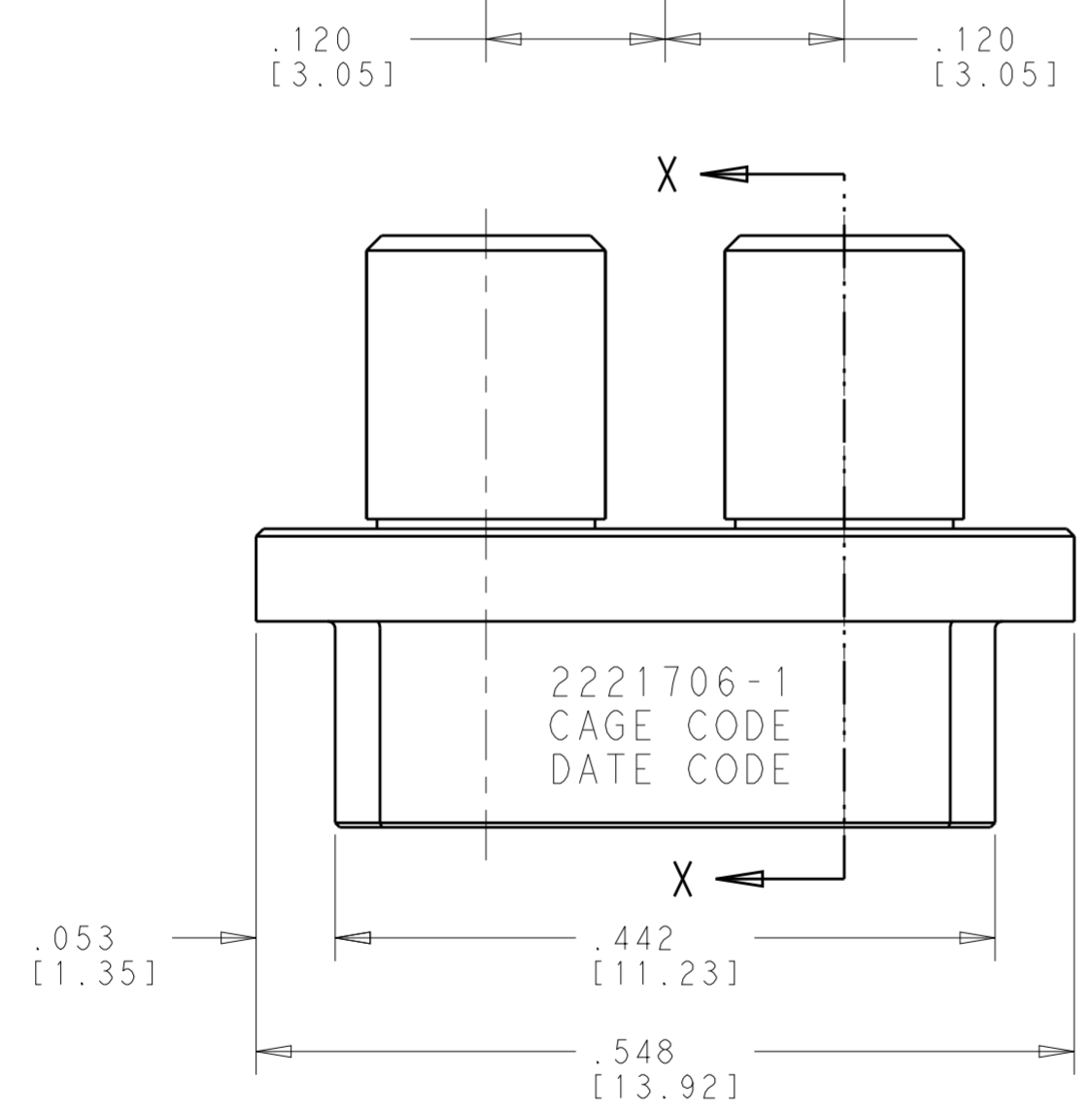
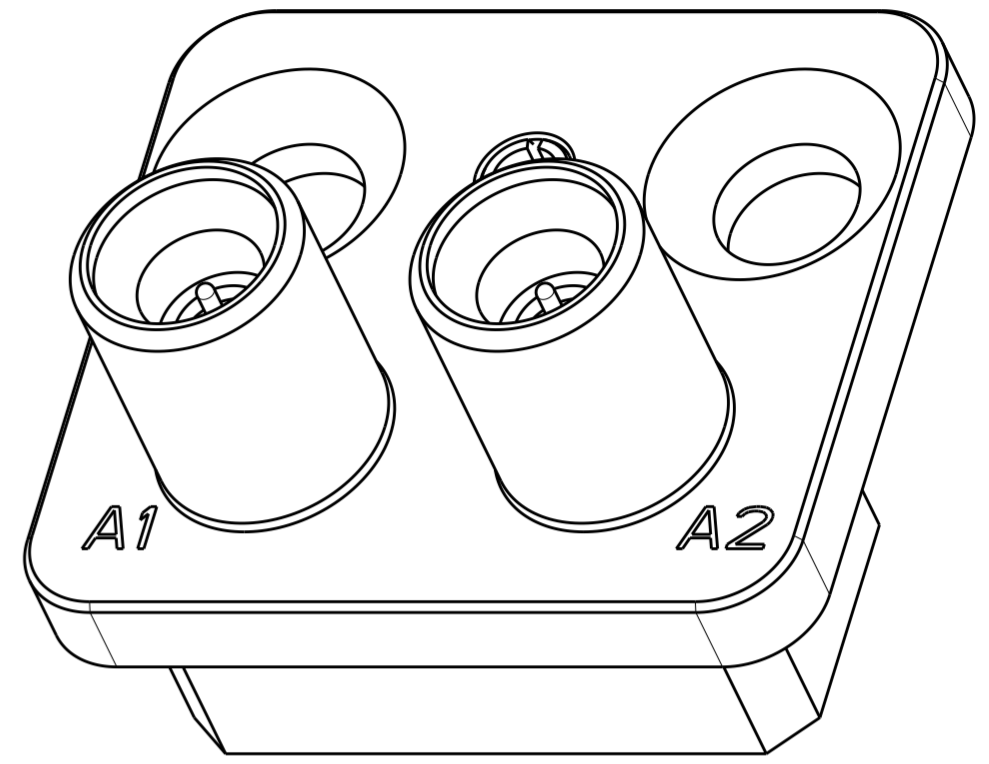


THIS DRAWING IS UNPUBLISHED. RELEASED FOR PUBLICATION 20
 © COPYRIGHT 20 BY - ALL RIGHTS RESERVED.

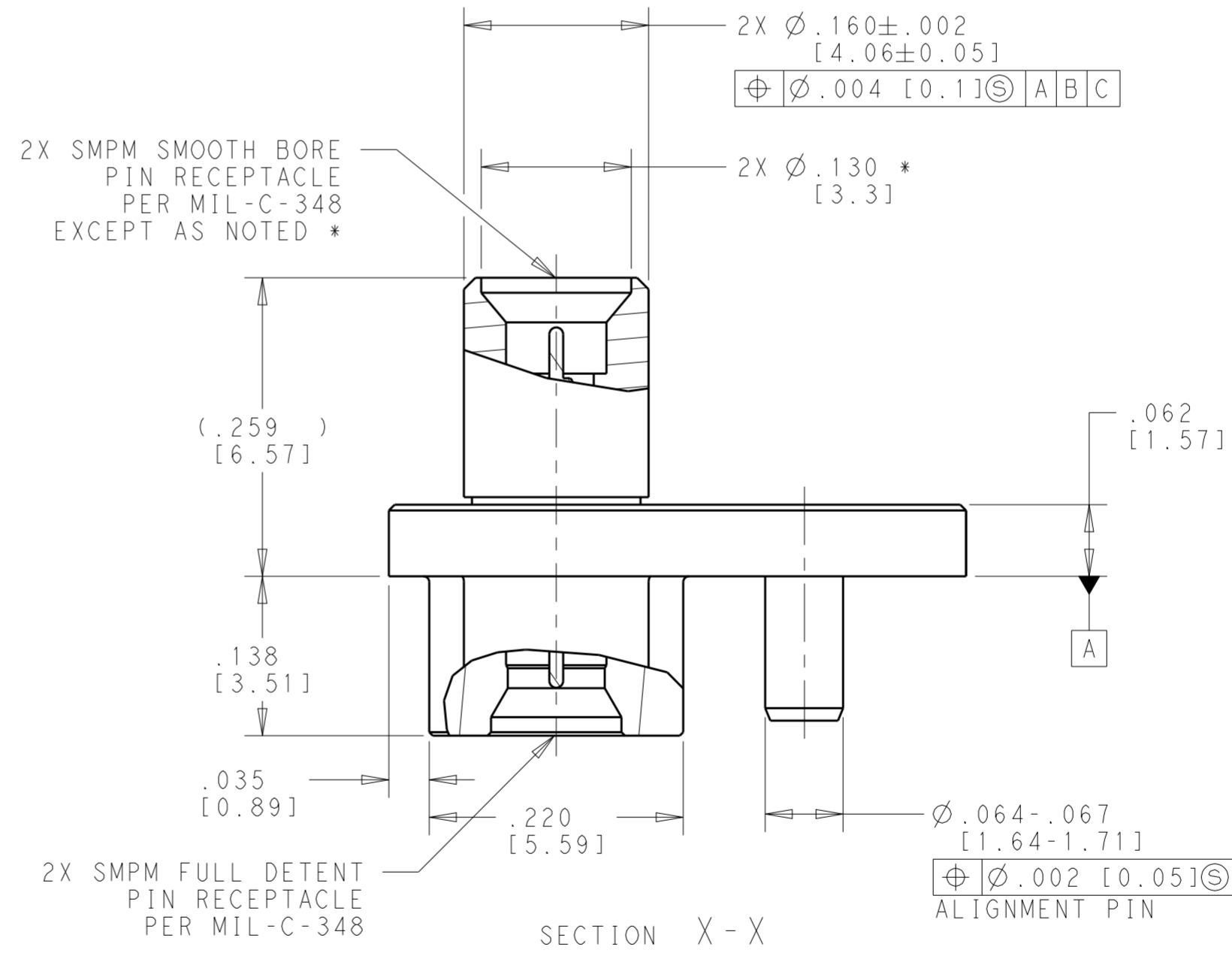
REVISIONS				
P	LTR	DESCRIPTION	DATE	APVD
A		RELEASED PER ECO 15-012005	8-18-15	CT WM



2X \varnothing .100 MOUNTING HOLES
 \varnothing .004 [0.1] A B C
 ACCEPT 2-56 UNC, 100° C SINK
 FLAT HEAD SCREWS



2X SMPM SMOOTH BORE
 PIN RECEPTACLE
 PER MIL-C-348
 EXCEPT AS NOTED *



SECTION X-X

\varnothing .002 [0.05] A B C
 ALIGNMENT PIN

COMPONENT	MATERIAL	FINISH
RF MODULE BODY	STAINLESS STEEL, TYPE 303 PER UNS S 30300	PASSIVATED PER, AMS QQ-P-35
SPRING PIN (ALIGNMENT)	WORK HARDENED NICKEL STAINLESS STEEL	PASSIVATED PER, AMS QQ-P-35
SMPM SMOOTH BORE & CONTACTS	BERYLLIUM COPPER, ALLOY C17300, PER ASTM B196	GOLD PLATE OVER NICKEL
INSULATORS	POLYTETRAFLUOROETHYLENE (PTFE)	N/A

2221706-1
 PART
 NUMBER

THIS DRAWING IS A CONTROLLED DOCUMENT.

DWN	S. T. Morley	27 JAN 2015
CHK	S. T. Morley	27 JAN 2015
APVD	S. T. Morley	27 JAN 2015

TE Connectivity

NAME: 2 POSITION RF BACKPLANE MODULE
 SMPM SB - FD RECEPTACLES

SIZE	CAGE CODE	DRAWING NO	RESTRICTED TO
	A200779	C-2221706	-

WEIGHT: 4.24 g

Customer Drawing SCALE: 8:1 SHEET: 1 OF 1 REV: A