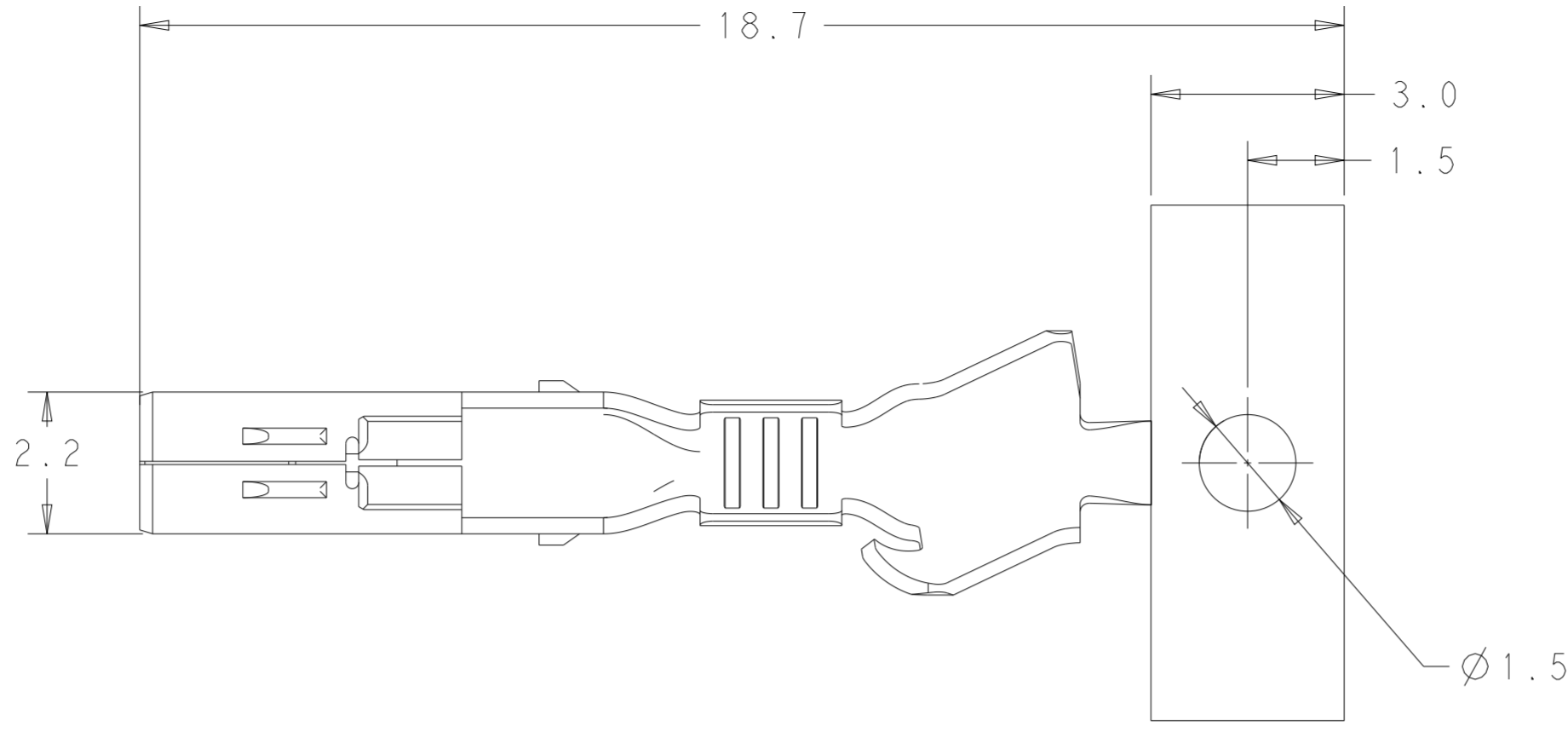
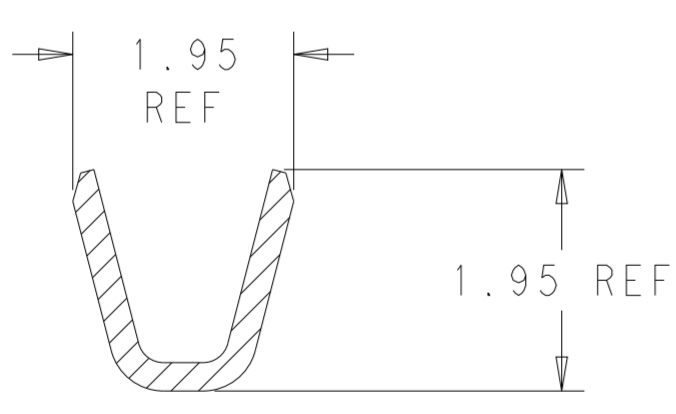
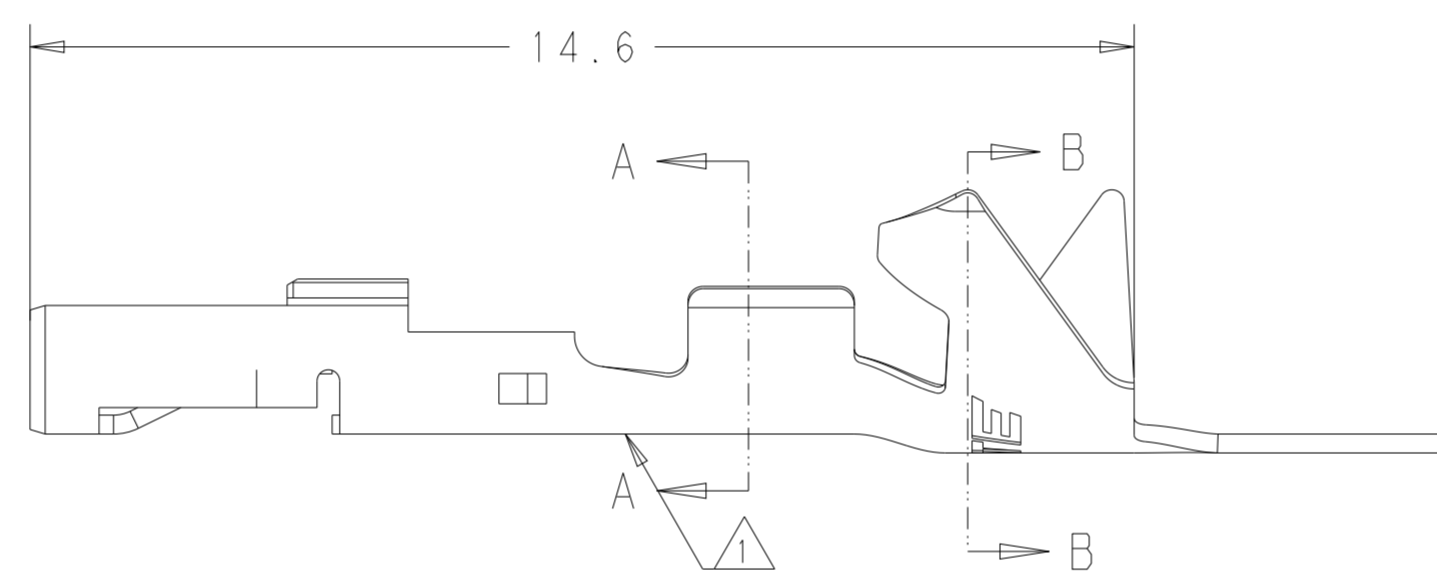
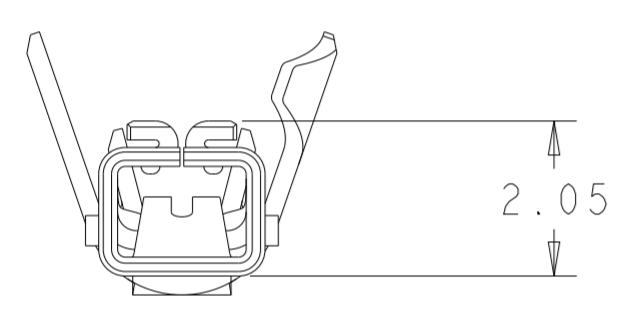


THIS DRAWING IS UNPUBLISHED. RELEASED FOR PUBLICATION
 © COPYRIGHT copyright.dBTe ALL RIGHTS RESERVED.

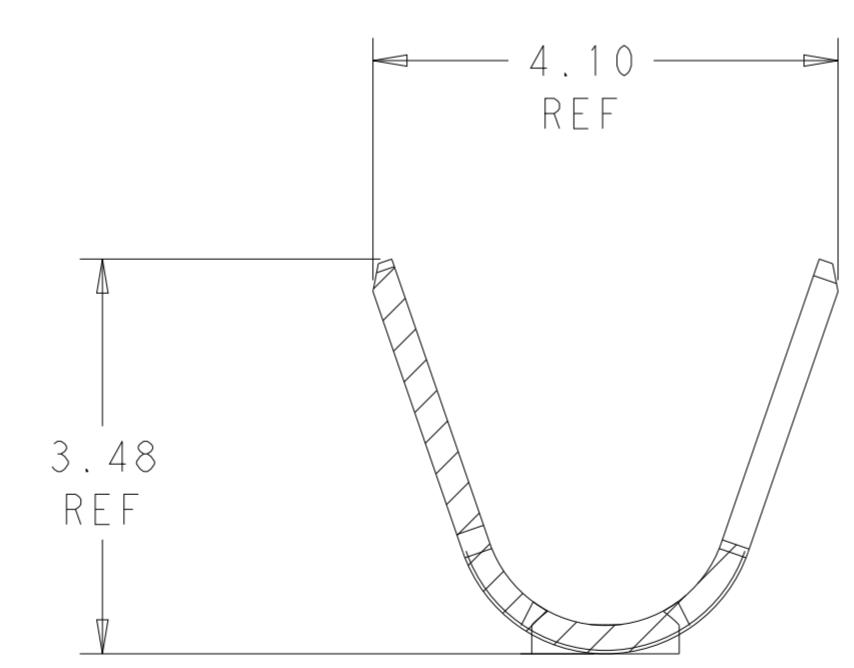
REVISIONS				
P	LTR	DESCRIPTION	DATE	APVD



- 1. MATERIAL MARK
- 2. WIRE RANGE: 22-26 AWG COPPER STRANDED
- 3. INSULATION RANGE: 1.3~2.4
- 4. THIS PRODUCT HAS NOT COMPLETED QUALIFICATION TESTING



SECTION A-A
SCALE 15:1



SECTION B-B
SCALE 15:1

M2	COPPER ALLOY	2329917-1
MATERIAL MARK	MATERIAL	PART NUMBER

THIS DRAWING IS A CONTROLLED DOCUMENT.		DWN SREERAJ K R 12 JAN 2022	STE TE Connectivity	
		CHK DAVID SWARTZ 12 JAN 2022		
DIMENSIONS: mm		APVD VINAY 12 JAN 2022	NAME POWER VERSA-LOCK REC TERMINAL, WIRE SEAL 22-26 AWG	
TOLERANCES UNLESS OTHERWISE SPECIFIED: 0 PLC ± 1 PLC ±0.40 2 PLC ±0.30 3 PLC ± 4 PLC ±		PRODUCT SPEC 108-143081	RESTRICTED TO	
MATERIAL - SEE TABLE		APPLICATION SPEC 114-143082	SIZE A2	CAGE CODE -
FINISH - PRE-PLATED Sn		WEIGHT -	DRAWING NO C-2329917	SCALE 5:1
		CUSTOMER DRAWING	SHEET 1 OF 1	REV A