

PART
NAME

MONITOR SHELF WITH FOLD-UP KEYBOARD

PART
NO.

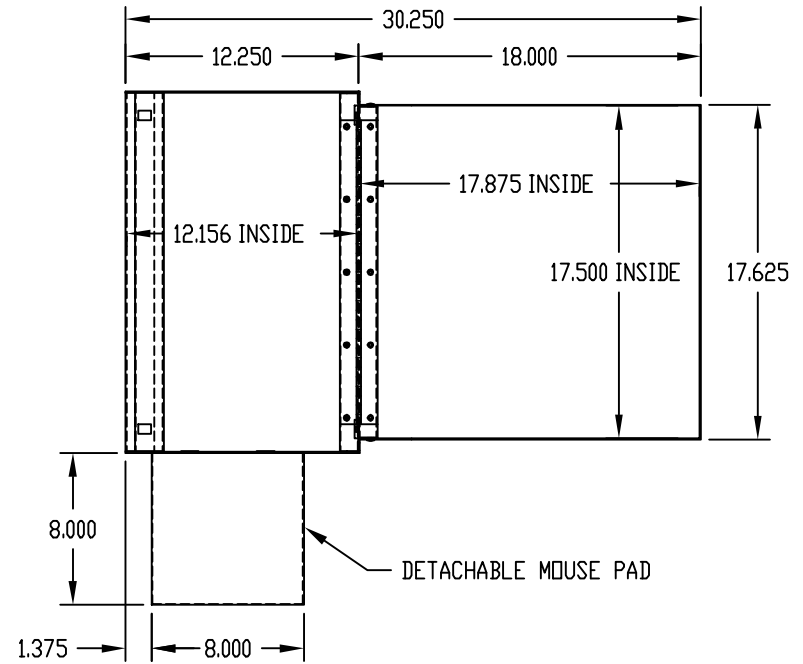
SA-1746

MATERIAL:

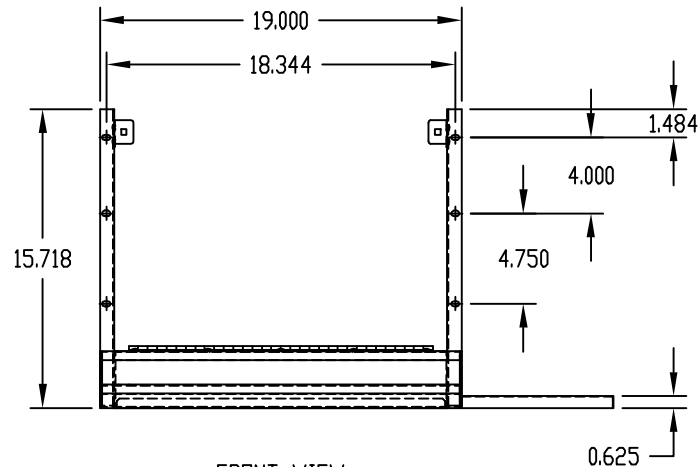
- STRIKE BRACKET _____ 18 GA. STEEL
- KEYBOARD SHELF & MOUSE PAD _____ 18 GA. STEEL
- MONITOR SHELF _____ 16 GA. STEEL
- HINGE _____ 16 GA. STEEL W/0.120 DIA. PIN

FINISH:

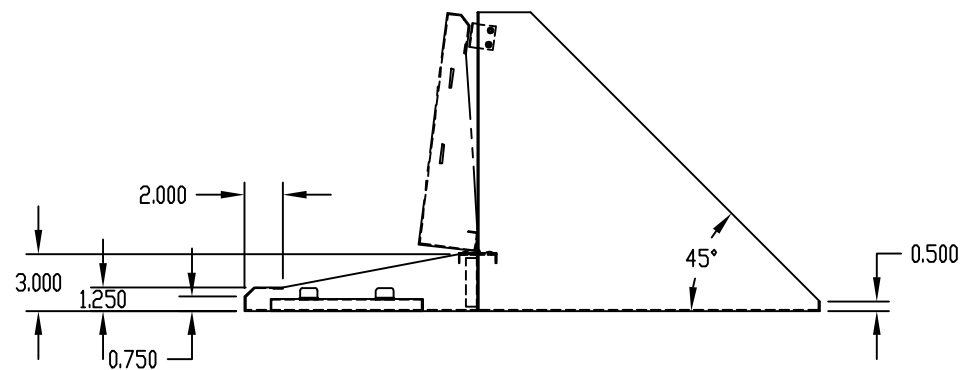
- MONITOR SHELF, KEYBOARD SHELF,
STRIKE BRACKET & MOUSE PAD _____ BLACK TEXTURE
- HINGE _____ SMOOTH BLACK



TOP VIEW



FRONT VIEW



RIGHT SIDE VIEW