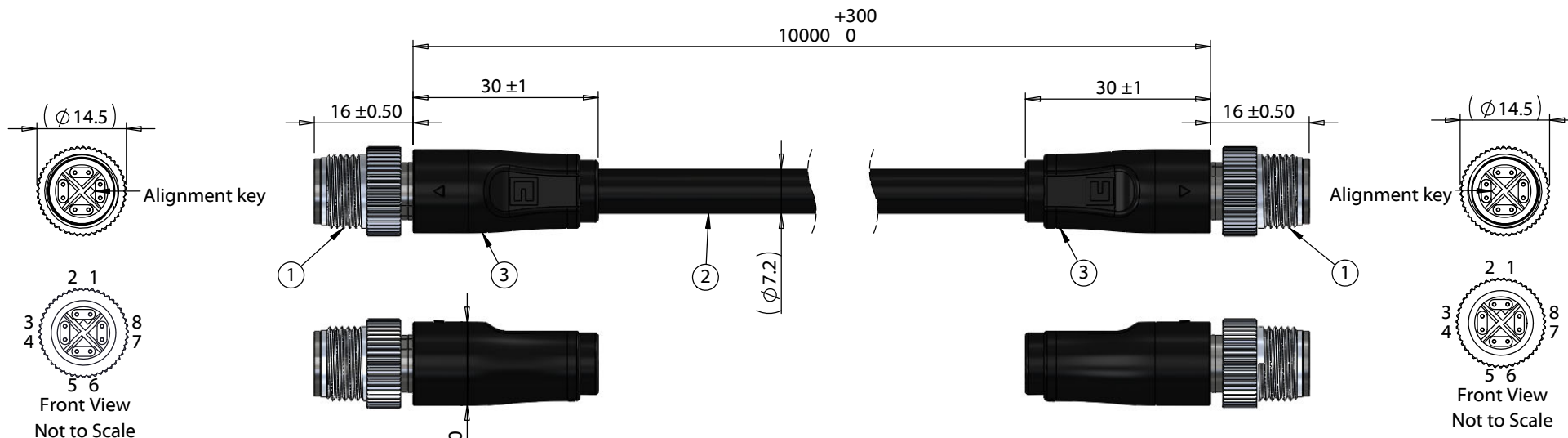


| ITEM NO. | PART NUMBER | DESCRIPTION | QTY. | COMPONENT NOTES |
|----------|-------------|--|------|--|
| 1 | 50-00993 | Connector, 8 pin M12 X-code plug, 12xL38.6mm, gold plated, molding style, solder cup, IP67, shielded | 2 | |
| 2 | 30-01714 | Wire, 4PR BC, 26 AWG, CAT6a SF/UTP, UL20387, 300V, 105C, 60C oil, UV, 7.2 mm, shielded, VW-1, PVC | 1 | |
| 3 | 24-00363 | Overmold, M12 X-code plug and jack, 180° | 2 | PVC, black, 60 °C oil and UV resistant |



Notes:
 Cable rated for 48 V, 0.5 A
 Temperature: -40 ~ 105 °C
 Signal: Ethernet CAT6a, 10 Gbps
 Oil resistant up to 60 °C
 Water resistant up to 75 °C
 UV resistant

IP67 waterproof rating when M12 connector mated with corresponding (IP67) M12 connector

Functionally equivalent components may be substituted

| Wiring Diagram | | |
|----------------|--------------|----------|
| 50-00993 | wire color | 50-00993 |
| 1 | orange/white | 1 |
| 2 | orange | 2 |
| 3 | green/white | 3 |
| 4 | green | 4 |
| 5 | brown/white | 5 |
| 6 | brown | 6 |
| 7 | blue/white | 7 |
| 8 | blue | 8 |
| Shell | shield | Shell |

| | | | | | |
|-------------|-----------------|------------------------------|---|--|---|
| Revision: A | Date: 5/19/2022 | Description: Initial release | Prepared: JD <small>Digitally signed by JD Date: 2022.05.19 16:13:40 -07'00'</small> | Notes: RoHS compliant | <h1>TENSILITY</h1> <p>tel 1.541.323.3228 800 877.670.7118 fax 1.541.323.4202 web tensility.com</p> |
| | | | Verified: PB <small>Digitally signed by PB Date: 2022.05.20 10:37:52 -07'00'</small> | Function test: no open, no short circuit, no intermittent | |
| | | | Dimensions are in millimeters. Tolerances: X: ± 0.5 mm X.X: ± 0.3 mm X.XX: ± 0.3 mm | Description: Cable, 10000 mm, 8 pin 50-00993 M12 X-code plug to same, CAT6a, 26 AWG, 30-01714 wire | Size: A Part number: 10-03993 |
| | | | | | Scale: 1:1 Sheet 1 of 1 |