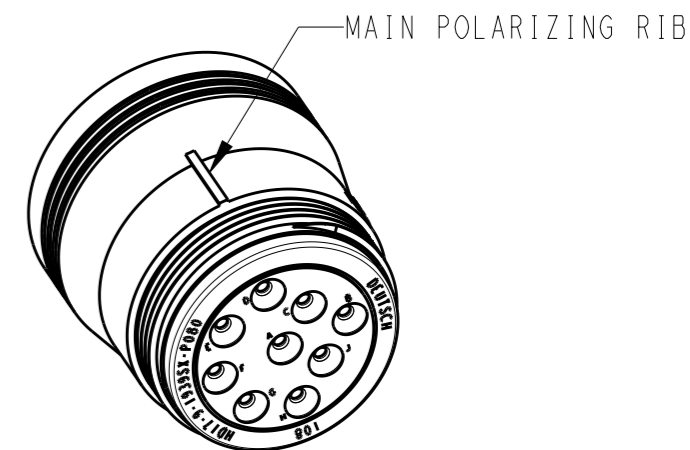
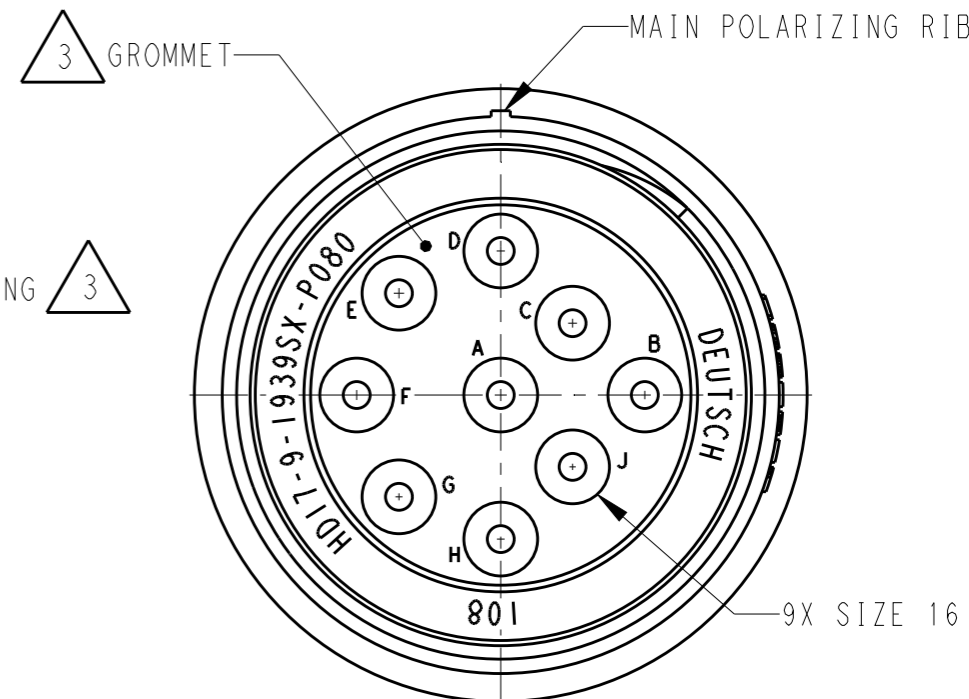
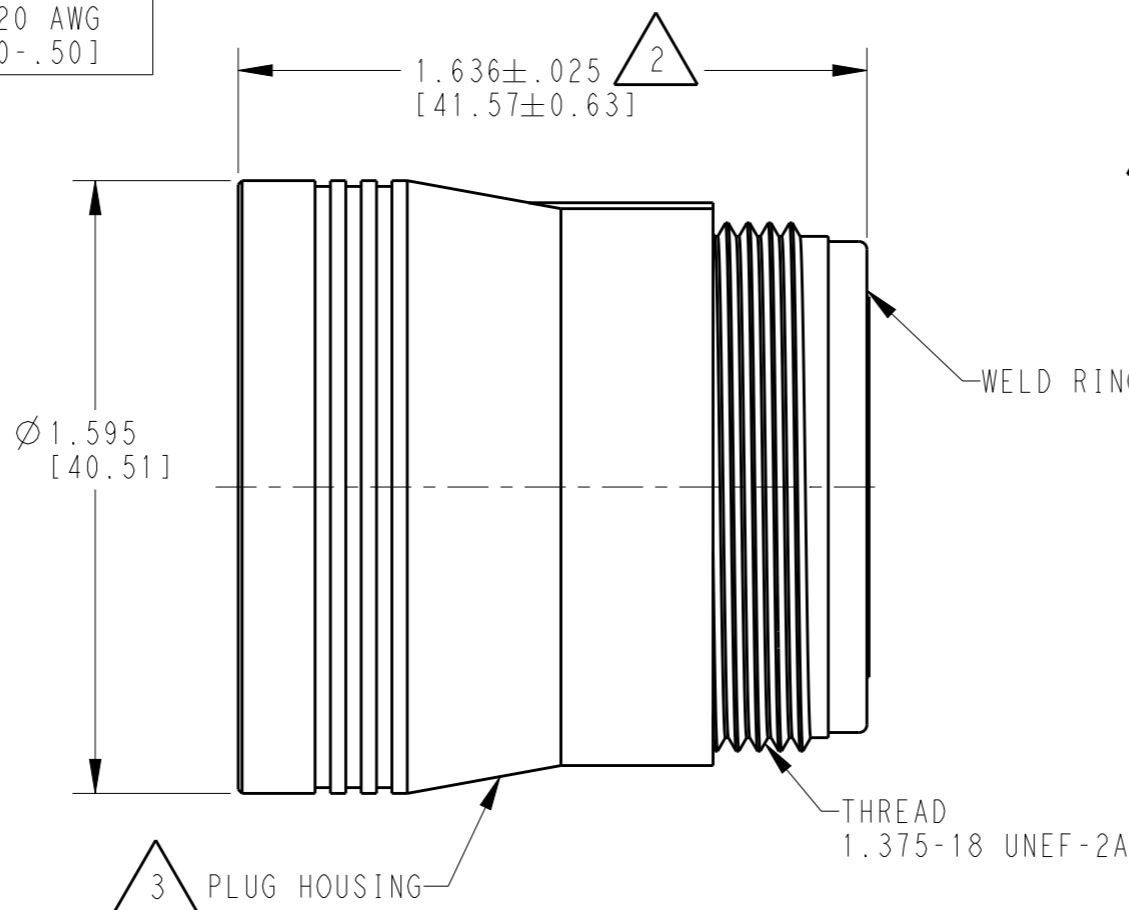
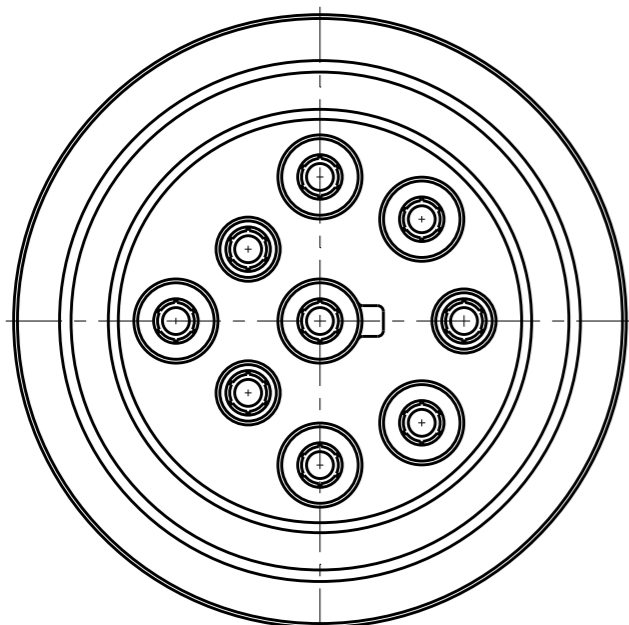


P	LTR	DESCRIPTION	DATE	DWN	APVD
	NC	NEW RELEASE PER E.O. P21126	8NOV2011	IG	RDR
	A	REVISED PER ECO-14-002953	11FEB2014	PV	DM
	A1	REVISED PER ECO-15-002653		JA	DM

SEAL TYPE	CONTACT SIZE	MIN INSUL O.D. [mm]	MAX INSUL O.D. [mm]	WIRE RANGE [mm ²] REF ONLY
N	16	.100 [2.54]	.150 [3.81]	14-20 AWG [2.0-.50]
E	16	.053 [1.35]	.120 [3.05]	14-20 AWG [2.0-.50]



SCALE 1:1

TE INTERNAL PN	DEUTSCH PN
HD17-9-1939S-P080	HD17-9-1939S-P080
HD17-9-1939SE-P080	HD17-9-1939SE-P080

4. P080 MODIFICATION: SAE J1939-13, TYPE 2.

3 MATERIAL: PLUG HOUSING: PA66 GF15 (GREEN)
 WELD RING: PA66 GF15 (GREEN)
 GROMMET: SILICONE (ORANGE-RED)

2 OVERALL DIMENSION DOES NOT INCLUDE RUBBER GROMMET.

1. THIS PLUG MATES WITH FOLLOWING RECEPTACLES:

- HD10-9-1939PX
- HD10-9-1939PX-B022
- HD10-9-1939PX-BP03
- HD10-9-1939PX-P080
- HD14-9-1939PX
- HD14-9-1939PX-P080
- X = SEAL TYPE (N,E)

NOTES:

THIS DRAWING IS A CONTROLLED DOCUMENT.

DIMENSIONS:	TOLERANCES UNLESS OTHERWISE SPECIFIED:
INCHES [mm]	
0 PLC	±
1 PLC	±
2 PLC	±
3 PLC	±.015 [0.38]
4 PLC	±
ANGLES	±0° 30' 0"
MATERIAL	FINISH N/A

DWN	10AUG2011
CHK	17SEP2013
APVD	19SEP2013
PRODUCT SPEC	0425-015-0000
APPLICATION SPEC	0425-015-0000
WEIGHT	39.0g

TE Connectivity			
NAME PLUG CONNECTOR 1939 ARRANGEMENT, -P080 MOD HD10 SERIES			
SIZE	CAGE CODE	DRAWING NO	RESTRICTED TO
A3	4AFU8	HD17-9-1939SX-P080	-
Customer Drawing		SCALE 2:1	SHEET 1 OF 1 REV A1