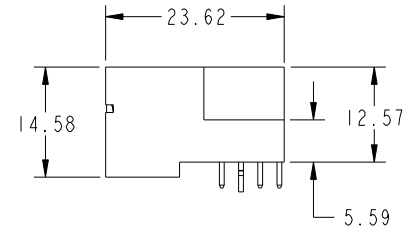
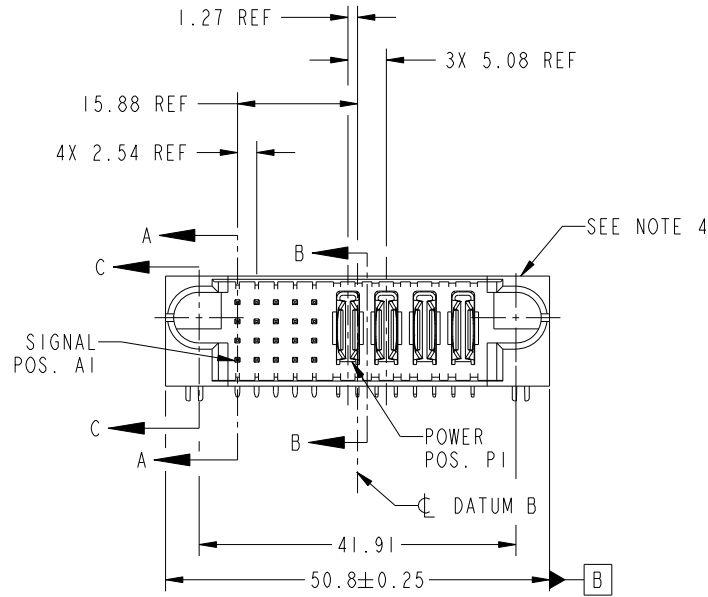
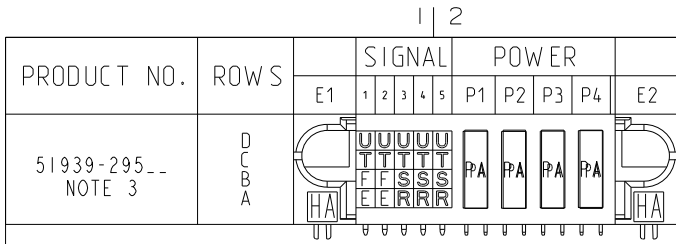


Tous droits strictement reserves. Reproduction ou communication a des tiers interdite sous quelque forme que ce soit sans autorisation ecrite du proprietaire. Propriete de c.FCI. Droits de reproduction FCI.

All rights strictly reserved. Reproduction or issue to third parties in any form whatever is not permitted without written authority from the proprietor. Property of FCI. Copyright FCI.



CODE	DIM "M" MATING LENGTH	CONTACT TYPE
U	[6.86]	SIGNAL
T	[6.86]	SIGNAL
S	[6.86]	SIGNAL
R	[6.86]	SIGNAL
PA	[N/A]	POWER
HA	[N/A]	HOLD-DOWN
E	[5.59]	SIGNAL
F	[5.59]	SIGNAL

mat'l code				SEE NOTE		tolerances unless otherwise specified		CUSTOMER		 www.fciconnect.com	
ltr	ecn no.	dr	date	linear	0.X ±0.5		COPY		title		
A	DG07-0289	JC	07/13/07		0.XX ±0.25		projection		20S + 4P		
B	DG08-0145	SH	06/04/08		0.XXX ±0.1				RIGHT ANGLE SOLDER HEADER		
C	DG08-0266	W D	09/22/08		angles				product family		
				dr	Jerome Chen	05/28/07	MM		PwrBlade		code
				enrg	Jerome Chen	05/28/07			size		213
				chr	Gary Hsieh	05/28/07			dwg no		sheet
				appd	Joseph Hsia	05/28/07	1:1		A 51939-295		1 of 4
sheet index	revision sheet	C 1	C 2	C 3	C 4						

A

B

1 | 2

3 |

4

A

B

Pro/E

PDM: Rev: C

STATUS: Released

Printed: Dec 20, 2010

cage code 2856

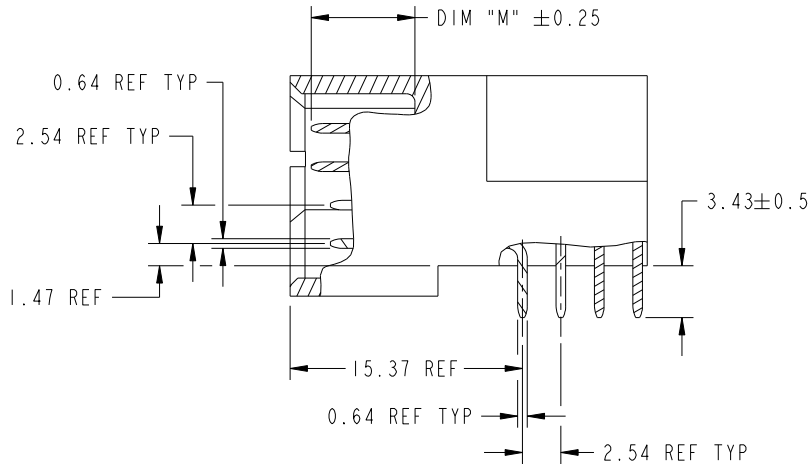
Tous droits strictement réservés. Reproduction ou communication a des tiers interdite sous quelque forme que ce soit sans autorisation écrite du propriétaire. Propriété de c.FCI. Droits de reproduction FCI.

All rights strictly reserved. Reproduction or issue to third parties in any form whatever is not permitted without written authority from the proprietor. Property of FCI. Copyright FCI.

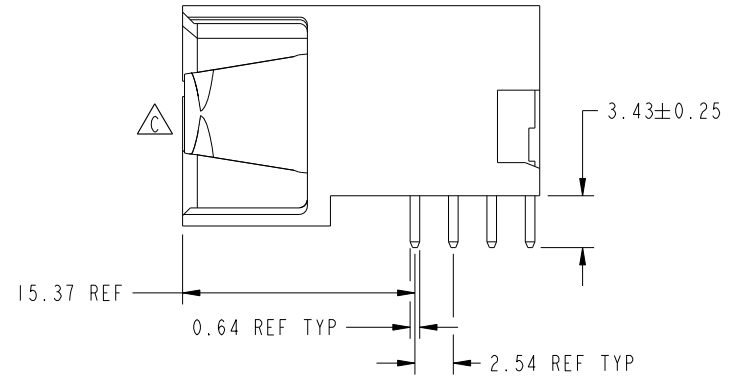


PRODUCT NUMBER

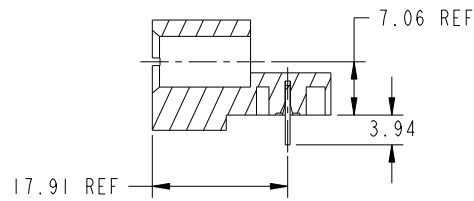
51939-295_
NOTE: 3



BROKEN-OUT SECTION A-A
SCALE 2:1



BROKEN-OUT SECTION B-B
SCALE 2:1



SECTION C-C

mat'l code		SEE NOTE		tolerances unless otherwise specified		CUSTOMER		 www.fciconnect.com	
ltr	ecn no.	dr	date	linear	0.X ±0.5	COPY		title	
C				linear	0.XX ±0.25	projection		20S + 4P	
				angles	0.XXX ±0.1			RIGHT ANGLE SOLDER HEADER	
				angles	0° ±2°			product family	
				dr	Jerome Chen 05/28/07	MM		PwrBlade	
				enr	Jerome Chen 05/28/07			code	
				chr	Gary Hsieh 05/28/07	scale		213	
				appd	Joseph Hsia 05/28/07	1:1		sheet	
sheet index		revision sheet						A 51939-295	
								2 of 4	

A

A

B

B

1 | 2

3

4

1 | 2

Pro/E

PDM: Rev: C

STATUS: Released

Printed: Dec 20, 2010

cage code 2856

4

Tous droits strictement réservés. Reproduction ou communication a des tiers interdite sous quelque forme que ce soit sans autorisation écrite du propriétaire. Propriété de c.FCI. Droits de reproduction FCI.

All rights strictly reserved. Reproduction or issue to third parties in any form whatever is not permitted without written authority from the proprietor. Property of FCI. Copyright FCI.



1 | 2

3

4

PRODUCT NUMBER
51939-295__
NOTE: 3

NOTES:

1. DIMENSIONS AND TOLERANCES ARE IN ACCORDANCE WITH ASME Y14.5M, 1994 UNLESS OTHERWISE SPECIFIED.

CONNECTOR NOTES:

- 2. HOUSING MATERIAL: UL 94 V-0 GLASS FILLED HIGH-TEMP THERMOPLASTIC
POWER CONTACT MATERIAL: COPPER ALLOY
SIGNAL PIN MATERIAL: COPPER ALLOY
 - 3. SEE ITEM 1 & 2 IN PRINT 10064183 FOR PLATING SPEC OF 51939-295 AND 51939-295LF RESPECTIVELY.
 - 4. MANUFACTURER'S NAME, P/N, AND DATE CODE TO APPEAR ON THIS SURFACE.
 - 5. PRODUCT SPECIFICATION GS-12-149.
APPLICATION SPECIFICATION BUS-20-067.
 - 6. PACKAGED IN TRAYS.
- PCB NOTES:
- 7. ALL HOLE DIAMETERS ARE FINISHED HOLE SIZE.
 - 8. MOUNTING HOLES, WHERE APPLICABLE, ARE UNPLATED.
 - 9. $\varnothing 1.151 \pm 0.025$ DRILLED HOLES PLATED WITH 0.008 MIN SnPb OR Sn OVER 0.03 TO 0.08 Cu PLATING TO ACHIEVE $\varnothing 1.02 \pm .07$ HOLE.
 - 10. "DIM XXX" TO BE DETERMINED BY THE CUSTOMER.
 - 11. CONNECTOR KEEP-OUT ZONE.
 - 12. A/C SYMBOL WILL BE NEXT TO ANY DIMENSION, VIEW, OR NOTE WHICH HAS BEEN MODIFIED WITH THE CURRENT DRAWING REVISION.

mat'l code		SEE NOTE		tolerances unless otherwise specified		CUSTOMER		FCI	
ltr	ecn no.	dr	date	linear	0.X ±0.5	COPY		www.fciconnect.com	
C					0.XX ±0.25	projection		title	
				angles	0.XXX ±0.1	⊕ ↗		20S + 4P	
				dr	0° ±2°	MM		RIGHT ANGLE SOLDER HEADER	
				enr	Jerome Chen 05/28/07	scale		product family	
				enr	Jerome Chen 05/28/07	1:1		PwrBlade	
				chr	Gary Hsieh 05/28/07	A		code	
				appd	Joseph Hsia 05/28/07	size		213	
sheet index		revision sheet				51939-295		sheet	
						4 of 4			

1 | 2

Pro/E

PDM: Rev: C

STATUS: Released

Printed: Dec 20, 2010

cage code

22516

4