

HS35 ABSOLUTE ENCODER



Introduction

Built on the same rugged design as the incremental model, the HS35 Absolute Encoder is available with various output options including Gray Code and Natural Binary. Designed with a cast aluminum housing, a sealed connector and shaft seals, it carries an IP65 environmental rating. With the optional insulating inserts, it can be mounted on smaller diameter shafts. It is designed for either a through shaft mounting or blind shaft mounting with a closed cover to maintain its environmental rating.

SPECIFICATIONS

Electrical Specifications

Options	Parallel: NB or GC 12-14 Bits (See Table 1) Serial (S3): 12-16 Bits (See Table 3) Analog: (A1-A5) 12-15 Bits (See Table 2)
Count Transition Accuracy	±1/2 Bit Maximum (Consult factory over 13 Bits)
Counts per Shaft Turn	4096 - 65536, Depending on Options
Supply Voltage	5 to 28 VDC, 13 to 28 VDC for analog
Output Formats	Parallel: Gray Code, Natural Binary, Serial and Analog
Voltage/Output	(see note 2) 28V/V: Line Driver, 5–28 VDC in, $V_{out} = V_{in}$ 28V/5: Line Driver, 5–28 VDC in, $V_{out} = 5$ VDC 28V/OC: Open Collector, 5–28 VDC in, OC_{out} SSI: 5–28 VDC in/5V $_{out}$ (consult factory for more information) Analog: A1-A5
Protection Level	Reverse, overvoltage and output short circuit protection
Frequency Response	500kHz or 6000 RPM (Parallel)
Output Termination Pinouts	See Tables For S3 options, reference Spec Addendum 02087-005 For A1-A5 options, reference Spec Addendum 02088-002

Mechanical Specifications

Shaft Bore	Many diameters from .375 to 1.000 inch are available, including metric. (Consult factory for details)
Allowable Misalignments	0.005" T.I.R. on mating shaft 0.75" from shaft end
Bore Runout	0.001 T.I.R. maximum
Starting Torque at 25°C	Through shaft version (SS) = 7 in-oz (max); Blind shaft version (BS) = 4 in-oz max
Bearings	52100 SAE High carbon steel
Shaft Material	416 stainless steel
Bearing Housing	Die cast aluminum with iridite finish; stainless steel (special feature)
Cover	Die cast aluminum with protective finish (For MS or CS terminations), otherwise drawl aluminum with protective finish; stainless-steel (special feature)
Bearing Life	7.5 X 10 ⁹ revs (50,000 hrs at 2500 RPM)
Maximum RPM	6,000 RPM (see frequency response above)
Moment of Inertia	0.019 oz-in-sec ²
Weight	18 oz. typical

Environmental Specifications

Temperature	Operating, 0° to 70°C; Extended temperature ratings are available in the following ranges: -40 to 70°C, -40
--------------------	---

Notes and Tables: All notes and tables referred to in the text can be found on the following pages.

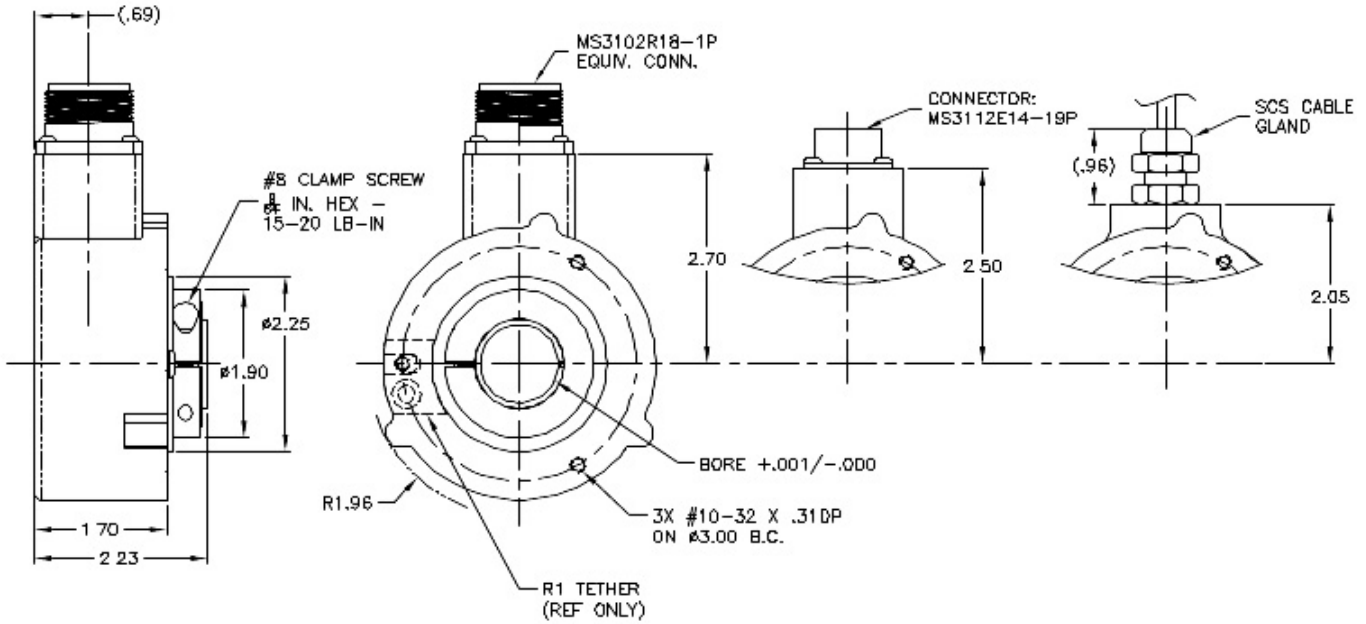
MS Connector Termination

Termination Options

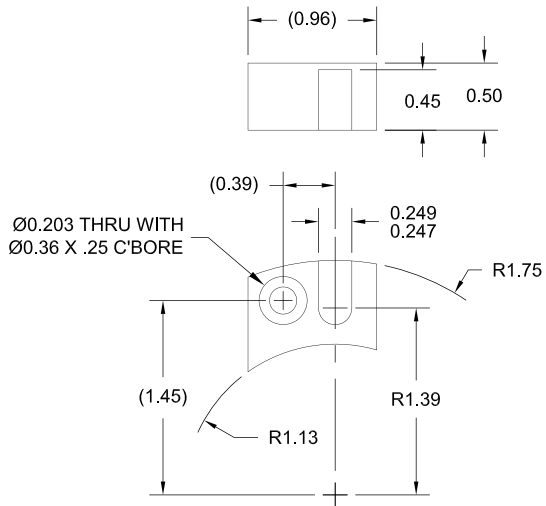
SM18 Conn.

SM14/19 Conn.

SCS CABLE



R1 Tether Block and Pin



R2 Tether Arm

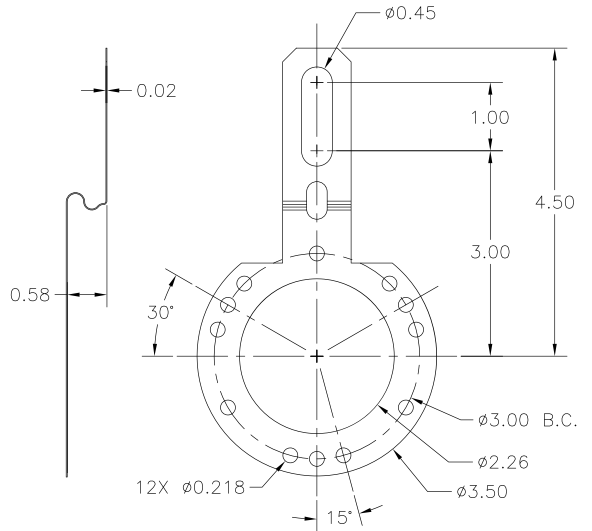


Table 1 —
Parallel Output Code and Terminations

Parallel Gray or Natural Code			Termination	
			M14/19 CONN	Cable Color
14 Bit	13 Bit	12 Bit Std.		
B13 (MSB)	B12 (MSB)	B11 (MSB)	A	W/BLK
B12	B11	B10	B	W/BRN
B11	B10	B9	C	W/RED
B10	B9	B8	D	W/ORN
B9	B8	B7	E	W/YEL
B8	B7	B6	F	W/GRN
B7	B6	B5	G	W/BLU
B6	B5	B4	H	W/VIO
B5	B4	B3	J	W/GRY
B4	B3	B2	K	WHT
B3	B2	B1	L	GRY/BLK
B2	B1	B0 (LSB)	M	GRY/BRN std
B1	B0 (LSB) or NC		N	GRY/RED *
OV std. (BO_LSB 14 BIT or Enable, Dir C, latch)			P	GRY/ORN *
Dir Control std. (Optional: Latch or Enable)			R	ORN *
Case GND			S	GRN
OV Return			T	BLK
LATCH std. (Optional: DC or Enable)			U	YEL *
+V SUPPLY			V	RED
SHIELD DRAIN			—	BARE

*** Optional**

Items highlighted in blue are standard Express Encoders and ship in one to three days.

Ordering SSI:

HOW TO SPECIFY SSI OUTPUT IN THE ENCODER MODEL NUMBER: Example:
HS35-100-R2-SS-12-NB-S3-CW-SM18

Direction of Count: Standard is CW increasing when viewed from the shaft end. Pin R is normally HI (or N/C) and is pulled up internally to +V. To reverse the count direction, Pin R must be pulled LO (COMMON).

Latch Control: Encoder outputs are active and provide continuous parallel position information when Pin U is HI (or N/C). Pin U is pulled up internally to +V. When Pin U is LO (COMMON) the encoder outputs are latched at the logic state that is present when the latch is applied and will stay latched until Pin U is no longer LO (COMMON).

M18 Connector is a MS3102R18-1P, 10-pin connector on the encoder body and mates to an MS3106F18-1S connector or can be used with a standard cable/connector assembly, BEI P/N 924-31186-18XX (Where XX = 10, 20 30 or 50 for a 10, 20, 30, or 50 foot length). This is the preferred connector for SSI output.

M14/19 Connector is a MS3112E14-19P, 19-pin connector on the encoder body and mates to an MS3116J14-19S or equivalent.

Table 2 —
Analog Termination and Options

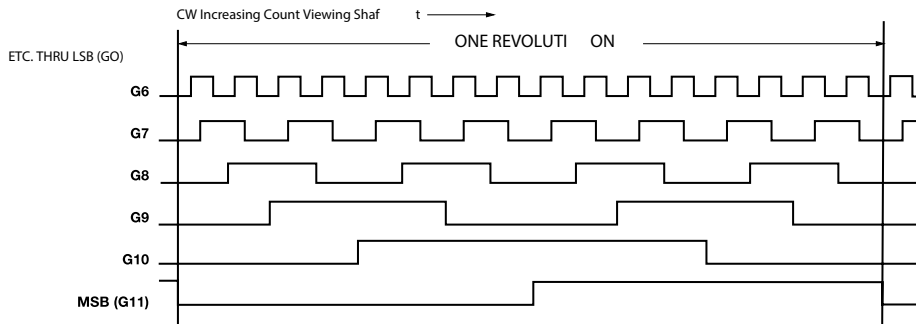
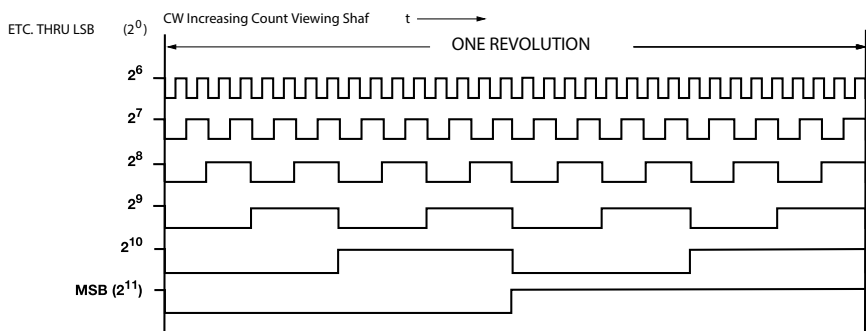
Analog	M18	M14/19	Cable Color
A1, 2, 3, 4, & A5			
A+ OUT	A	A	YEL
A Return	H	B	W/YEL
Dir Control	C	U	ORN
Reset *	B	C	BLU
OV Return	F	T	BLK
+V Supply	D	V	RED
CASE GND	G	S	GRN

*** Optional**

Table 3 —
SSI Termination

SSI	Termination		
	M18	M14/19	Cable Color
DATA +	A	A	YEL
DATA -	H	B	W/YEL
CLK +	B	C	BLU
CLK -	I	D	W/BLU
Dir Control	C	R	ORN
ENABLE *	J	P	W/ORN
OV RETURN	F	T	BLK
+V SUPPLY	D	V	RED
CASE GND	G	S	GRN
SHIELD DRAIN	—	—	BARE

*** Optional**

Figure 1 —
 Gray Code

Figure 2 —
 Natural Binary


NOTES

- The rubber shaft seal is recommended in virtually all installations. The most common exceptions are applications requiring a very low starting torque or those requiring operation at both high temperature and high speed. For these exceptions, a felt shaft seal is recommended. Felt seals require very low starting torque and can virtually eliminate frictional heat. Encoders ordered with felt shaft seals will have an enclosure rating of IP50 and will have less than 1/10th the Starting Torque specified under Mechanical Configurations.
 - Output IC's: Output IC's are available as either Line Driver (LD) or NPN Open Collector (OC) types. Open Collectors require pull-up resistors, resulting in higher output source impedance (sink impedance is similar to that of line drivers). In general, use of a Line Driver style output is recommended. Line Drivers source or sink current and their lower impedance mean better noise immunity and faster switching times. **Warning:** Do not connect any line driver outputs directly to circuit common/OV, which may damage the driver. Unused outputs should be isolated and left floating. Our applications specialists would be pleased to discuss your system requirements and the compatibility of your receiving electronics with Line Driver type outputs.
 - 28V/V:** Multi-voltage Line Driver (7272*): 100 mA source/sink. Input voltage 5 to 28 VDC $\pm 5\%$ standard (Note: $V_{out} = V_{in}$). This driver is TTL compatible when used with 5 volt supply. Supply lines are protected against overvoltage to 60 volts and reverse voltage. Outputs are short circuit protected for one minute. Supply current is 120 mA typical (plus load current). This is the recommended replacement for 3904R and 7406R open collector outputs with internal pullup resistors. It is also a direct replacement for any 4469, 88C30, 8830 or 26LS31 line driver
 - 13-28VDC:** For Analog
 - 28V/5:** Multi-voltage Line Driver (7272*): 100 mA source/sink. Input voltage 5 to 28 VDC $\pm 5\%$ standard, internally regulated with 5V (TTL compatible) logic out. Supply lines are protected against overvoltage to 60 volts and reverse voltage. Outputs are short circuit protected for one minute. Supply current is 90 mA typical (plus load current). Note: Limit encoder load to 2.5W max at ambient. Example at 12 VDC: $2.5W / (+12VDC \text{ minus } +5VDC) = 357 \text{ mA}$ total allowed current. Consult factory for your specific requirements.
 - 28V/OC:** NPN Open Collector (3904*, 7273*). Current sink of 80 mA max. Current sourced by external pull-up resistor. Output can be pulled up to voltage other than supply voltage (30 V max). Input voltage 5 to 28 VDC $\pm 5\%$ standard. Supply current is 120 mA typical. This replaces prior IC's with designations of 3904, 7406, 3302, 681 and 689.
- Special -S at the end of the model number is used to define a variety of non-standard features such as special shaft lengths, voltage options, or special testing. Please consult the factory to discuss your special requirements.

* Products manufactured prior to April 2007 used the line driver IC number instead of voltage output in model number.



ORDERING OPTIONS

EXPRESS ENCODERS: Items highlighted with this are standard Express Encoders and ship in few days.

Encoder X HS35 F - 100 - R1 - SS - 12 GC - 28V/V - CW - SM14/19 - S

X: Express Encoder

Type

HS: Hollow Shaft
35: 3.5" Encoder Diameter

Housing Configuration

F: Standard

Shaft Bore

100: 1.00" **62:** 0.625"
87: 0.875" **50:** 0.50" etc.
75: 0.75"

Tether

R1: Tether Block and Pin
R2: Tether Arm

Shaft Seal Configuration

SS: Through Shaft, Rubber Seals **BFS:** Blind Shaft Felt
BS: Blind Shaft, Rubber Seal (See Note 1)
FS: Through Shaft, Felt Seals

Number of Bits

12: 12 Bits, 4096 Counts **15:** 15 Bits, 32768 Counts
13: 13 Bits, 8192 Counts **16:** 16 Bits, 65536 Counts
14: 14 Bits, 16384 Counts

Code Type

GC: Gray Code (* Leave Blank for A1-A5)
NB: Natural Binary

Voltage / Output

28V/V: 5-28V_{in}/out **A2:** 0-10V
28V/5: 5-28V_{in}/5V_{out} **A3:** 0-20mA
28V/OC: 5-28V_{in}/OC_{out} **A4:** 0-5V
S3: SSI **A5:** 0-24mA
A1: 4-20mA (See Note 2)

Direction of Count

CW: Clockwise Increasing Count
CCW: Counter Clockwise Increasing Count

Output Termination

SM14/19: 19 Pin Connector
SCS: Shielded/Jacketed Cable with Cable Seal.
Length of Cable is specified in inches.
(i.e. SCS18 = 18 inches) SM18 = MS3102R18-1P (A1-A5 and S3 outputs only)
(Consult Factory for More Information)

Special Features

S: Special Features specified on Purchase Order.
(See Note 3)
(Consult Factory for More Information)



AGENCY APPROVALS & CERTIFICATIONS



Agency	File Number
CE	EN 55011 and EN 61000-6-2

Consult factory for more details.

Sensata Technologies, Inc. ("Sensata") data sheets are solely intended to assist designers ("Buyers") who are developing systems that incorporate Sensata products (also referred to herein as "components"). Buyer understands and agrees that Buyer remains responsible for using its independent analysis, evaluation and judgment in designing Buyer's systems and products. Sensata data sheets have been created using standard laboratory conditions and engineering practices. Sensata has not conducted any testing other than that specifically described in the published documentation for a particular data sheet. Sensata may make corrections, enhancements, improvements and other changes to its data sheets or components without notice.

Buyers are authorized to use Sensata data sheets with the Sensata component(s) identified in each particular data sheet. HOWEVER, NO OTHER LICENSE, EXPRESS OR IMPLIED, BY ESTOPPEL OR OTHERWISE TO ANY OTHER SENSATA INTELLECTUAL PROPERTY RIGHT, AND NO LICENSE TO ANY THIRD PARTY TECHNOLOGY OR INTELLECTUAL PROPERTY RIGHT, IS GRANTED HEREIN. SENSATA DATA SHEETS ARE PROVIDED "AS IS". SENSATA MAKES NO WARRANTIES OR REPRESENTATIONS WITH REGARD TO THE DATA SHEETS OR USE OF THE DATA SHEETS, EXPRESS, IMPLIED OR STATUTORY, INCLUDING ACCURACY OR COMPLETENESS. SENSATA DISCLAIMS ANY WARRANTY OF TITLE AND ANY IMPLIED WARRANTIES OF MERCHANTABILITY, FITNESS FOR A PARTICULAR PURPOSE, QUIET ENJOYMENT, QUIET POSSESSION, AND NON-INFRINGEMENT OF ANY THIRD PARTY INTELLECTUAL PROPERTY RIGHTS WITH REGARD TO SENSATA DATA SHEETS OR USE THEREOF.

All products are sold subject to Sensata's terms and conditions of sale supplied at www.sensata.com SENSATA ASSUMES NO LIABILITY FOR APPLICATIONS ASSISTANCE OR THE DESIGN OF BUYERS' PRODUCTS. BUYER ACKNOWLEDGES AND AGREES THAT IT IS SOLELY RESPONSIBLE FOR COMPLIANCE WITH ALL LEGAL, REGULATORY AND SAFETY-RELATED REQUIREMENTS CONCERNING ITS PRODUCTS, AND ANY USE OF SENSATA COMPONENTS IN ITS APPLICATIONS, NOTWITHSTANDING ANY APPLICATIONS-RELATED INFORMATION OR SUPPORT THAT MAY BE PROVIDED BY SENSATA.

Mailing Address: Sensata Technologies, Inc., 529 Pleasant Street, Attleboro, MA 02703, USA.

CONTACT US

Americas

+1 (800) 350 2727 – Option 1
sales.beisensors@sensata.com
Europe, Middle East & Africa
 +33 (3) 88 20 8080
position-info.eu@sensata.com

Asia Pacific

sales.isasia@list.sensata.com
 China +86 (21) 2306 1500
 Japan +81 (45) 277 7117
 Korea +82 (31) 601 2004
 India +91 (80) 67920890
 Rest of Asia +886 (2) 27602006
 ext 2808