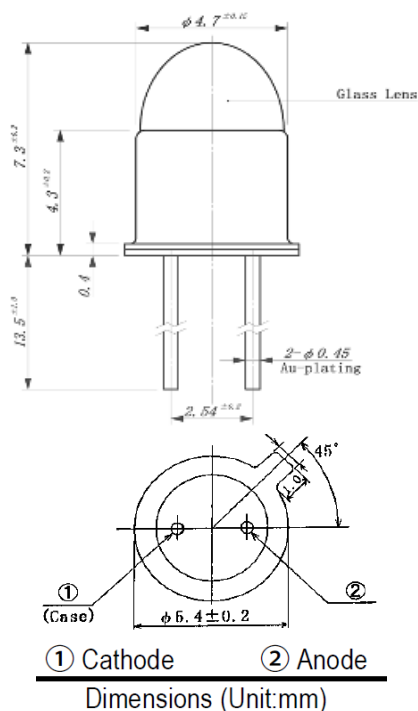


Peak Emission Wavelength: 1650nm



Description

- TO-46 with glass lens cap
- Type: InGaAs/InP, MQW
- High power
- High speed
- Narrow beam angle
- High reliability

Application

- Optical switches
- Optical communication
- Safety equipment
- Automation

Absolute Maximum Ratings (Ta=25°C)



| ITEMS | TEST CONDITIONS | SYMBOL | RATINGS | UNIT |
|------------------------------|-------------------------|--------|-------------|------|
| Forward DC Current | | If | 100 | mA |
| Peak Forward Current (pulse) | t ≤ 50us, T = 100us | Ifp | 200 | mA |
| Reverse Voltage | Ir=10uA | Vr | 5 | V |
| Power Dissipation | | Po | 100 | mW |
| Operating Temperature Range | | Top | -20 to +85 | °C |
| Storage Temperature Range | | Tst | -30 to +100 | °C |
| Lead Soldering Temperature | t < 5sec, 3mm from case | Tslg | 260 | °C |
| Junction Temperature | | Tj | 100 | °C |

Electrical & Optical Characteristics (Ta = 25°C)

| ITEMS | SYMBOL | CONDITIONS | MIN | TYP | MAX | UNIT |
|----------------------|-----------------------|------------|------|------|------|-----------|
| Forward Voltage | Vf | If=20mA | -- | 0.7 | 0.95 | V |
| Forward Voltage | Vf | If=100mA | -- | 0.8 | 1 | V |
| Reverse Voltage | Vr | Ir=10uA | 5 | -- | -- | V |
| Radiant Power | Φ_e | If=20mA | -- | 1 | -- | mW |
| Radiant Power | Φ_e | If=100mA | -- | 4 | -- | mW |
| Peak Wavelength | λ_p | If=20mA | 1610 | 1650 | 1690 | nm |
| Spectral Bandwidth | $\Delta\lambda_{0.5}$ | If=20mA | -- | 100 | -- | nm |
| Viewing Angle | φ | If=20mA | -- | 6 | -- | deg |
| Switching Time | tr, tf | If=20mA | -- | 15 | -- | ns |