

## Flange module

VEE-QCM 32

Part no.:10.01.36.00121

<https://www.schmalz.com/10.01.36.00121>

Home > Vacuum Technology for Automation > Vacuum Components > Area Gripping Systems and End Effectors > Vacuum End Effectors VEE > Flange Modules VEE-QCM > VEE-QCM 32

### VEE flange module with quick-change adapter and integrated vacuum line



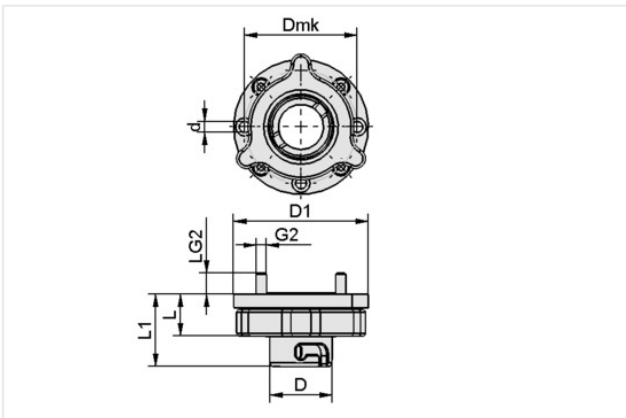
Length L1: 32 mm

Pitch diameter D mk: 46 mm

Number of holes: 8

Flow rate max.: 60 m<sup>3</sup>/h

### Design Data



Attribute	Value
D	25.40 mm
D1	55 mm
d	4.50 mm
Dmk	46 mm
G2	M4-M
L	19 mm
L1	32 mm
LG2	8.60 mm

### Technical Data

Attribute	Value
Connection	Bayonet connection

### Accessories

#### Contact Schmalz

Schmalz Inc. | 5850 Oak Forest Drive, Raleigh, NC 27616, United States | +1 (919) 713-0880 | [schmalz.us@schmalz.com](mailto:schmalz.us@schmalz.com)

## Flange module

VEE-QCM 32

Part no...:10.01.36.00121

<https://www.schmalz.com/10.01.36.00121>



### ECBPi 12 24V-DC M12-8

Part no...:10.03.01.00314

Suction rate (max.): 12 l/min

Rated power: 13 W

Voltage DC: 24V - DC

Rated current: 0.6 A

Electrical connection: Male connect M12, 8 pol

Max. vacuum: 750 mbar

Operating temperature: 5 ... 45 °C



### ECBPi 12 24V-DC TB-8

Part no...:10.03.01.00364

Suction rate (max.): 12 l/min

Rated power: 13 W

Voltage DC: 24V - DC

Rated current: 0.6 A

Electrical connection: Terminal block 8x

Max. vacuum: 750 mbar

Operating temperature: 5 ... 45 °C



### RFBP 50 50 BA SPB2

Part no...:10.01.45.00096

Length L: 50 mm

Width B: 50 mm

Connection: Bayonet connection

Suct. cups: Bellows suction cup SPB2

## Flange module

VEE-QCM 32

Part no...:10.01.36.00121

<https://www.schmalz.com/10.01.36.00121>



### RFBP 100 58 BA SPB2

Part no...:10.01.45.00091

Length L: 100 mm

Width B: 58 mm

Connection: Bayonet connection

Suct. cups: Bellows suct. cup SPB2



### RFBP 100 58 BA O10

Part no...:10.01.45.00092

Length L: 100 mm

Width B: 58 mm

Connection: Bayonet connection

Material type: Foam O, Height 10 mm



### RFBP 120 120 BA SPB2

Part no...:10.01.45.00085

Length L: 120 mm

Width B: 120 mm

Connection: Bayonet connection

Suct. cups: Bellows suct. cup SPB2

## Flange module

VEE-QCM 32

Part no...:10.01.36.00121

<https://www.schmalz.com/10.01.36.00121>



### **RFBP 120 120 BA O10**

Part no...:10.01.45.00086

Length L: 120 mm

Width B: 120 mm

Connection: Bayonet connection

Material type: Foam O, Height 10 mm