

MATERIALS AND FINISHES

BODY BRASS  
PLATED NICKEL

HOUSING BRASS  
PLATED TIN

CENTER CONTACT (MATING END)  
PHOSPHOR BRONZE  
PLATED TIN

CENTER CONTACT (PCB END) BRASS.  
PLATED TIN

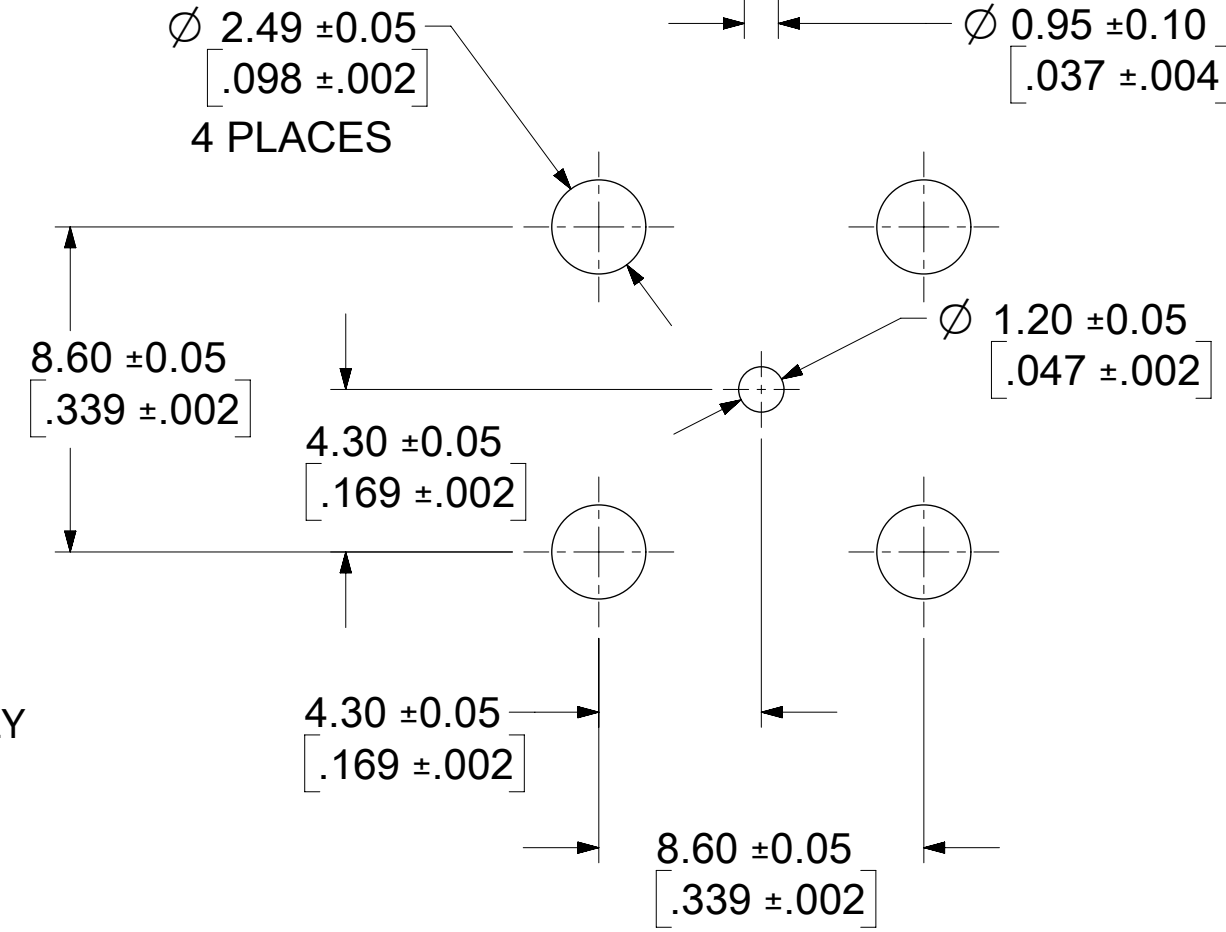
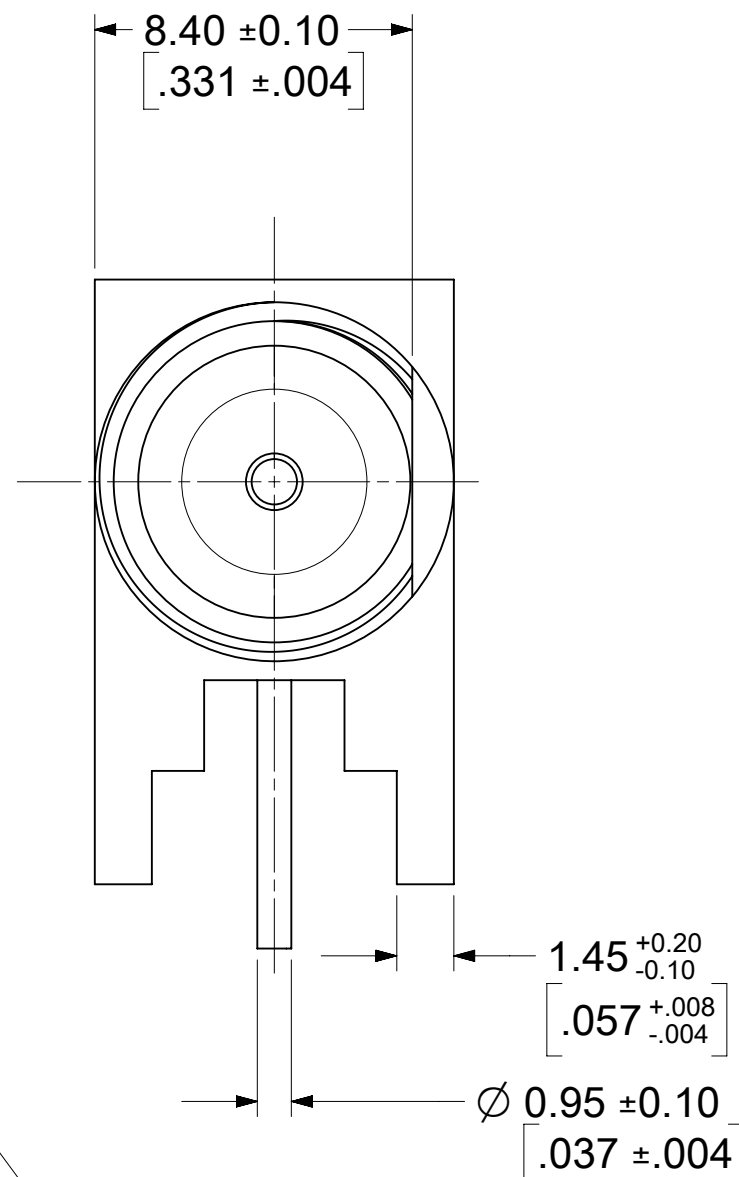
INSULATOR FRONT P.P./P.E

INSULATOR MIDDLE POM

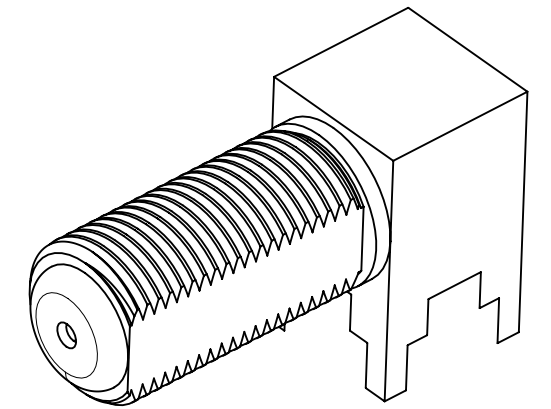
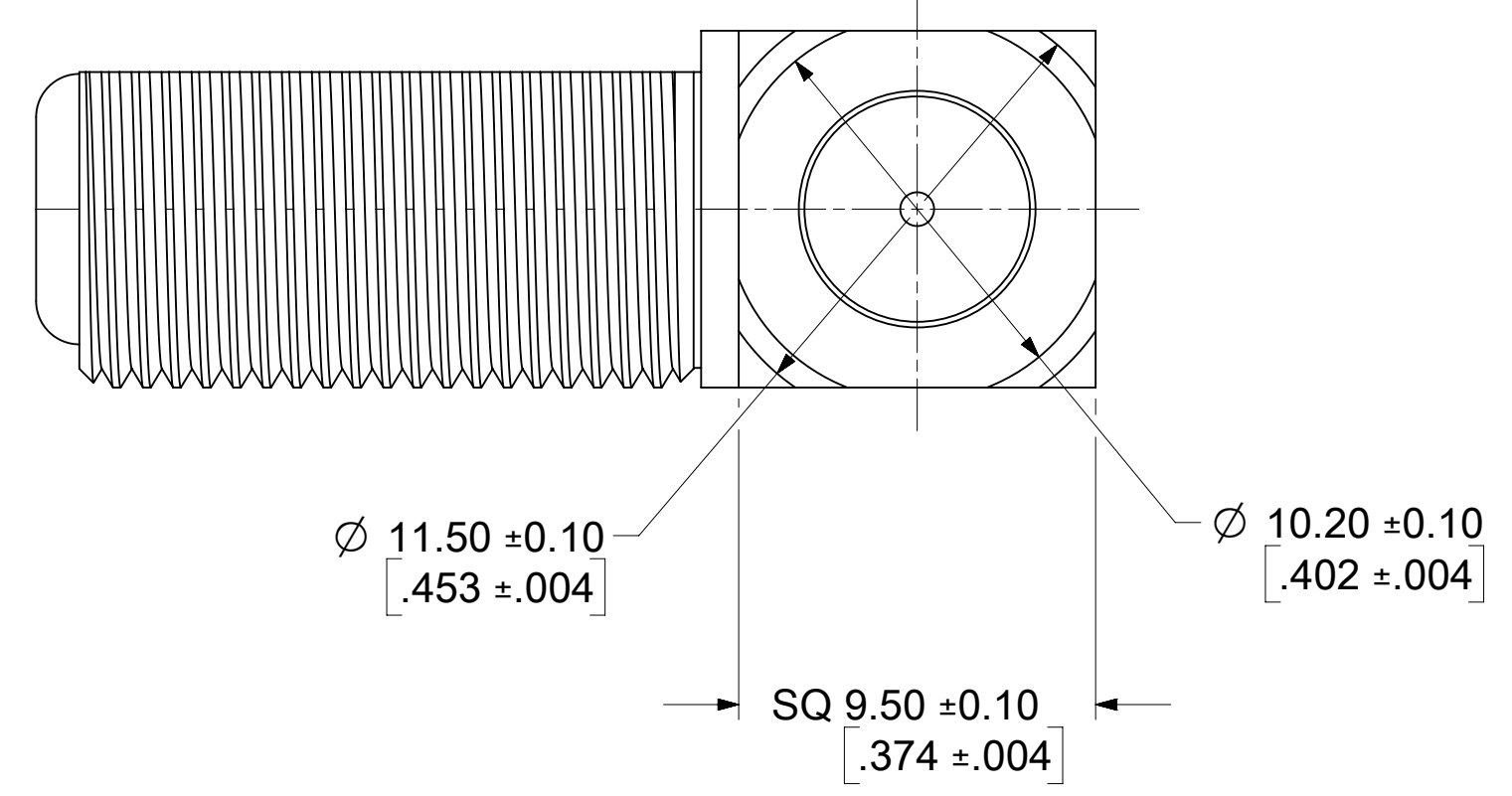
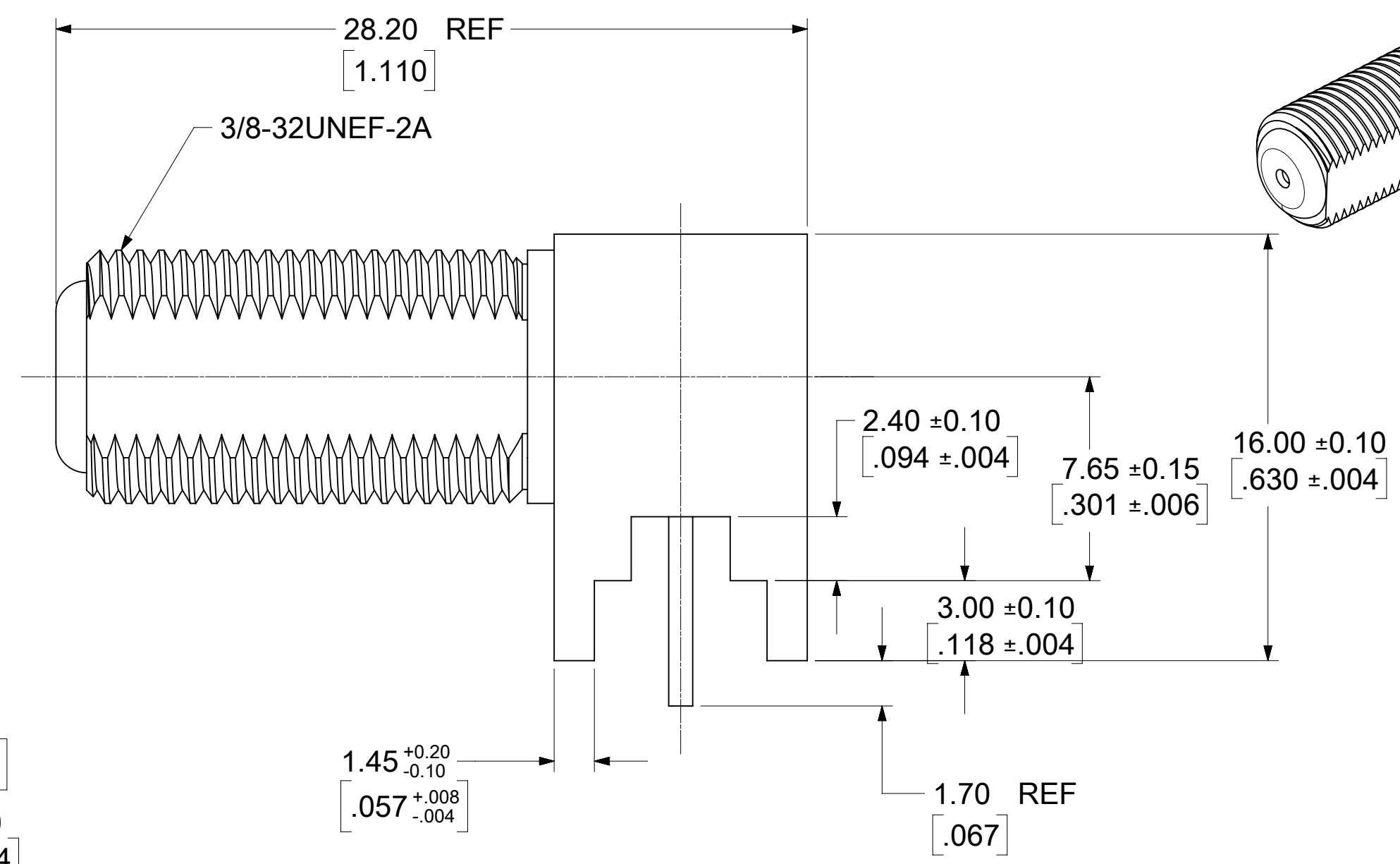
INSULATOR BOTTOM POM

PACKAGE SEE TABLE

NOTE:  
WAVE SOLDER ONLY



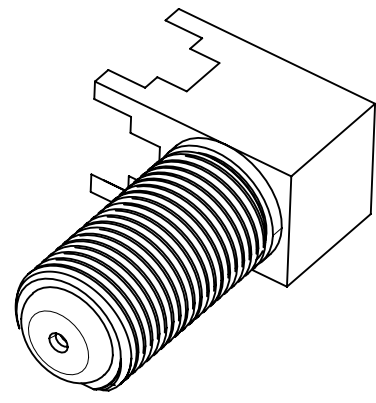
PCB HOLE CONFIGURATION



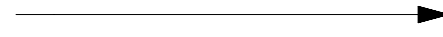
|            |           |
|------------|-----------|
| 73330-0032 | BAG       |
| 73330-0030 | TRAY      |
| PART NO.   | PACKAGING |

|               |                                |
|---------------|--------------------------------|
| PS-89675-368  | WAVE SOLDER PROFILE            |
| PS-73598-0080 | ELECTRO/MECHANICAL PERFORMANCE |
| SPECIFICATION | DESCRIPTION                    |

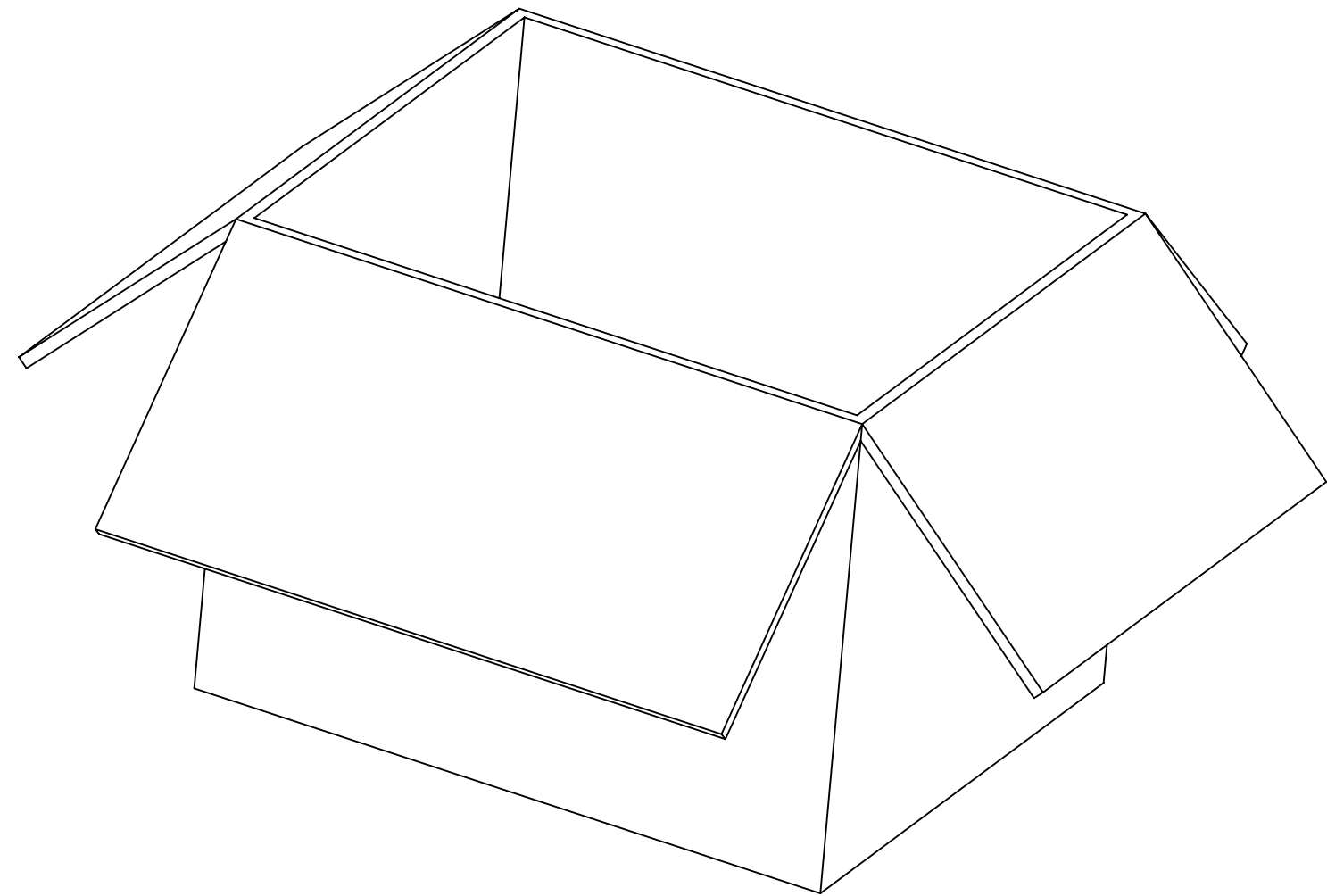
|  |   |                        |  |        |                 |                |              |          |
|--|---|------------------------|--|--------|-----------------|----------------|--------------|----------|
| FUNCTIONAL SYMBOLS                                   | THIS DRAWING CONTAINS INFORMATION THAT IS PROPRIETARY TO MOLEX ELECTRONIC TECHNOLOGIES, LLC AND SHOULD NOT BE USED WITHOUT WRITTEN PERMISSION |                        |  |        |                 |                |              |          |
|  | DIMENSION UNITS   | SCALE                  | CURRENT REV DESC:  |        |                 |                |              |          |
| $\frac{F}{A} = 0$                                    | MM/INCH   | NTS                    | EWR-14242-J<br>ADDED LABEL FORMAT FOR 73330-0032   |        |                 |                |              |          |
| $\frac{E}{C} = 0$                                    | GENERAL TOLERANCES (UNLESS SPECIFIED)   |                        | EC NO: 659677<br>DRWN: JSU18 2021/03/24<br>CHK'D: YCHENG 2021/04/06<br>APPR: YCHENG 2021/04/06 |        |                 |                |              |          |
| $\frac{E}{P} = 0$                                    | ANGULAR TOL ± °   |                        |  |        |                 |                |              |          |
| DIVISIONAL SYMBOLS                                   | 4 PLACES  | ±                      | INITIAL REVISION:<br>DRWN: ELIN 2006/11/07<br>APPR: MISEN 2004/03/18                           |        |                 |                |              |          |
|  | 3 PLACES  | ±                      |  |        |                 |                |              |          |
|  | 2 PLACES  | ±                      |  |        |                 |                |              |          |
|  | 1 PLACE   | ±                      |  |        |                 |                |              |          |
| 0 PLACES   | ±   |                        |  |        |                 |                |              |          |
| DRAFT WHERE APPLICABLE MUST REMAIN WITHIN DIMENSIONS |   | THIRD ANGLE PROJECTION | DRAWING  | SERIES | DOCUMENT NUMBER | DOC TYPE       | DOC PART     | REVISION |
|  |   |                        | C-SIZE   | 73330  | SD-73330-003    | PSD            | 001          | G5       |
|  |   |                        |  |        | MATERIAL NUMBER | CUSTOMER       | SHEET NUMBER |          |
|  |   |                        |  |        |                 | GENERAL MARKET | 1 OF 3       |          |



PART NO : 73330-0030



50 SET PER TRAY



1000 SET PER OUTER CARTON BOX  
P/N: 894999027

|  |   |                        |  |         |        |                 |  |  |              |          |          |          |
|--|---|------------------------|--|---------|--------|-----------------|--|--|--------------|----------|----------|----------|
| FUNCTIONAL SYMBOLS                                   | THIS DRAWING CONTAINS INFORMATION THAT IS PROPRIETARY TO MOLEX ELECTRONIC TECHNOLOGIES, LLC AND SHOULD NOT BE USED WITHOUT WRITTEN PERMISSION |                        |  |         |        |                 |  |  |              |          |          |          |
|  | DIMENSION UNITS   | SCALE                  | CURRENT REV DESC:                                |         |        |                 |  |  |              |          |          |          |
| $\frac{F}{A} = 0$                                    | MM/INCH   | NTS                    | EWR-14242-J<br>ADDED LABEL FORMAT FOR 73330-0032 |         |        |                 |  |  |              |          |          |          |
| $\frac{E}{C} = 0$                                    | GENERAL TOLERANCES (UNLESS SPECIFIED)   |                        | EC NO: 659677                                    |         |        |                 |  |  |              |          |          |          |
| $\frac{E}{P} = 0$                                    | ANGULAR TOL $\pm$ °   |                        | DRWN: JSU18 2021/03/24                           |         |        |                 |  |  |              |          |          |          |
| DIVISIONAL SYMBOLS                                   | 4 PLACES $\pm$  |                        | CHK'D: YCHENG 2021/04/06                         |         |        |                 |  |  |              |          |          |          |
|  | 3 PLACES $\pm$  |                        | APPR: YCHENG 2021/04/06                          |         |        |                 |  |  |              |          |          |          |
|  | 2 PLACES $\pm$  |                        | INITIAL REVISION:                                |         |        |                 |  |  |              |          |          |          |
|  | 1 PLACE $\pm$   |                        | DRWN: ELIN 2006/11/07                            |         |        |                 |  |  |              |          |          |          |
| 0 PLACES $\pm$                                       |   | APPR: MISEN 2004/03/18 |  |         |        |                 |  |  |              |          |          |          |
| DRAFT WHERE APPLICABLE MUST REMAIN WITHIN DIMENSIONS |   |                        | THIRD ANGLE PROJECTION                           | DRAWING | SERIES | DOCUMENT NUMBER |  |  |              | DOC TYPE | DOC PART | REVISION |
|  |   |                        |  | C-SIZE  | 73330  | SD-73330-003    |  |  |              | PSD      | 001      | G5       |
| MATERIAL NUMBER                                      |   |                        |  |         |        | CUSTOMER        |  |  | SHEET NUMBER |          |          |          |
|  |   |                        |  |         |        | GENERAL MARKET  |  |  | 2 OF 3       |          |          |          |

**molex**

F R/A JACK PCB 75 OHM  
F-RA/PCB, EWR # 13673-A

PRODUCT CUSTOMER DRAWING

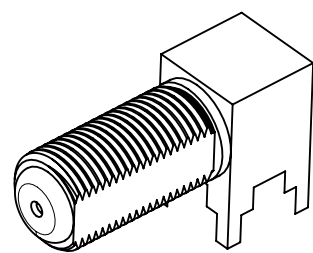
SD-73330-003

PSD 001 G5

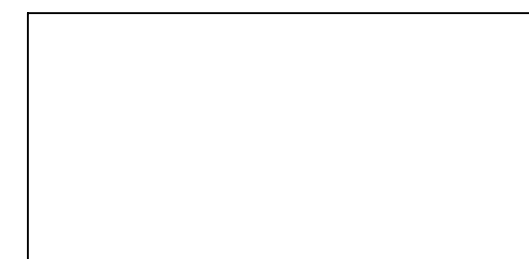
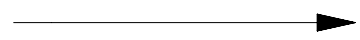
GENERAL MARKET

2 OF 3

DOCUMENT STATUS P1 RELEASE DATE 2021/04/06 01:47:29



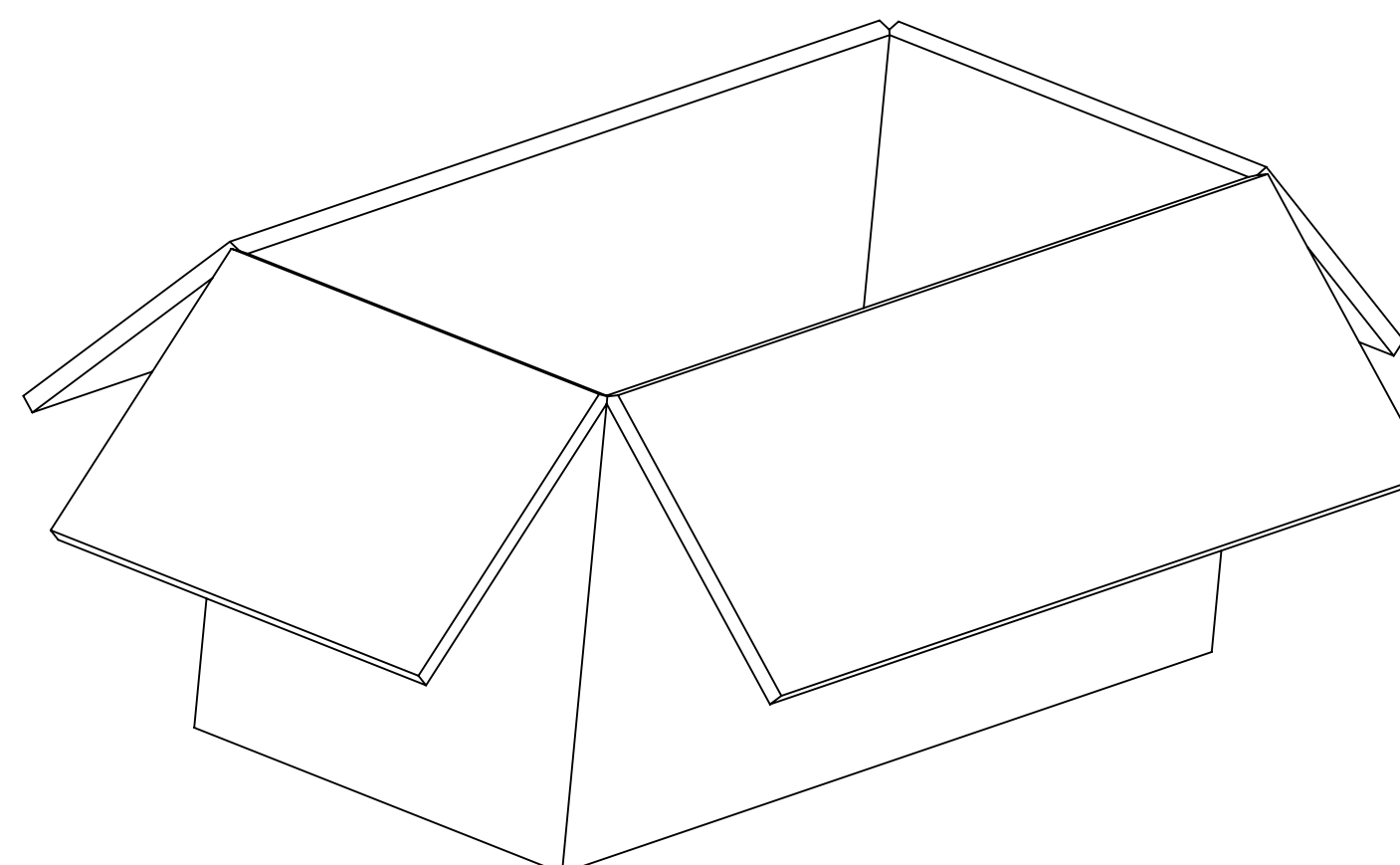
FOR 73330-0032 ONLY



1 SET PER POLYBAG  
P/N: 89707-0317



50 SET PER POLYBAG  
P/N: 89707-0176



500 SET PER OUTER CARTON BOX  
P/N: 96707-0002

LABEL WITH EACH BAG  
FOR 73330-0032

MOLEX P/N: 73330-0032  
DATE: YYWW

|  |   |             |  |         |        |                 |  |                |  |              |                 |            |  |
|--|---|-------------|--|---------|--------|-----------------|--|----------------|--|--------------|-----------------|------------|--|
| FUNCTIONAL SYMBOLS                                   | THIS DRAWING CONTAINS INFORMATION THAT IS PROPRIETARY TO MOLEX ELECTRONIC TECHNOLOGIES, LLC AND SHOULD NOT BE USED WITHOUT WRITTEN PERMISSION |             |  |         |        |                 |  |                |  |              |                 |            |  |
|  | DIMENSION UNITS   | SCALE       | CURRENT REV DESC:                                |         |        |                 |  |                |  |              |                 |            |  |
| $\frac{F}{A} = 0$                                    | MM/INCH   | NTS         | EWR-14242-J<br>ADDED LABEL FORMAT FOR 73330-0032 |         |        |                 |  |                |  |              |                 |            | F R/A JACK PCB 75 OHM<br>F-RA/PCB, EWR # 13673-A |
| $\frac{F}{C} = 0$                                    | GENERAL TOLERANCES (UNLESS SPECIFIED)   |             | EC NO: 659677                                    |         |        |                 |  |                |  |              | 2021/03/24      |            |  |
| $\frac{F}{P} = 0$                                    | ANGULAR TOL ± °   |             | DRWN: JSU18                                      |         |        |                 |  |                |  |              | 2021/04/06      |            |  |
| DIVISIONAL SYMBOLS                                   | 4 PLACES ±  |             | CHK'D: YCHENG                                    |         |        |                 |  |                |  |              | 2021/04/06      |            |  |
|  | 3 PLACES ±  |             | APPR: YCHENG                                     |         |        |                 |  |                |  |              | 2021/04/06      |            |  |
|  | 2 PLACES ±  |             | INITIAL REVISION:                                |         |        |                 |  |                |  |              | DOCUMENT NUMBER |            |  |
|  | 1 PLACE ±   |             | DRWN: ELIN                                       |         |        |                 |  |                |  |              | 2006/11/07      |            |  |
| 0 PLACES ±   |   | APPR: MISEN |  |         |        |                 |  |                |  | 2004/03/18   |                 | PSD 001 G5 |  |
| DRAFT WHERE APPLICABLE MUST REMAIN WITHIN DIMENSIONS |   |             | THIRD ANGLE PROJECTION                           | DRAWING | SERIES | MATERIAL NUMBER |  | CUSTOMER       |  | SHEET NUMBER |                 |            |  |
|  |   |             |  | C-SIZE  | 73330  | GENERAL MARKET  |  | GENERAL MARKET |  | 3 OF 3       |                 |            |  |