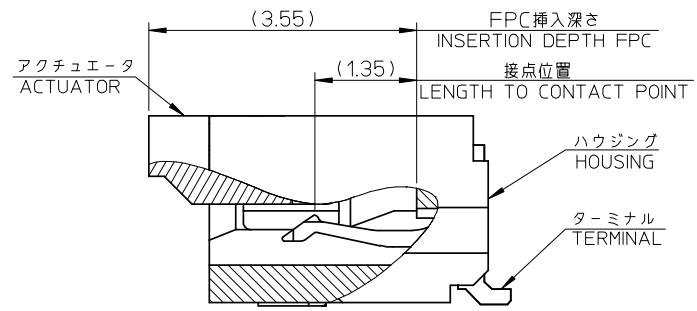
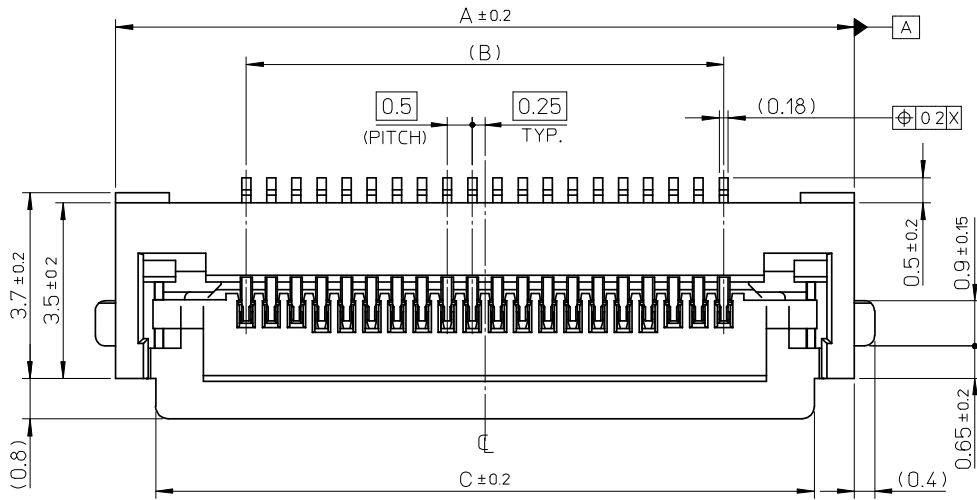
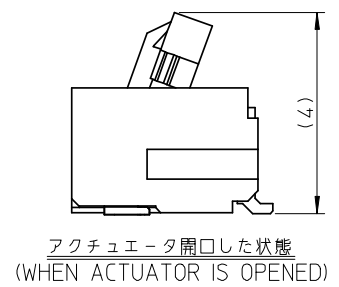
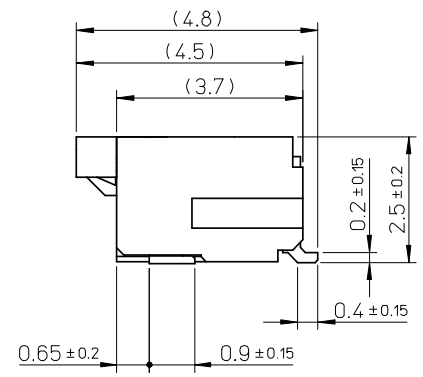
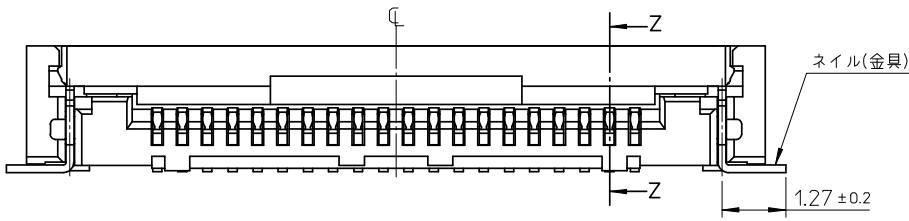


10 9 8 7 6 5 4 3 2 1

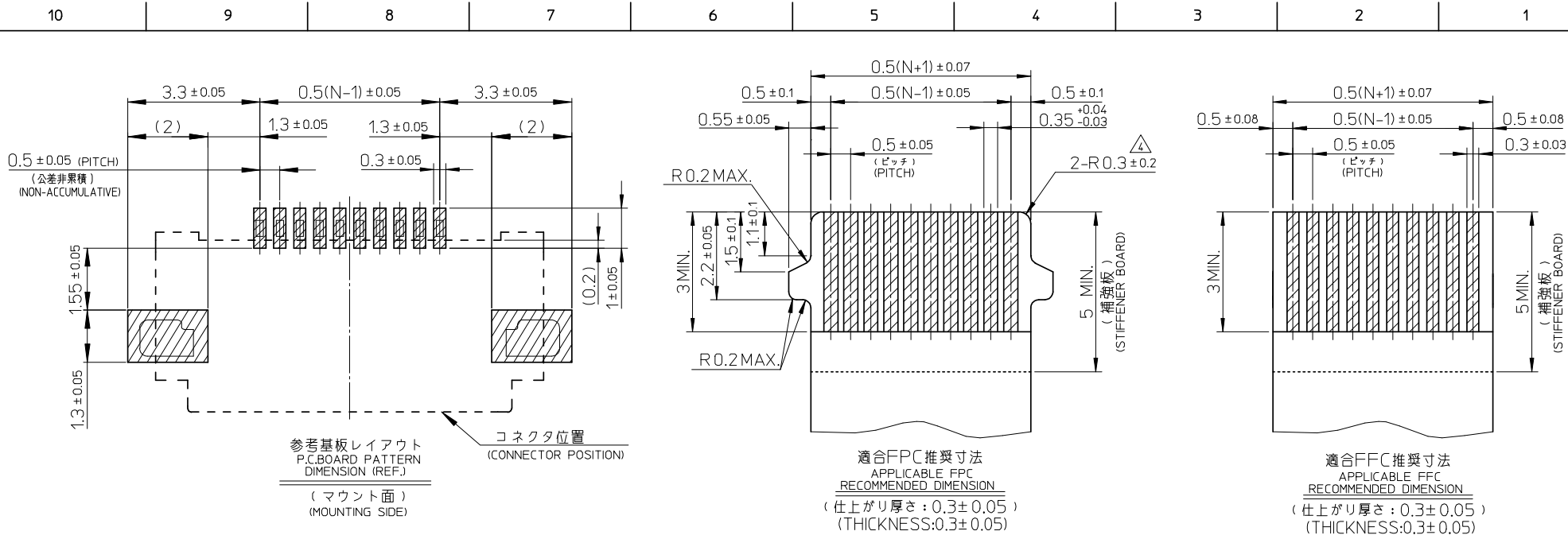


SECTION Z-Z



43.1	39.5	44.7	501559-8093	501559-8010	80
C	B	A	EMBOSSED TAPE	MATERIAL NO.	CIRCUITS
			ORDER No. オーダー番号		

REVISED EC NO: J2008-4264 DRWN: MWABEI 2008/06/13 CHKD: MHAYASHI 2008/06/13 APPR: NUKITA 2008/06/13	DESCRIPTION	GENERAL TOLERANCES (UNLESS SPECIFIED)	DIMENSION STYLE MM ONLY	SCALE 10:1	DESIGN UNITS METRIC	THIRD ANGLE PROJECTION
	REV	10 UNDER ± ---	DRAWN BY S. WATANABE	DATE 2005/06/27	TITLE 0.5FPC CONN. ZIF E/O HSG ASS'Y(H=2.5) -LEAD FREE-	
		10 OVER 30 UNDER ± ---	CHECKED BY H. HIRATA	DATE 2005/06/27	MOLEX INCORPORATED	
		30 OVER ± ---	APPROVED BY M. SASAO	DATE 2005/06/27	DOCUMENT NO. SD-501559-001	SHEET NO. 1 OF 2
	ANGULAR ±1 °	DRAFT WHERE APPLICABLE MUST REMAIN WITHIN DIMENSIONS	MATERIAL NO. SEE TABLE	THIS DRAWING CONTAINS INFORMATION THAT IS PROPRIETARY TO MOLEX INCORPORATED AND SHOULD NOT BE USED WITHOUT WRITTEN PERMISSION		



注記 NOTES

1. 使用材料 MATERIAL

- ハウジング : 液晶ポリマー ガラス充填, UL94-V0(ベージュ)
HOUSING LIQUID CRYSTAL POLYMER
GLASS FILLED, UL94V-0(BEIGE)
- アクチュエータ : PPS ガラス充填, UL94-V0(茶)
ACTUATOR PPS GLASS FILLED, UL94V-0(BROWN)
- ターミナル : リン青銅(t=0.18)
TERMINAL PHOSPHOR BRONZE
- 金具 : リン青銅(t=0.15)
FITTING NAIL PHOSPHOR BRONZE

2. めっき仕様 PLATING

- ターミナル TERMINAL
ニッケル下地金めっき
GOLD(Au) OVER NICKEL(Ni) PLATING.
- 金具 FITTING NAIL
ニッケル下地錫めっき
TIN(Sn) OVER NICKEL(Ni) PLATING.

3. エンボステープ梱包時は、アクチュエータが閉じた状態とする。
IN THE PACKAGE, ACTUATOR OF
PART 501559-**10 SHOULD BE CLOSED.

△ R0.3は、FPC導体部にかからないこと。
R0.3 MUST NOT BE OVERLAPPED
TO PATTERN OF FPC.

5. N: 極数 N: CIRCUIT.

FPC/FFC について:

打ち抜き方向は導体側から補強板側を推奨します。
導体部については軟銅箔35μmまたは50μmを推奨します。

ABOUT FPC/FFC

RECOMMENDED PUNCHER DIRECTION : FROM CONDUCTOR SIDE TO STIFFENER FILM SIDE.
RECOMMENDED CONDUCTOR SPEC :
THICKNESS OF SOFT COPPER FOIL : 35 MICROMETER OR 50 MICROMETER.

FPC について:

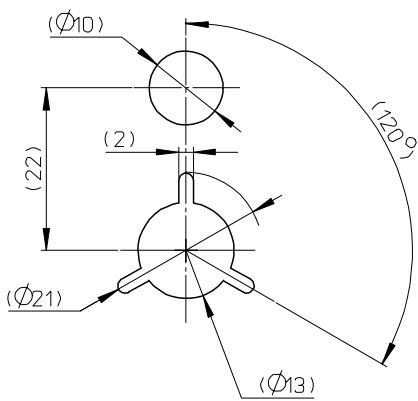
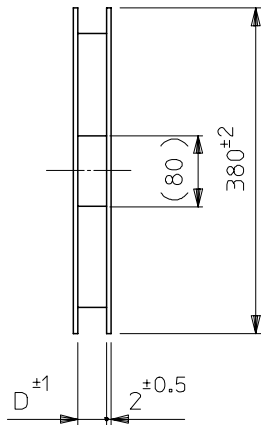
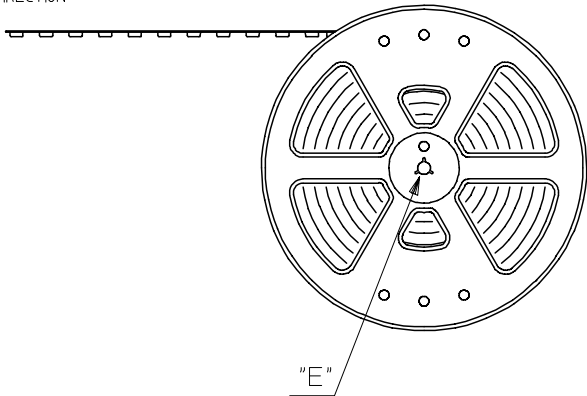
補強フィルム材質はポリイミドを推奨します。ベースフィルムは25μmを推奨します。
接着剤は熱硬化接着剤を推奨します。
尚、接着剤の接点部への付着は導通不良の原因になりますので、染み出しが無い様、お願い致します。

ABOUT FPC

RECOMMENDED MATERIAL/THICKNESS.
STIFFENER FILM : POLYIMIDE
BASE FILM THICKNESS : 25μm
BONDING AGENT : THERMOSETTING BONDING AGENT
PLEASE PUT APPROPRIATE AMOUNT OF ADHESIVE ON THE CONTACT
AREA BECAUSE THE EXTRA ADHESIVE MAY CAUSE THE DEFECT IN
ELECTRICAL CONTINUITY.

REVISED	EC NO. J2008-4264	2008/06/13	GENERAL TOLERANCES (UNLESS SPECIFIED)		DIMENSION STYLE MM ONLY		SCALE ---	DESIGN UNITS METRIC	THIRD ANGLE PROJECTION	
	DRWN:WATABE	2008/06/13	10 UNDER	± ---	DRAWN BY	DATE	TITLE	0.5FPC CONN. ZIF E/O HSG ASS'Y(H=2.5) -LEAD FREE-		
	CHKD:HIYASHI	2008/06/13	10 OVER 30 UNDER	± ---	CHECKED BY	DATE	MOLEX INCORPORATED			
	APPR:NUKITA	2008/06/13	30 OVER	± ---	APPROVED BY	DATE	MATERIAL NO.	DOCUMENT NO.	SHEET NO.	
			ANGULAR	±1 °	SEE SHEET 1		SD-501559-001		2 OF 2	
			DRAFT WHERE APPLICABLE MUST REMAIN WITHIN DIMENSIONS		THIS DRAWING CONTAINS INFORMATION THAT IS PROPRIETARY TO MOLEX INCORPORATED AND SHOULD NOT BE USED WITHOUT WRITTEN PERMISSION					

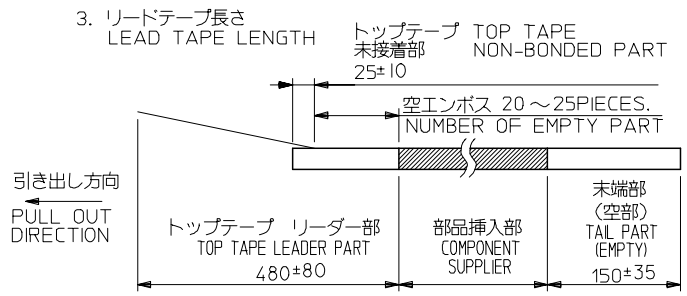
引き出し方向
PULL OUT DIRECTION



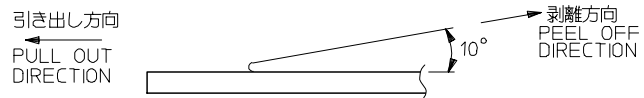
DETAIL "E"

NOTES

- 製品詳細寸法については図面 SD-501559-001 を参照下さい。
RE DETAILED DIMENSION, SEE SD-501559-001.
- 梱包数量：2000 個/リール
NUMBER OF CONNECTORS：2000PCS/REEL



- トップテープの剥離強度 $0.59 \pm 0.34N$ ($60 \pm 35gf$) (剥離方向は下図参照)
<剥離速度：300mm/minutes (参考)>
尚、本規格値は出荷時に適用。(但し、輸送時に剥離が発生しないこと。)
PEELING OFF FORCE OF TOP TAPE : $0.6 \pm 0.35N$ ($60 \pm 35gf$)
(PEELING DIRECTION AS SHOWN IN FOLLOWING FIGURE)
PEELING OFF SPEED : 300mm/minutes. (REFERENCE)
THIS REQUIREMENT SHOULD BE APPLIED AT SHIPMENT.
PEEL OFF SHOULD NOT BE ALLOWED , DURING TRANSPORTATION.

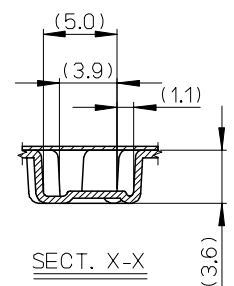
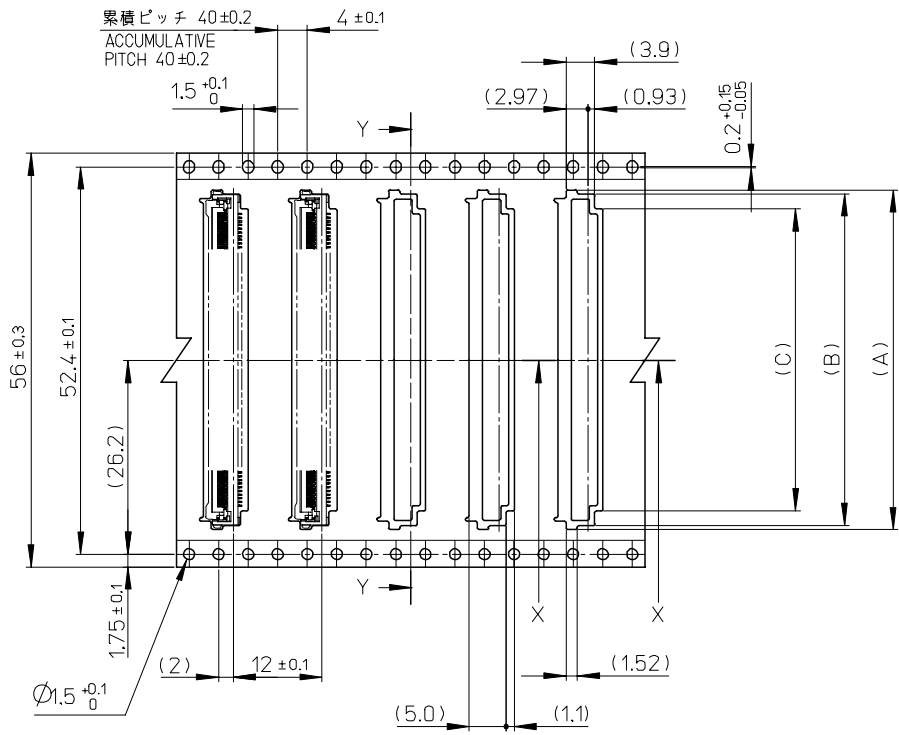
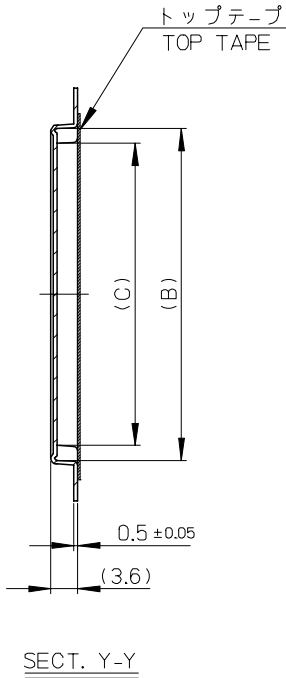


- 材料(MATERIAL)
キャリアテープ(CARRIER TAPE) :ポリプロピレン(POLYPROPYLENE)
トップテープ (TOPTAPE) : PET, PE
リール(REEL): ポリスチレン (PS) <リサイクル材を含む>
POLYSTYRENE (PS) <RECYCLE MATERIAL CONTAINED>

RELEASED EC NO: J2006-0896 DRWN:Y.TAKAYASU 2005/09/14 CHKDK:TAKAHASHI 2005/09/14 APPR:K.TAKAHASHI 2005/09/14 REV 0	GENERAL TOLERANCES (UNLESS SPECIFIED)		DIMENSION STYLE MM ONLY		SCALE ---	501559-xx93 MODEL NO.
	10 UNDER ±0.2		DRAWN BY DATE S.WATANABE 2004/12/24		TITLE	0.5 FPC CONN E/O EMBSTP PKG HGT=2.5 -LEAD FREE-
	10 OVER 30 UNDER ±0.25		CHECKED BY DATE H.HIRATA 2004/12/24			
	30 OVER ±0.3		APPROVED BY DATE M.SASAO 2004/12/24			MOLEX INCORPORATED
	ANGULAR ±3 °		MATERIAL NO.		DOCUMENT NO.	
DRAFT WHERE APPLICABLE MUST REMAIN WITHIN DIMENSIONS		SIZE A3		SEE CHART SD-501559-002		1 OF 2

10 9 8 7 6 5 4 3 2 1

引き出し方向
PULL OUT
DIRECTION



56	57.5	40.9	44.9	46	501559-8093	80
キャリアテープ幅 CARRIER TAPE WIDTH		D	C	B	A	製品番号 MATERIAL NO.
		SCALE ---		DESIGN UNITS METRIC		THIRD ANGLE PROJECTION

MODEL NO. 501559-***93

RELEASED EC NO: J2006-0896 DRWN:Y.TAKAYASU 2005/09/14 CHKDK:TAKAHASHI 2005/09/14 APPR:K.TAKAHASHI 2005/09/14	GENERAL TOLERANCES (UNLESS SPECIFIED)		DIMENSION STYLE MM ONLY		SCALE ---		DESIGN UNITS METRIC		THIRD ANGLE PROJECTION	
	10 UNDER	± ---	DRAWN BY S.WATANABE	DATE 2004/12/16	TITLE 0.5 FPC CONN E/O EMBSTP PKG HGT=2.5 -LEAD FREE- MOLEX INCORPORATED					
	10 OVER 30 UNDER	± ---	CHECKED BY H.HIRATA	DATE 2004/12/16						
	30 OVER	± ---	APPROVED BY M.SASAO	DATE 2004/12/16						
	ANGULAR ±1 °		DRAFT WHERE APPLICABLE MUST REMAIN WITHIN DIMENSIONS		MATERIAL NO. SEE CHART		DOCUMENT NO. SD-501559-002		SHEET NO. 2 OF 2	
0	REV	THIS DRAWING CONTAINS INFORMATION THAT IS PROPRIETARY TO MOLEX INCORPORATED AND SHOULD NOT BE USED WITHOUT WRITTEN PERMISSION								