

DATA SHEET

# Interface cable

USB 3.0 Type-A to Micro-B with screw locks, 5.0 m

**Product code**  
12328

**V1.0.0**  
2019-May-17

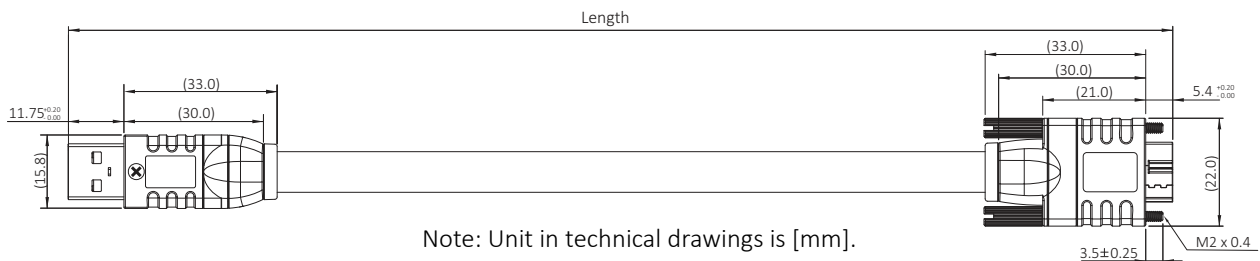


## NOTICE

### Malfunctions and short circuits by damaged cables and connectors

Provide sufficient strain relief for all cable connections.

## Cable and connector dimensions

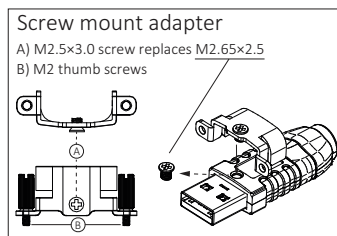
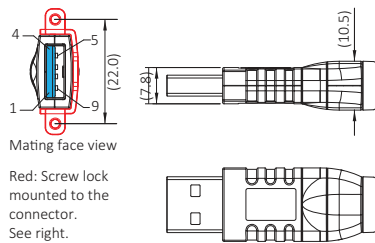


Connector 1:  
USB 3.0 Type-A male

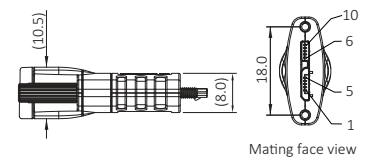
Cable

Connector 2:  
USB 3.0 Micro-B male

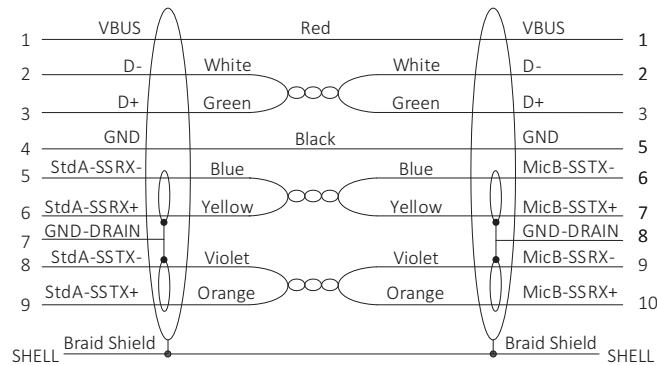
## Connector 1 and adapter description



## Connector 2 description



## Wiring diagram



## Specifications

| Feature                     | Specification   |
|-----------------------------|---|
| Length                      | 5.0 m ± 100 mm  |
| Diameter                    | 6.2 mm  |
| Classifications             | Industrial grade for static applications  |
| Static bending radius       | ≥ 62 mm   |
| Dynamic bending radius      | For static applications only  |
| Operating temperature range | -10°C to +60°C  |
| Regulations                 | 2011/65/EU, incl. amendment 2015/863/EU (RoHS), China RoHS, REACH, cable material: UL2725 |