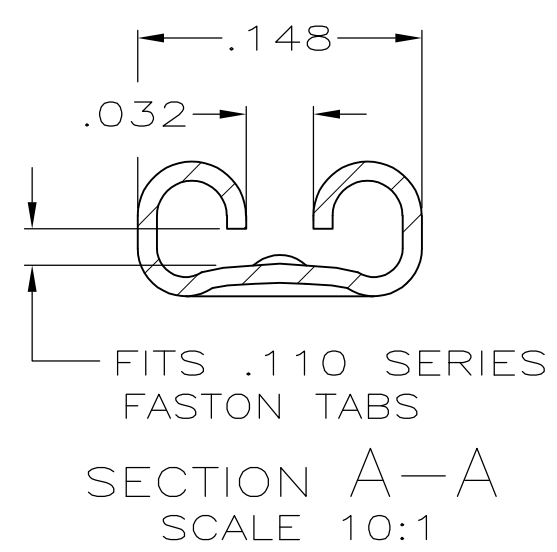
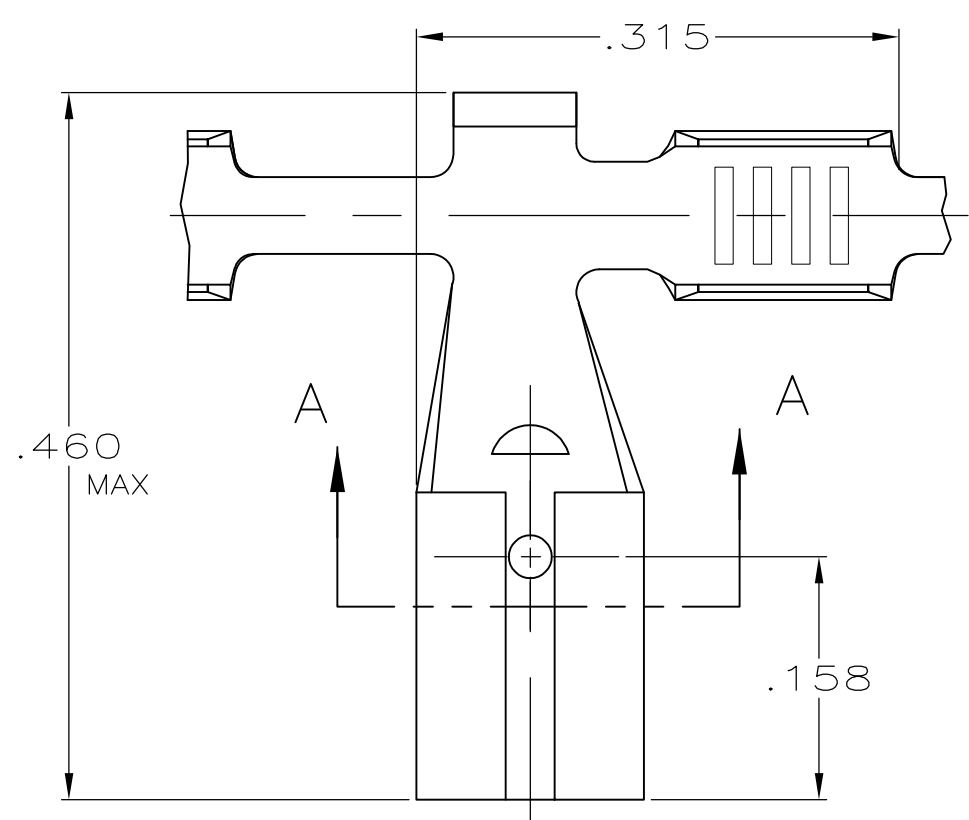
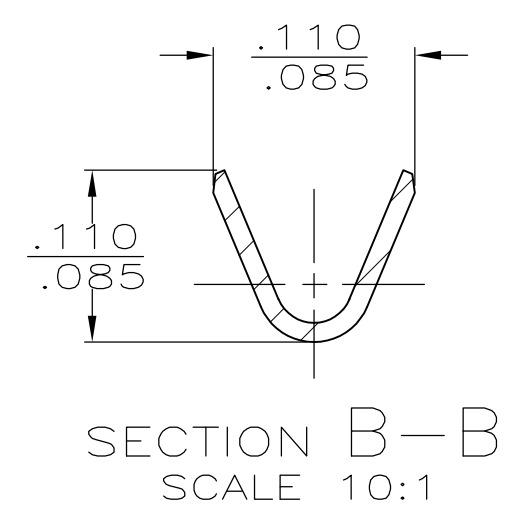
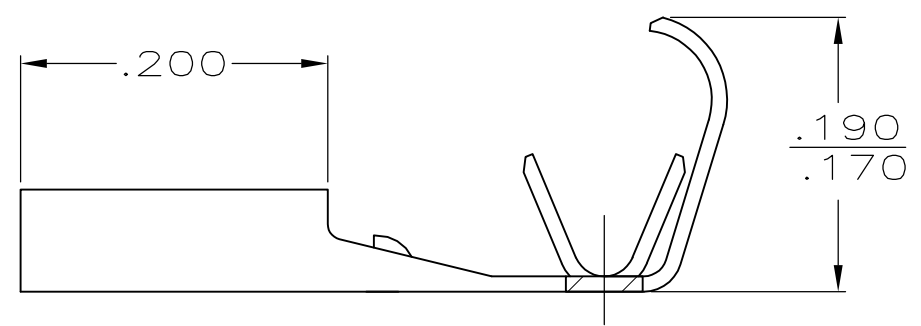
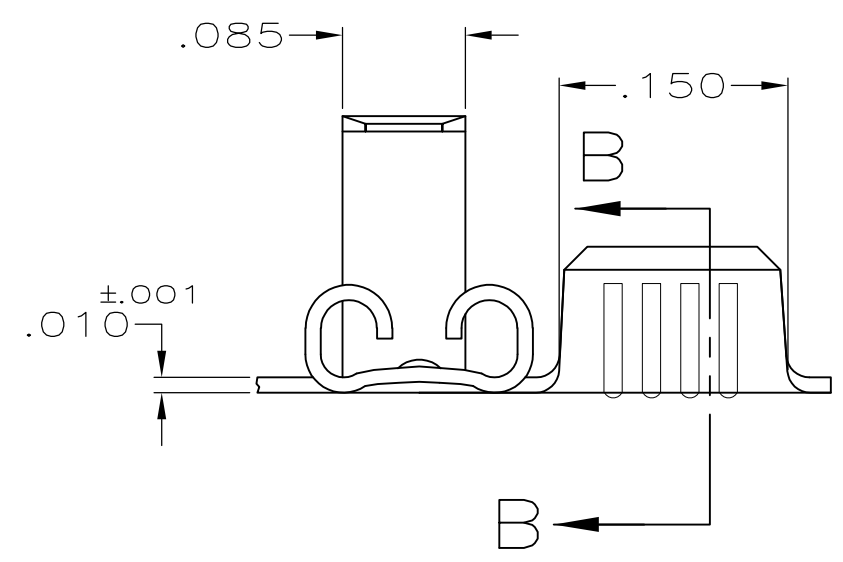


THIS DRAWING IS UNPUBLISHED. RELEASED FOR PUBLICATION
 © COPYRIGHT - By - ALL RIGHTS RESERVED.

LOC	DIST	REVISIONS					
AF	50	P	LTR	DESCRIPTION	DATE	DWN	APVD
		L		REVISED PER ECR-12-013459	28NOV2012	KH	PD



1 CONTINUOUS STRIP ON REELS
 2 TO BE REELED WITH PAPER.



OBSOLETE	#4H BRASS				-61971-3-2
OBSOLETE	T4 PHOS BRZ.	.065-.100 DIA	22-18 AWG	.032	-61971-2-
	BRASS				61971-1
	MATERIAL	INSULATION RANGE	WIRE SIZE	MATING TAB THK ±.001	PART NO

THIS DRAWING IS A CONTROLLED DOCUMENT.		DWN	JR RUTH	4/24/91	STE TE Connectivity		
DIMENSIONS: INCHES		CHK	MS FEHER	4/24/91			
TOLERANCES UNLESS OTHERWISE SPECIFIED:		APVD	C MEYERS	4/24/91	NAME		
0 PLC ± -		PRODUCT SPEC		RECEPTACLE, FASTON, FLAG, .110 SERIES			
1 PLC ± -		APPLICATION SPEC		SIZE	CAGE CODE	DRAWING NO	RESTRICTED TO
2 PLC ± -		MATERIAL		A300779		C-61971	-
3 PLC ± .015		FINISH		CUSTOMER DRAWING		SCALE	8:1
4 PLC ± -		PRE-TIN		SHEET		1 OF 1	REV
ANGLES ± -				L			