

# NBC-R4AC/2,0-94L/R4AC - Network cable



1199425

<https://www.phoenixcontact.com/pc/products/1199425>

Please be informed that the data shown in this PDF document is generated from our online catalog. Please find the complete data in the user documentation. Our general terms of use for downloads are valid.



Network cable, Ethernet CAT5e, 8-position, TPE, Teal, shielded, Plug straight RJ45 / IP20, on Plug straight RJ45 / IP20, cable length: 2 m

## Commercial data

Item number	1199425
Packing unit	1 pc
Minimum order quantity	1 pc
Product key	ABNABE
GTIN	4063151260378
Weight per piece (including packing)	22.22 g
Weight per piece (excluding packing)	22.22 g

1199425

<https://www.phoenixcontact.com/pc/products/1199425>

## Technical data

### Product properties

Product type	Data cable preassembled
Sensor type	Ethernet
Number of positions	8
No. of cable outlets	1
Number of slots	1
Shielded	yes
Cable outlet	straight

### Interfaces

Signal type/category	Ethernet CAT5e (Class D)
----------------------	--------------------------

### Signaling

Status display	No
Status display present	No

### Electrical properties

Nominal voltage $U_N$	30 V AC
	57 V DC
Nominal current $I_N$	1.5 A
Transmission medium	Copper

### Mechanical properties

#### Mechanical data

Insertion/withdrawal cycles	$\geq 750$
-----------------------------	------------

### Material specifications

Flammability rating according to UL 94	V0
Outer sheath, material	TPE

### Connector

#### Connection 1

Type	Plug straight RJ45 / IP20
Number of positions	8 (8)
Handle color	black
Material	(Contact)
	Gold (Contact surface)
	PVC (Housing)
Insertion/withdrawal cycles	$\geq 750$
Degree of protection	IP20
Ambient temperature (operation)	-40 °C ... 85 °C

# NBC-R4AC/2,0-94L/R4AC - Network cable



1199425

<https://www.phoenixcontact.com/pc/products/1199425>

Number of positions	8
Insertion/withdrawal cycles	750


## Connection 2

Type	Plug straight RJ45 / IP20
Number of positions	8 (8)
Handle color	black
Material	(Contact) Gold (Contact surface) PVC (Housing)
Insertion/withdrawal cycles	≥ 750
Ambient temperature (operation)	-40 °C ... 85 °C
Number of positions	8
Degree of protection	IP20

## Cable/line

Cable length	2 m
--------------	-----

## Highly flexible Ethernet CAT5e [94L]

Dimensional drawing	
Shielded	yes
UL AWM Style	2463 (80 °C / 600 V)
Cable type	Highly flexible Ethernet CAT5e
Cable type (abbreviation)	94L
Signal type/category	Ethernet CAT5e (TIA 568B)
Cable structure	4x2xAWG24/7; SF/UTP
External cable diameter	7.4 mm ±0.25 mm
Outer sheath, material	TPE
External sheath, color	Teal
Conductor material	Tin-plated Cu litz wires
Conductor structure signal line	7x 0.20 mm (7x32)
AWG signal line	24
Conductor cross section	4x 2x 0.2 mm <sup>2</sup>
Material wire insulation	PE
Wire diameter incl. insulation	1.2 mm
Single wire, color	white/blue-blue, white/orange-orange, white/green-green, white/brown-brown
Twisted pairs	2 cores to the pair

# NBC-R4AC/2,0-94L/R4AC - Network cable



1199425

<https://www.phoenixcontact.com/pc/products/1199425>

Overall twist	4 pairs for core
Shielding	Aluminum-lined polyester foil, tinned copper braided shield
Optical shield covering	75 %
Nominal voltage, cable	600 V
Test voltage, cable	2000 V
Wave impedance	100 Ω ±15 Ω (at 100 MHz)
Cable impedance	100 Ω ±15 Ω (at 1 ... 100 MHz)
Number of bending cycles	1000000
Minimum bending radius, drag chain applications	10 x D
Traversing path	0.23 m
Traversing rate	1.5 m/s
Acceleration	20.5 m/s <sup>2</sup>
Number of bending cycles	10000000
Minimum bending radius, drag chain applications	20 X D
Torsion force	360 °/m (1 lb. load)
Torsion cycles	4800000
Torsional frequency	71 (cycles/min)
Ambient temperature (operation)	20 °C
Near end crosstalk attenuation (NEXT)	50 dB (with 100 MHz (IEC 62153-4-9))
Return loss (RL)	20 dB (at 10 MHz (+6LOG))
	26 dB (at 20 MHz)
	26 dB (at 100 MHz (-5LOG))
Flame resistance	VW-1
Other resistance	Resistant to welding splashes Abrasion and oil resistance
	UV resistant CMX outdoor
Ambient temperature (operation)	-40 °C ... 80 °C (Cable, flexible installation)

## Environmental and real-life conditions

### Ambient conditions

Degree of protection	IP20 (RJ45 connector)
	IP20
Ambient temperature (operation)	-40 °C ... 85 °C (RJ45 connector)

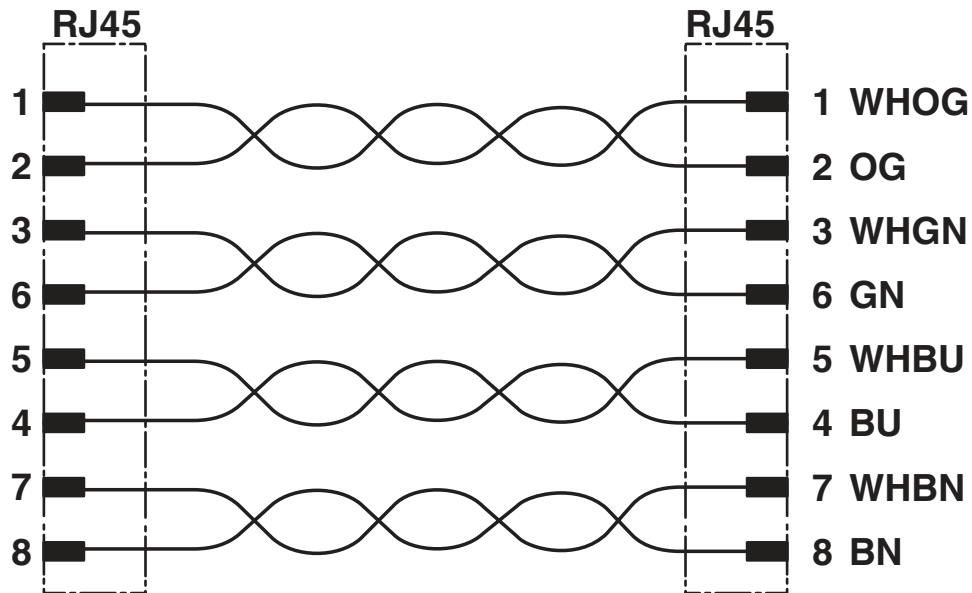
# NBC-R4AC/2,0-94L/R4AC - Network cable

1199425

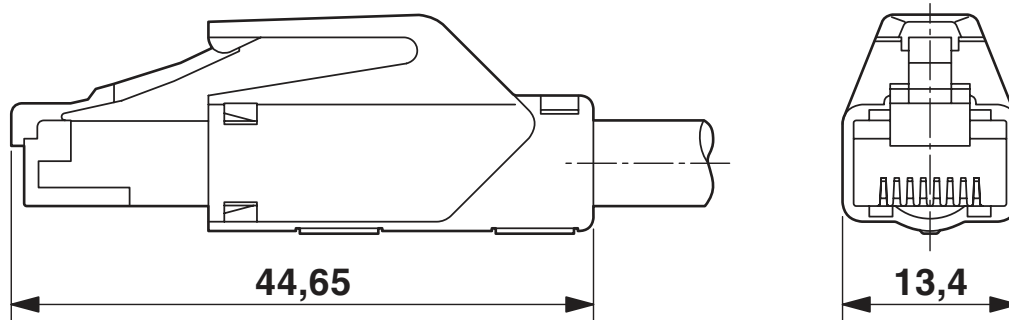
<https://www.phoenixcontact.com/pc/products/1199425>

## Drawings

Circuit diagram



Dimensional drawing



RJ45 connector, IP20

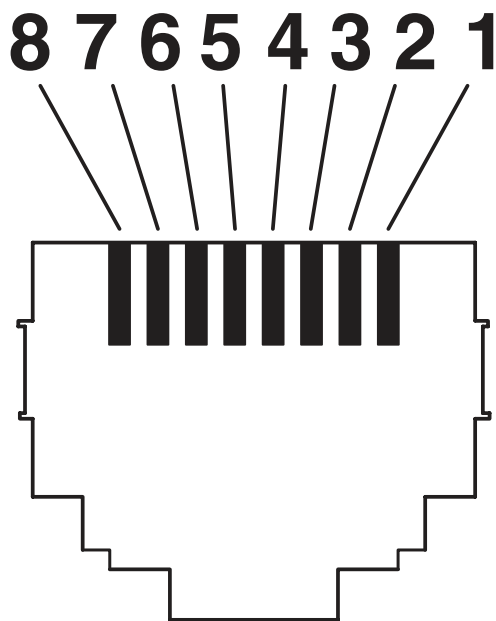
# NBC-R4AC/2,0-94L/R4AC - Network cable

1199425

<https://www.phoenixcontact.com/pc/products/1199425>



Schematic diagram



Connector pin assignment plug RJ45

# NBC-R4AC/2,0-94L/R4AC - Network cable





1199425

<https://www.phoenixcontact.com/pc/products/1199425>

## Approvals

To download certificates, visit the product detail page: <https://www.phoenixcontact.com/pc/products/1199425>

 <b>UL Listed</b> Approval ID: File E335024				
	Nominal voltage $U_N$	Nominal current $I_N$	Cross section AWG	Cross section $\text{mm}^2$
	60 V	0.5 A	-	-

 <b>cUL Listed</b> Approval ID: File E335024				
	Nominal voltage $U_N$	Nominal current $I_N$	Cross section AWG	Cross section $\text{mm}^2$
	60 V	0.5 A	-	-

# NBC-R4AC/2,0-94L/R4AC - Network cable



1199425

<https://www.phoenixcontact.com/pc/products/1199425>

## Classifications

### ECLASS

ECLASS-11.0	27469090
ECLASS-12.0	27469090
ECLASS-13.0	27469090

### ETIM

ETIM 8.0	EC002943
----------	----------



# NBC-R4AC/2,0-94L/R4AC - Network cable



1199425

<https://www.phoenixcontact.com/pc/products/1199425>

## Environmental product compliance

China RoHS	Environmentally friendly use period: unlimited = EFUP-e
	No hazardous substances above threshold values

Phoenix Contact 2023 © - all rights reserved  
<https://www.phoenixcontact.com>

PHOENIX CONTACT GmbH & Co. KG  
Flachmarktstraße 8  
D-32825 Blomberg  
+49 (0) 5235-3 00  
[info@phoenixcontact.com](mailto:info@phoenixcontact.com)