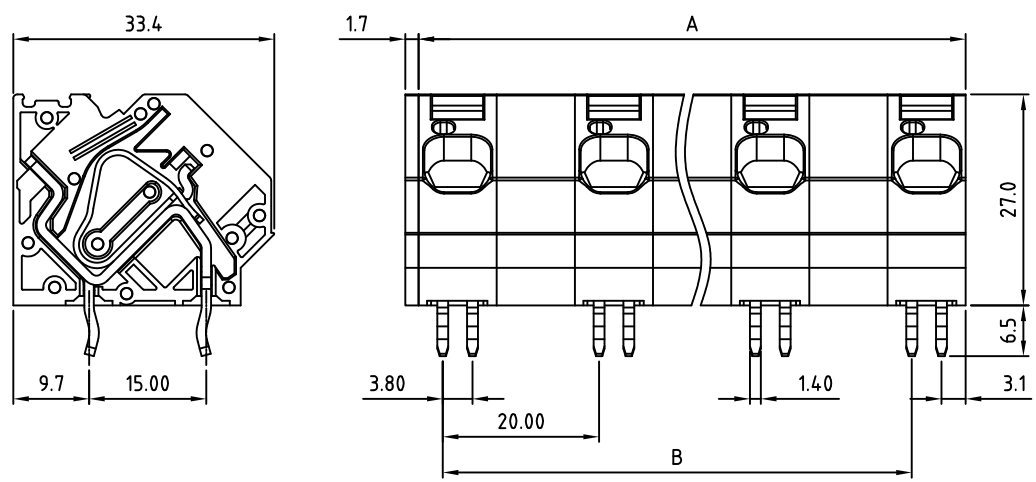


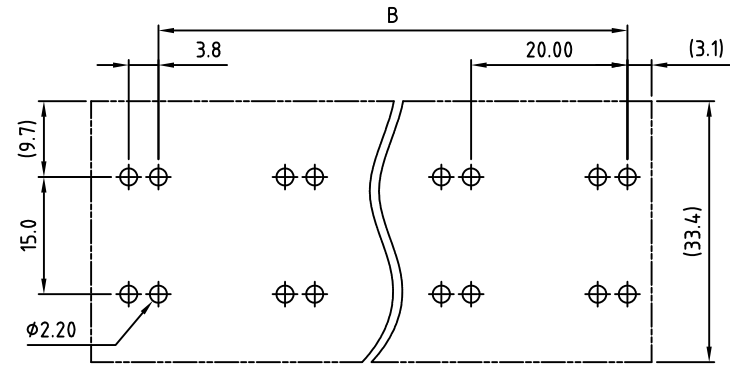
SIGN	DATE	DESCRIPTION	APPROVER
		<i>THIS IS CAD DRAWING, DO NOT REVISE MANUALLY!!!</i>	



- Material:
- Insulator(housing): Thermoplastic (UL94V-0)
  - Wire guard: Stainless steel
  - Terminal Body(contact pin): Copper.Tin platd
  - Insulator(Cover): Thermoplastic (UL94V-0)
  - Pad board: Thermoplastic (UL94V-0)

- Electrical:
- |                          |                        |       |
|--------------------------|------------------------|-------|
|                          | cULus                  | VDE   |
| ● Voltage rating:        | 600V                   | 1000V |
| ● Current rating:        | 37A                    | 76A   |
| ● Wire range:            | 0.2-16 mm <sup>2</sup> |       |
| Solid wire(AWG):         | 6-24                   |       |
| Stranded wire(AWG):      | 6-24                   |       |
| ● Wire strip length:     | 12-13mm                |       |
| ● Withstanding Voltage:  | 2.2KV                  | 3.5KV |
| ● Operating temperature: | -40°C to +115°C        |       |
| ● Soldering temperature: | 250°C±10°C/5 Sec       |       |
| ● Safety Approval:       |                        |       |

RoHS Compliant



PCB Layout

PART NUMBER:

**OSTH8XX2080**

- |              |                    |
|--------------|--------------------|
| No. of Poles | COLOR              |
| 02 2 Poles   | 0: Black           |
| 03 3 Poles   | 5: Green           |
| ... ..       | 6: Blue            |
| 08 8 Poles   | 8: Grey (Standard) |

THESE DRAWINGS AND SPECIFICATIONS ARE THE PROPERTY OF ON-SHORE TECHNOLOGY, INC. AND SHALL NOT BE REPRODUCED, COPIED OR USED IN ANY MANNER WITHOUT THE PRIOR WRITTEN CONSENT OF ON-SHORE TECHNOLOGY, INC.

POLE		2	3	4	5	6	7	8
A		30.00	50.00	70.00	90.00	110.00	130.00	150.00
B		20.00	40.00	60.00	80.00	100.00	120.00	140.00
Tol.		±0.15			±0.25			
POLE	9	10	11	12	13	14	15	16
A	170.00	190.00	210.00	230.00	250.00	270.00	290.00	310.00
B	160.00	180.00	200.00	220.00	240.00	260.00	280.00	300.00
Tol.	±0.35				±0.50			



TITLE		OSTH8 20.0mm Series					
PART NO.		OSTH8XX2080			DWG NO.		OSTH8XX2080.DWG
APPROVED		CHECKED	DESIGNED	DRAWN	CUST NO.		Tolerance
			Aaron 2010.06.08	Aaron 2007.09.14			X. ±0.50
							X.X ±0.30
							X.XX ±0.10
							X* ±1*
					SHEET: 01/01		UNIT: mm
							SCALE: NONE
							REV: A