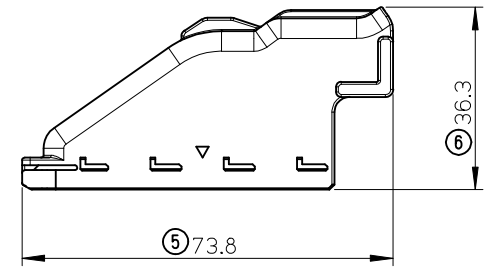
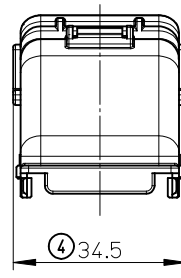
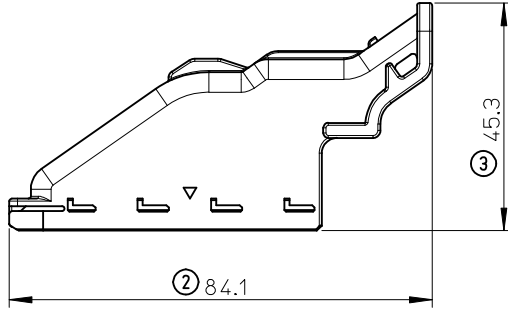
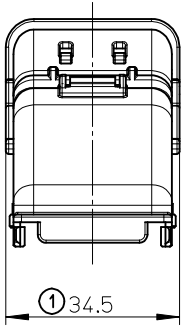
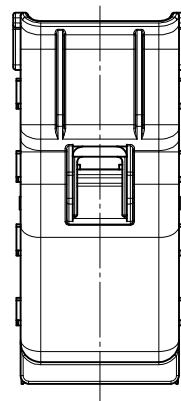
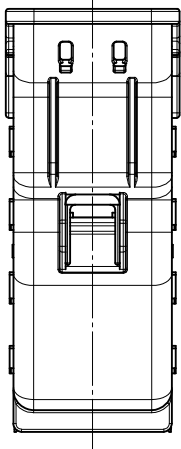


10 9 8 7 6 5 4 3 2 1



LONG TYPE
560191-0111

SHORT TYPE
560191-0101

- NOTE
- GENERAL TOLERANCES
 <10: ±0.3
 10 ≤ <30: ±0.4
 30 ≤ : ±0.5
 ANGULAR : ±5°
 - APPLICABLE CONNECTOR
560155 SERIES
 - MATERIAL: PA, UNFILLED
 - COLOR: BLACK
 - ELV & RoHS COMPLIANT

PROPOSED EC NO: JTR2016-0003 DRWN:SHSHIBATA 2014/08/19 CH'KD:HKOMATSU 2014/08/19 APPR:MAYAMAMOTO 2015/11/12	QUALITY SYMBOLS	GENERAL TOLERANCES (UNLESS SPECIFIED)		DIMENSION STYLE	SCALE	DESIGN UNITS	THIRD ANGLE PROJECTION	
	F _A =0 F _B =0 F _C =0	4 PLACES	mm	INCH	MM ONLY	1:1	METRIC	
		3 PLACES	±0.2	±---	DRAWN BY	DATE	TITLE	
		2 PLACES	±0.25	±---	SHSHIBATA	2014/08/19	WIRE DRESS COVER FOR COMPACTUS	
1 PLACE		±0.3	±---	CHECKED BY	DATE			
0 PLACE	±0.1	±---	HKOMATSU	2014/08/19				
	ANGULAR	±1°		APPROVED BY	DATE			
	DRAFT WHERE APPLICABLE MUST REMAIN WITHIN DIMENSIONS			MAYAMAMOTO	2015/11/12			
				MATERIAL NO.	---	DOCUMENT NO.	SHEET NO.	
				SIZE	A3	SD-560191-001	1 OF 1	
				THIS DRAWING CONTAINS INFORMATION THAT IS PROPRIETARY TO MOLEX INCORPORATED AND SHOULD NOT BE USED WITHOUT WRITTEN PERMISSION				

9 8 7 6 5 4 3 2 1