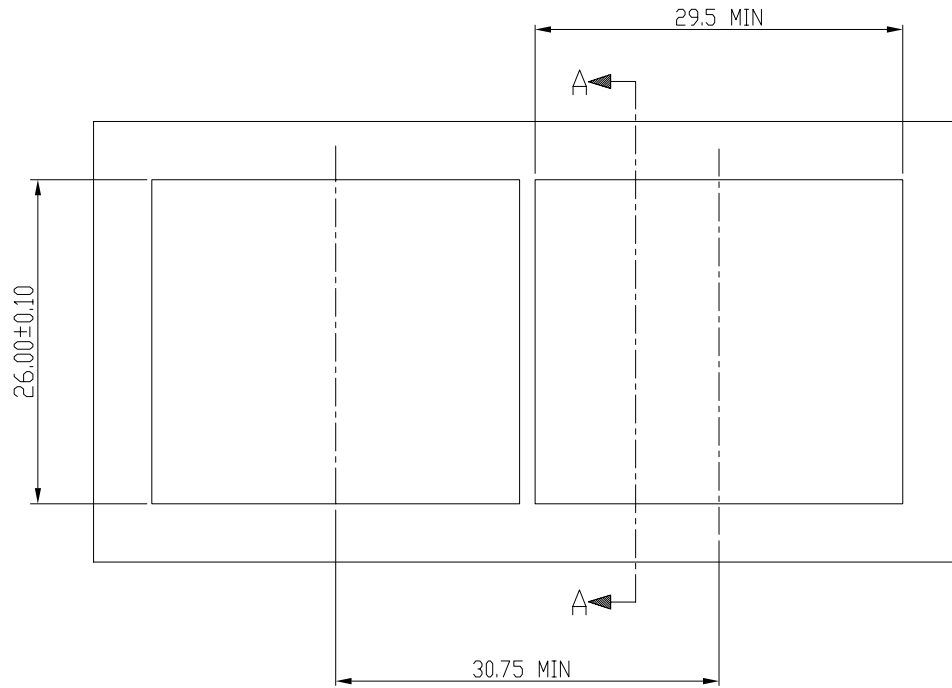


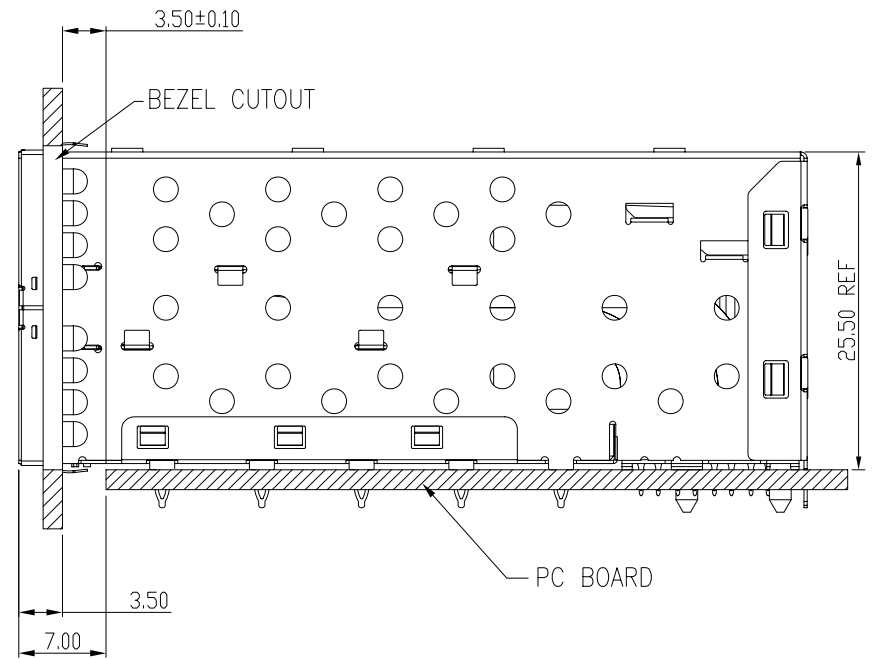
|             |                     |        |                        |         |
|-------------|---------------------|--------|------------------------|---------|
| Qty Per:    | TRAY                | CARTON |                        |         |
|             | 12                  | 72     |                        |         |
| PART NUMBER | STATEMENT           |        |                        |         |
| SFPP-3133-L |                     |        |                        |         |
| No.         | DESCRIPTION         | Q'ty   | MATERIAL               | PLATING |
| 01          | SFP CAGE (Non-Logo) | 1      | COPPER ALLOY           |         |
| 02          | CONNECTOR           | 2      | HIGH TEMP/COPPER ALLOY | GOLD    |
| 03          | EMI TAB             | 2      | COPPER ALLOY           |         |

|                        |   |                                  |                          |  |      |           |
|------------------------|---|----------------------------------|--------------------------|--|------|-----------|
| DETACHED LISTS         | MM<br>(INCH)                                | <b>RoHS Compliant</b>            |                          |  |      |           |
|                        | TOLERANCES EXCEPT AS NOTED                  | TITLE                            |                          |  |      | W/EMI TAB |
|                        | MM  | SFP PLUS 2 BY 2 CAGE+CONNECTOR_P |                          |  |      |           |
|                        | .0 ± 0.25 ±<br>.00 ± 0.2 ±<br>.000 ± 0.10 ± |                                  |                          |  |      |           |
| ANGLES ± 0.5           | DFTD Jack                                   |                                  | DRAWING NO. CSFPP-3133-L |  | SIZE |           |
|                        | DATE 3/08/10'                               |                                  | /PART NO. SFPP-3133-L    |  | REV  |           |
| THIRD ANGLE PROJECTION | SCALE : 2:1                                 |                                  | DO NOT SCALE DRAWING     |  | A3 0 |           |
|                        |   |                                  | SHEET 1 OF 4             |  |      |           |

8      7      6      5      4      3      2      1



BEZEL CUT-OUT CENTER SPACING DETAIL  
 BEZEL THICKNESS:0.8-2.6



|                            |                            |                          |   |                      |     |  |
|----------------------------|----------------------------|--------------------------|---|----------------------|-----|--|
| DETACHED LISTS             | MM<br>(INCH)               |                          | <b>RoHS Compliant</b>                             |                      |     |  |
|                            | TOLERANCES EXCEPT AS NOTED |                          | TITLE<br>SFP 2 BY 2 CAGE+CONNECTOR_P<br>W/EMI TAB |                      |     |  |
|                            | MM                         |                          |   |                      |     |  |
|                            | .0 ± 0.25                  | ±                        |   |                      |     |  |
| .00 ± 0.2                  | ±                          | DRAWING NO. CSFPP-3133-L |   | SIZE                 | REV |  |
| .000 ± 0.10                | ±                          | DATE 3/08/10'            |   | A3                   | 0   |  |
| ANGLES ± 0.5               |                            | SCALE : 2:1              |   | DO NOT SCALE DRAWING |     |  |
| <br>THIRD ANGLE PROJECTION |                            | DRAWING NO. CSFPP-3133-L |   | SHEET 2 OF 4         |     |  |
|                            |                            | /PART NO. SFPP-3133-L    |   |                      |     |  |

8

7

6

5

4

3

2

1

H

G

F

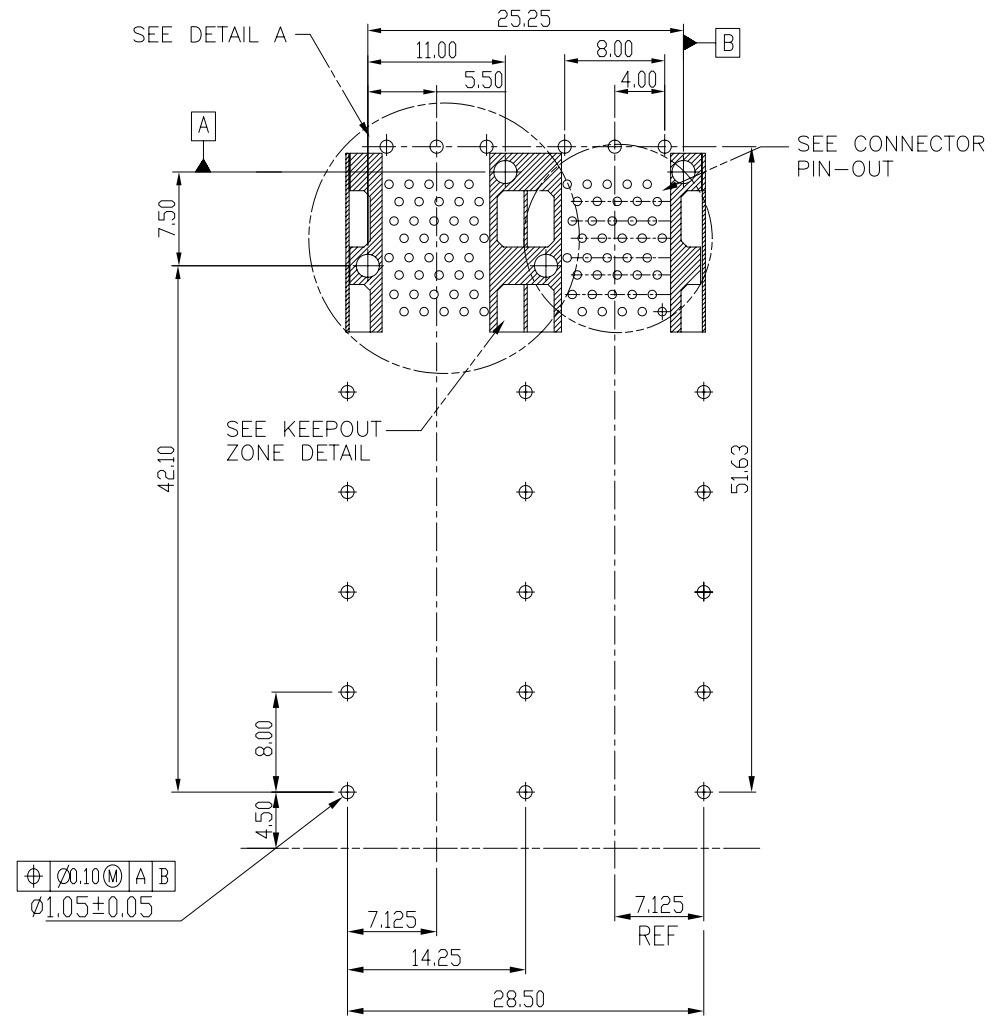
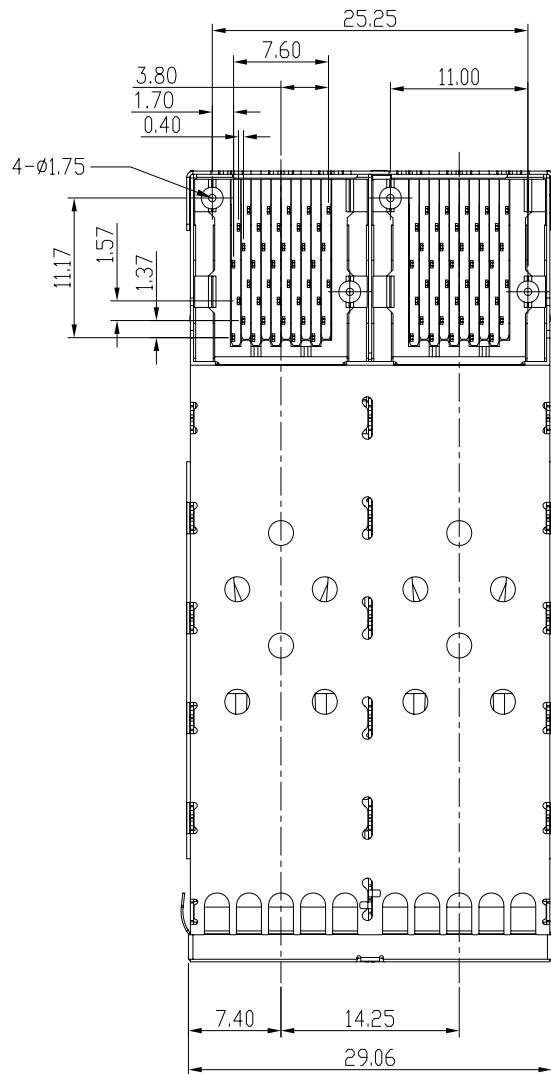
E

D

C

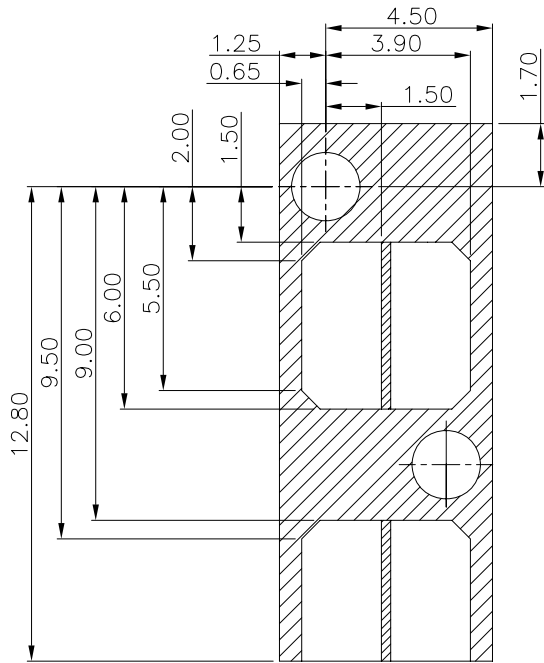
B

A

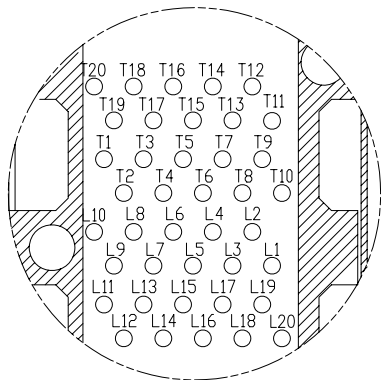


$\phi \phi 0.10 \text{ (M) A B}$   
 $\phi 1.05 \pm 0.05$

|   |             |                                      |  |                       |  |
|---|-------------|--------------------------------------|--|-----------------------|--|
| MM<br>(INCH)                                |             | <b>RoHS Compliant</b>                |  |                       |  |
| TOLERANCES EXCEPT AS NOTED                  |             | TITLE<br>SFP 2 BY 2 CAGE+CONNECTOR_P |  |                       |  |
| DETACHED LISTS                              |             | W/EMI TAB                            |  | SIZE<br>A3            |  |
| MM<br>.0 ± 0.25<br>.00 ± 0.2<br>.000 ± 0.10 | ±<br>±<br>± | DATE 3/08/10'                        |  | REV<br>0              |  |
| ANGLES ± 0.5                                |             | DRAWING NO. CSFPP-3133-L             |  | SHEET 3 OF 4          |  |
| <br>THIRD ANGLE PROJECTION                  |             | DATE 3/08/10'                        |  | /PART NO. SFPP-3133-L |  |
| SCALE : 2:1                                 |             | DO NOT SCALE DRAWING                 |  | SHEET 3 OF 4          |  |

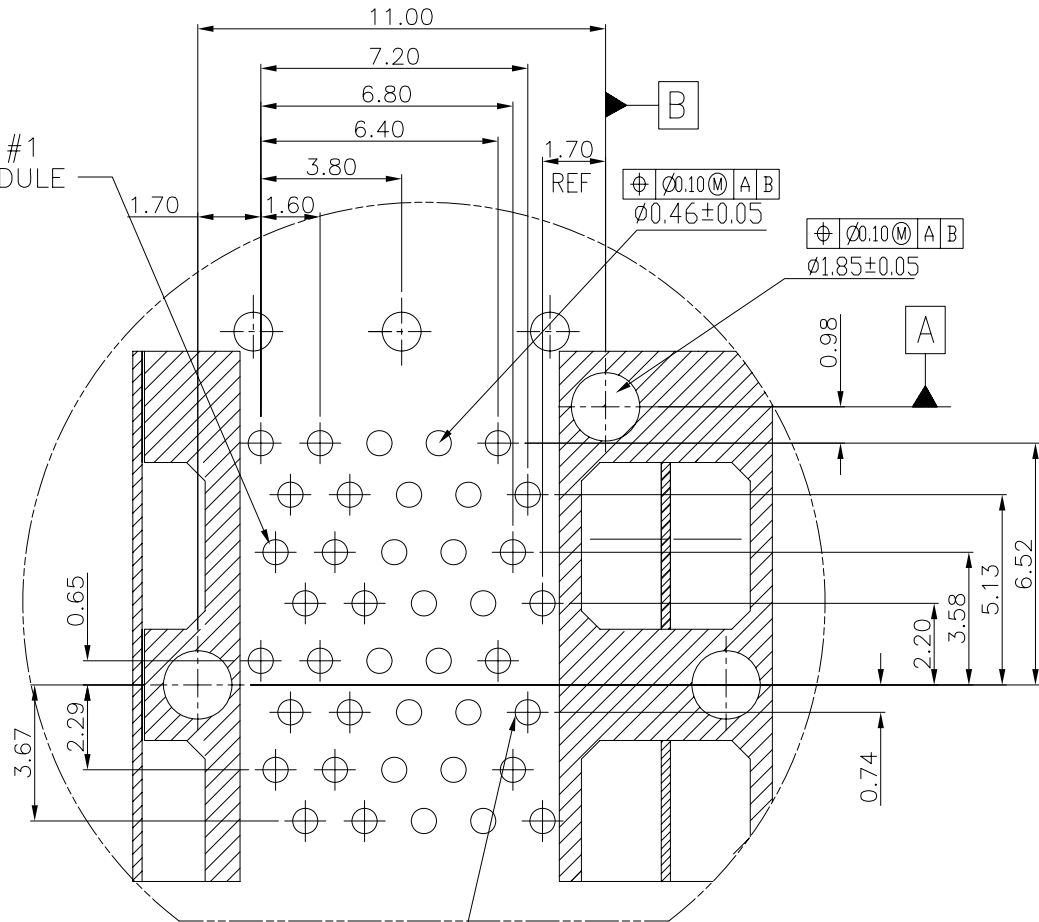


KEEPOUT ZONE DETAIL  
SCALE 6:1



CONNECTOR PIN-OUT  
COMPONENT SIDE OF BOARD

CIRCUIT #1  
TOP MODULE



CIRCUIT #1  
BOTTOM MODULE

DETAIL A  
SCALE 6:1

|                |                            |                          |                                      |  |  |               |     |
|----------------|----------------------------|--------------------------|--------------------------------------|--|--|---------------|-----|
| DETACHED LISTS | ← MM (INCH) →              |                          | <b>RoHS Compliant</b>                |  |  |               |     |
|                | TOLERANCES EXCEPT AS NOTED |                          | W/EMI TAB                            |  |  |               |     |
|                | MM                         | ±                        | TITLE<br>SFP 2 BY 2 CAGE+CONNECTOR_P |  |  |               |     |
| .0 ± 0.25      | ±                          | DRAWING NO. CSFPP-3133-L |                                      |  |  | SIZE          | REV |
| .00 ± 0.2      | ±                          |                          |                                      |  |  | DATE 3/08/10' |     |
| .000 ± 0.10    | ±                          | DRAWING NO. SFPP-3133-L  |                                      |  |  |               |     |
| ANGLES ± 0.5   | THIRD ANGLE PROJECTION     |                          |                                      |  |  | SCALE : 2:1   |     |