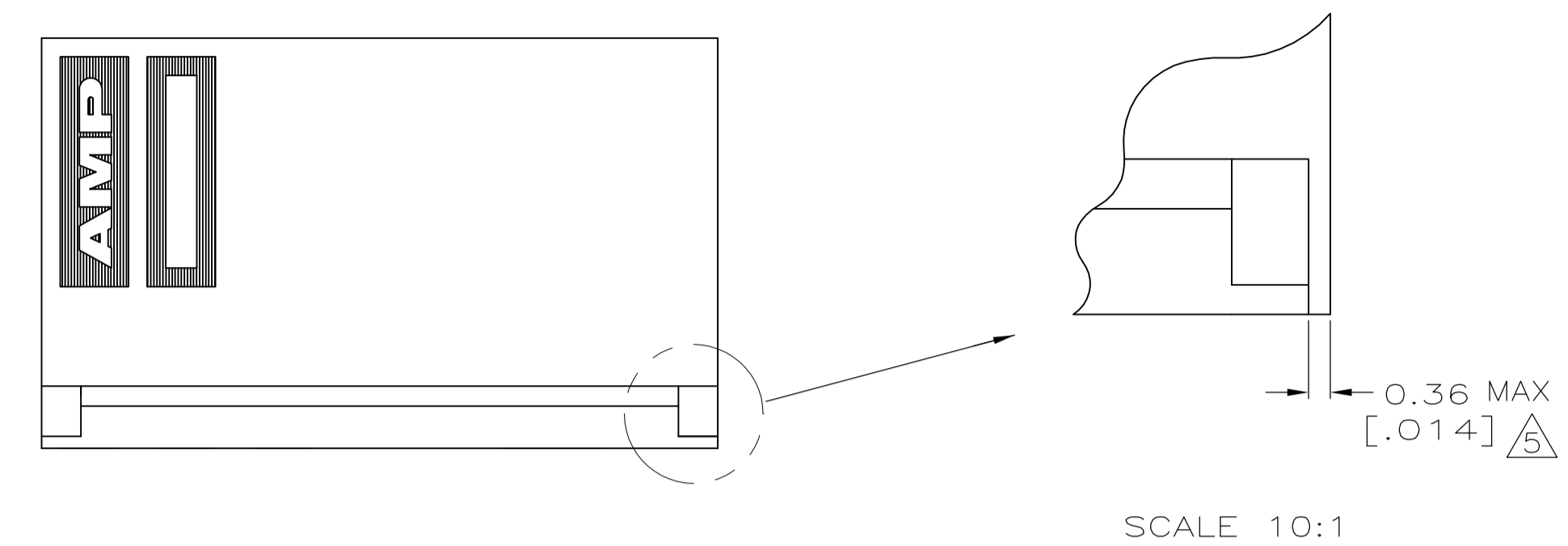
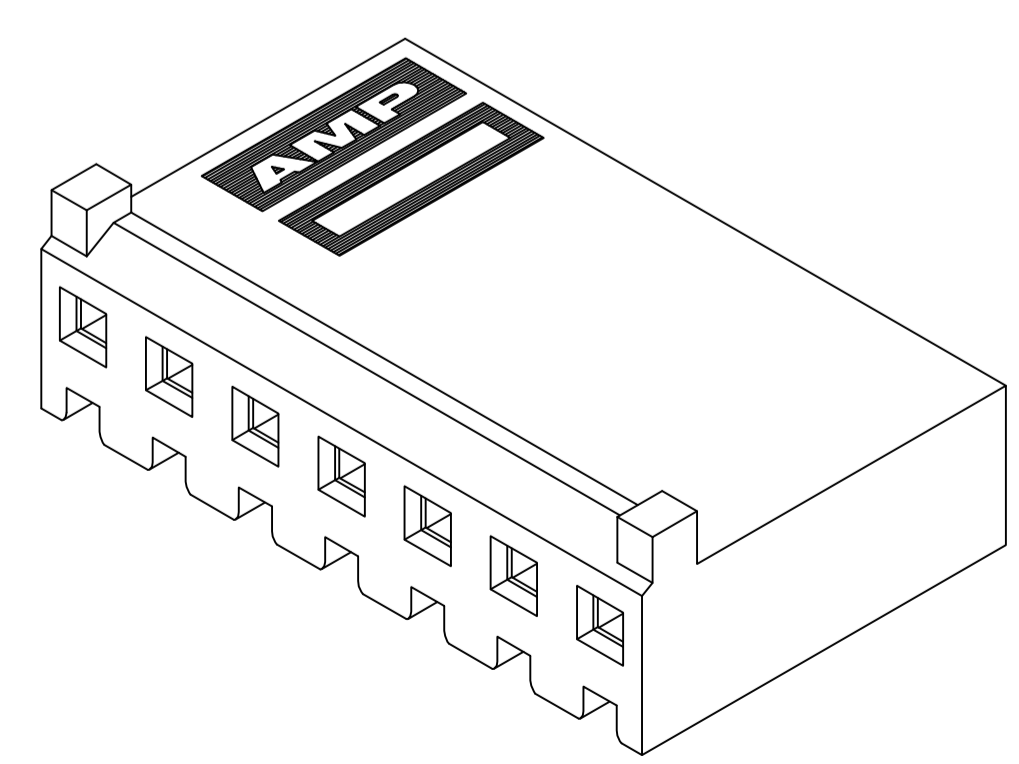
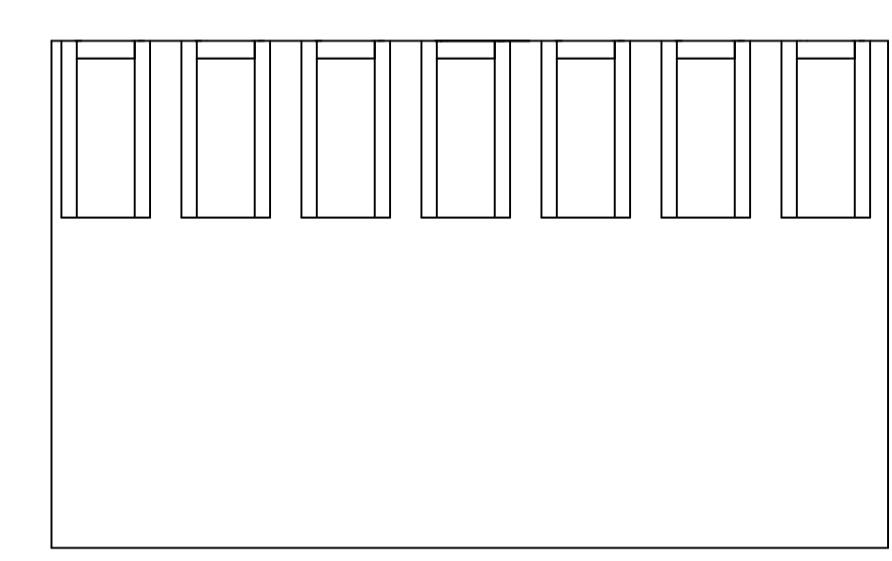
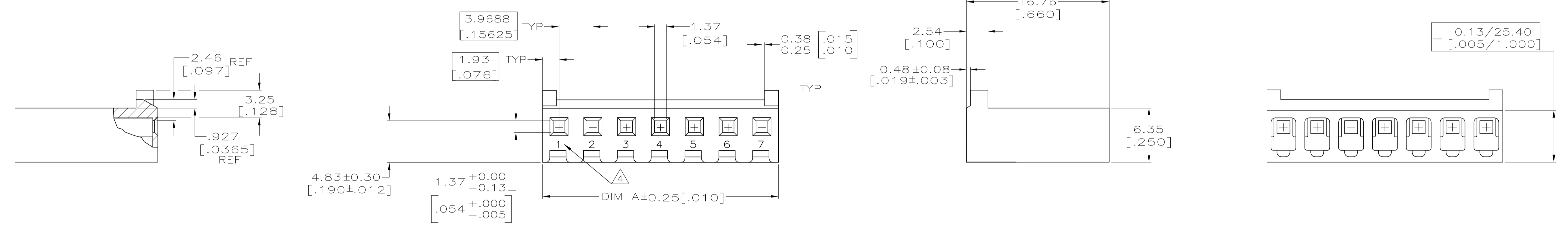


LOC		DIST		REVISIONS			
CM	00	REV	DATE	DESCRIPTION	DATE	BY	APPV
		A	30JUL12	REVISED PER ECO-12-007810		KH	SM

- 1 UNIT ACCEPTS 1.14[.045] SQUARE OR ROUND POST.
- 2 UNIT ACCEPTS STANDARD SL-156 CONTACTS.
- 3 UNIT ACCEPTS KEYING PLUG 640254-1 AND KEYING PIN 640255-1.
- 4 IDENTIFICATION NUMBER FOR ALL POSITIONS, OR FOR POSITION 1 ONLY, WILL BE LOCATED AS SHOWN.
- 5 OPTIONAL CONSTRUCTION, BOTH ENDS.
- 6 DIMENSIONS IN BRACKETS ARE IN INCHES.



SCALE 10:1



3-DIMENSIONAL MODEL NTS

DIM A	NO OF POSN	PART NUMBER
27.69[1.090]	7	770849-7

THIS DRAWING IS A CONTROLLED DOCUMENT.

DIMENSIONS: mm [INCHES]	TOLERANCES UNLESS OTHERWISE SPECIFIED:	DIN K. WHITAKER 24-JAN-2003	APVD J. ELLIS 24-JAN-2003	NAME
0 PLC ± -	1 PLC ± -	2 PLC ± -	3 PLC ± 0.13 [.005]	APPLICATION SPEC
4 PLC ± -	ANGLES ± -			
MATERIAL NYLON,UL 94V-0 BROWN	FINISH -	WEIGHT -	SIZE A1	CAGE CODE DRAWING NO. 00779 C=647561
CUSTOMER DRAWING		SCALE 4:1	SHEET 1 OF 1	REV A

STE TE Connectivity

HOUSING WITH LOCKING RAMP AND POLARIZING TABS, COLORED BROWN, SL-156

