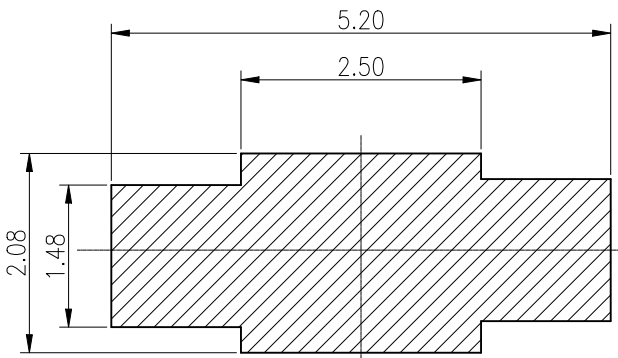
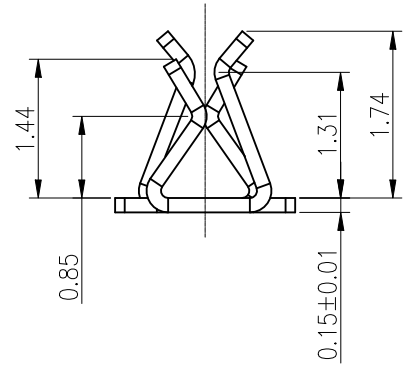
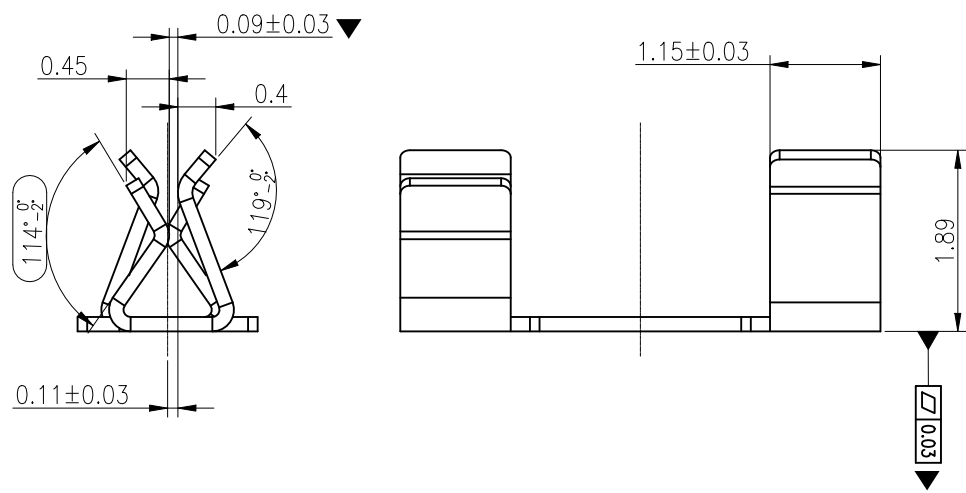
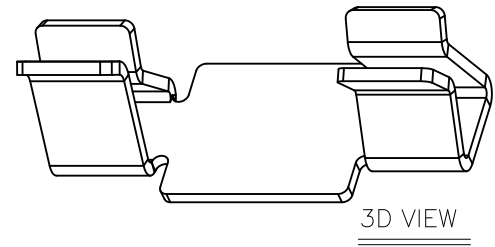


REV.	ECR/ECN No.	DESCRIPTION	DRAWN/DATE	CHECKED/DATE	APPROVED/DATE
A		NEW RELEASE	Bing Ye 2014-01-03	Qi Han 2014-01-03	ROY 2014-01-03
B	ECN2022152	UPDATE FRAME	Abner 2022-09-27	Staven 2022-09-27	Sam 2022-09-27



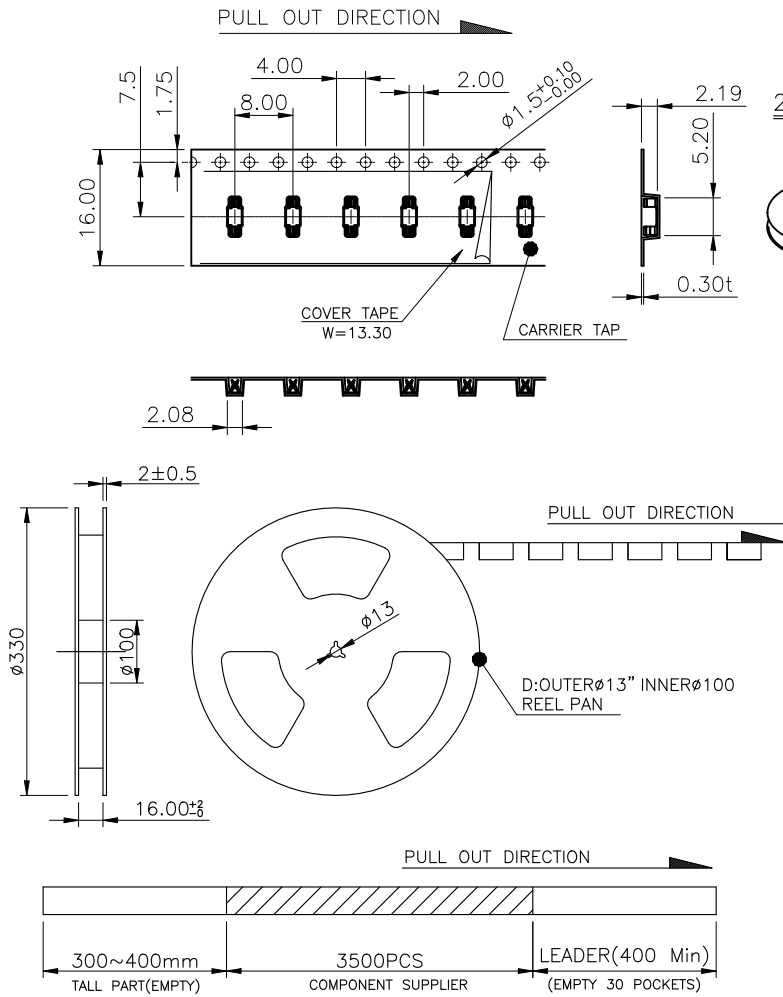
RECOMMEND PCB LAYOUT SIZE

NOTES:

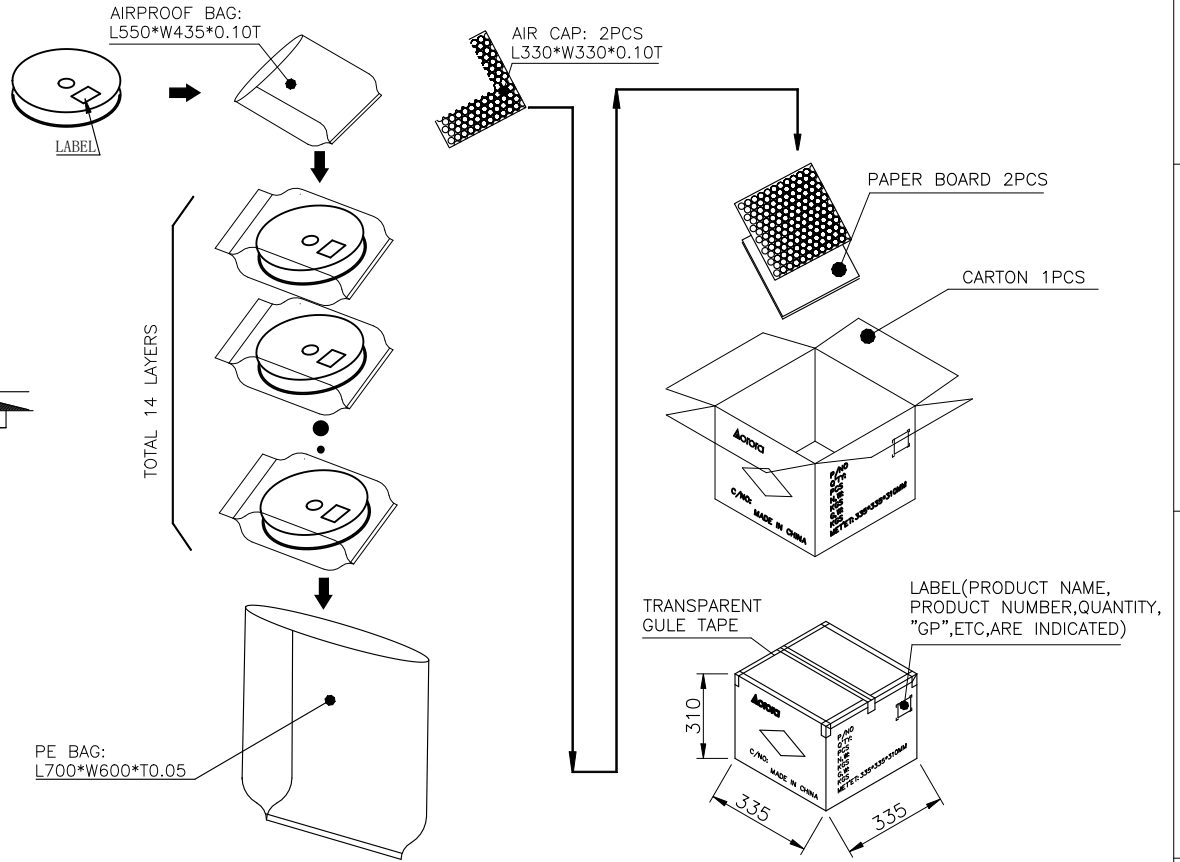
- MATERIAL: SUS 304 T=0.15mm;
- FINISH: Tin 80~200u" SURFACE PLATING OVER ALL;
Ni 40~120u" UNDER PLATING OVER ALL,
- BURR: 0.03mm MAX.
- "○" NOTATION FOR IMPORTANT DIMENSION
"▼" MARKED IS CPK

UNLESS OTHERWISE SPECIFIED TOLERANCES		ANGLE OF PROJECTION		Amphenol AORORA	
X.	±0.20	X. °	± 5'	Amphenol Aorora Technology (Huizhou) Co.,Ltd	
X.X	±0.10	X.X °	± 3'		
X.XX	±0.05	X.XX °	± 0.2'	TITLE: H1.89 CLIP	
X.XXX	±0.03	X.XXX °	± 0.1'	SIZE: A4	
LINEAR DIMS		ANGLES DIMS		PART NUMBER: Z00A-4G7U1-11000	
DWG NO.: A-S0135		DRAWN DATE: Bing Ye 2014-01-03		REV. B	
MATERIAL: SEE NOTES		DESIGN DATE: Bing Ye 2014-01-03		SCALE: 1:1	
FINISHED: SEE NOTES		CHECKED DATE: Han Qi 2014-01-03		UNIT: mm	
		APPROVED DATE: ROY 2014-01-03		SHEET 1 OF 1	

1. PACKING INTO REEL:



2. PACKING INTO CARTON:



REV.	ECR/ECN No.	DESCRIPTION	DRAWN/DATE	CHECKED/DATE	APPROVED/DATE
B		Add PE bag specification	Staven 2016-08-10	Andy 2016-08-10	HongKui.Liu 2016-08-10
C	ECN2022152	UPDATE FRAME	Abner 2022-09-28	Staven 2022-09-28	Sam 2022-09-28

NOTES:

- MATERIAL:
 - CARRY TAPE:PS,T=0.3mm,CLEAR:Transparent.
 - REEL:HIPS,BLUE.
 - SHIM:PE,CLEAR.
- PRIMARY PACKING:3500PCS/REEL.
- SECONDARY PACKING:14REELS/CARTON(49000PCS/CARTON).
- PEELING RESISTANCE: 0.2N~1.2N(20~120gf);
PEELING ANGLE: 165°~180°;
PEELING SPEED: 300mm/minutes.

UNLESS OTHERWISE SPECIFIED TOLERANCES				ANGLE OF PROJECTION		Amphenol AORORA	
X.	±0.15	X. *	± 1'			Amphenol Aorora Technology (Huizhou) Co.,Ltd	
X.X	±0.16	X.X *	± 0.5'				
X.XX	±0.05	X.XX *	± 0.5'	DOC TYPE		TITLE:	
X.XXX	±0.03	X.XXX *	± 1'	PACKING DWG.		H1. 89 CLIP PACKING	
LINEAR DIMS		ANGLES DIMS		DRAWN	DATE	Staven	2016-08-10
DWG NO.:	A-H0031			DESIGN	DATE	Staven	2016-08-10
MATERIAL	SEE NOTES			CHECKED	DATE	Andy	2016-08-10
FINISHED	SEE NOTES			APPROVED	DATE	HongKui.Liu	2016-08-10
SIZE	PART NUMBER:		REV.				
A4	Z00A-4G7U1-11000		C				
SCALE	1:1	UNIT : mm	SHEET 1 OF 1				

This document is the property of and embodies CONFIDENTIAL and PROPRIETARY information of AORORA. No part of the information shown on this document may be used in any way or disclosed to others without the written consent of AORORA. © 2019 AORORA

Amphenol AORORA