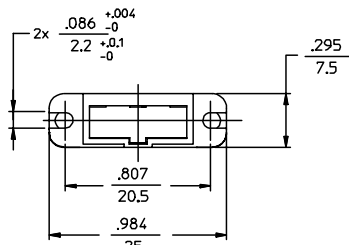
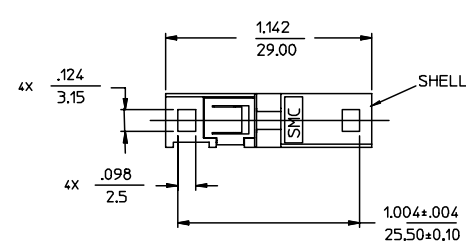
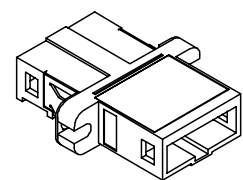


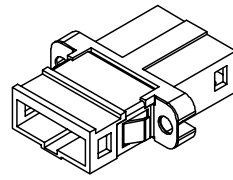
PART N	COLOR
86107-0000	BLACK
86107-0100	BEIGE



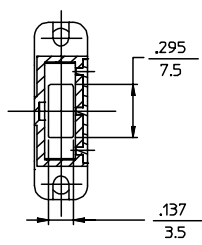
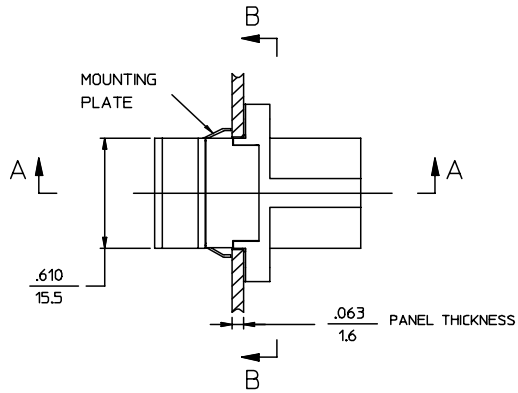
VERSION 1



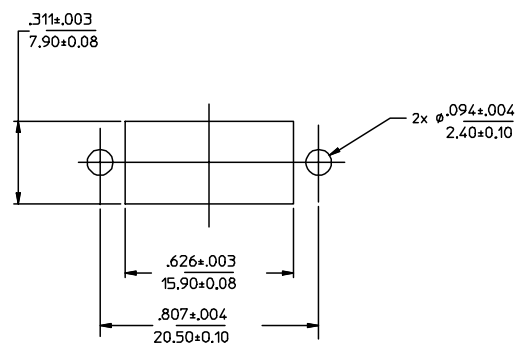
ISO FRONT VIEW



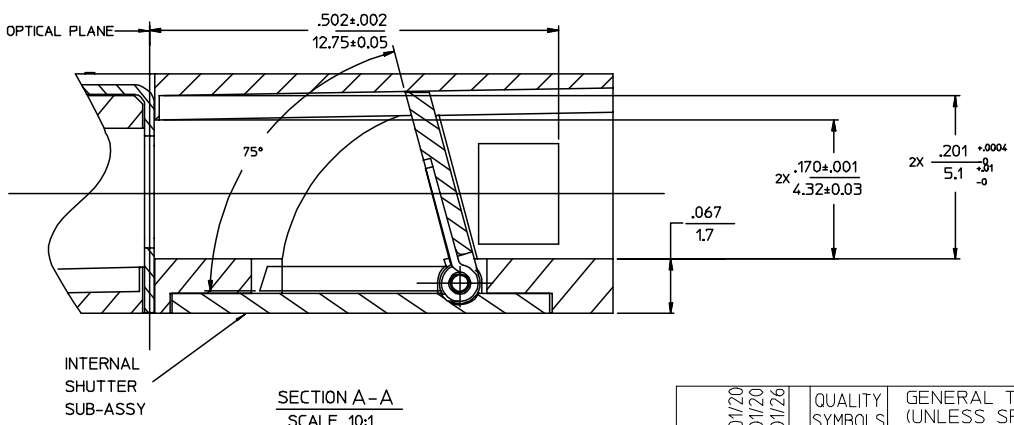
ISO BACK VIEW



SECTION B-B



RECOMMENDED MOUNTING HOLE



SECTION A-A  
SCALE 10:1

- NOTES:
- ALL DIMENSIONS ARE IN  $\frac{\text{INCHES}}{\text{mm}}$ .
  - ALL DIMENSIONS EXCEPT FOR MOUNTING HOLE ARE FOR REFERENCE.

EC NO: MF2005-0417 DRWN: KPEVZNER2005/01/20 CHKD: 2005/01/20 APPR: IGUMIN 2005/01/26	QUALITY SYMBOLS	GENERAL TOLERANCES (UNLESS SPECIFIED)	SCALE 100:10	DESIGN UNITS INCH	THIRD ANGLE PROJECTION	REVISE ON CAD ONLY
	$\nabla .0$ $\nabla C .0$	DIMENSION STYLE IN/MM 4 PLACES ± --- ± 3 PLACES ± 0.13 ± .005 2 PLACES ± 0.38 ± .015 1 PLACE ± --- ± --- ANGULAR ± 1°	TITLE SMC ADAPTER		MATERIAL NO. SEE TABLE	
			DRAWN BY DATE NG 2002.02.26		SHEET NO. 1 OF 1	
	REV	DESCRIPTION	DRAFT WHERE APPLICABLE MUST REMAIN WITHIN DIMENSIONS	CHECKED BY DATE YGB 2002.02.26	APPROVED BY DATE ILG 2002.02.27	DOCUMENT NO. SD-86107-0X00