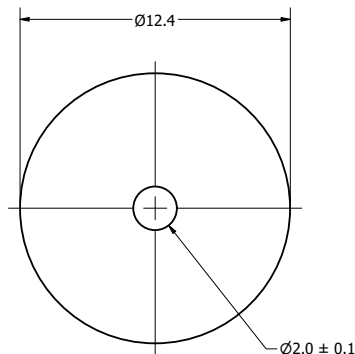
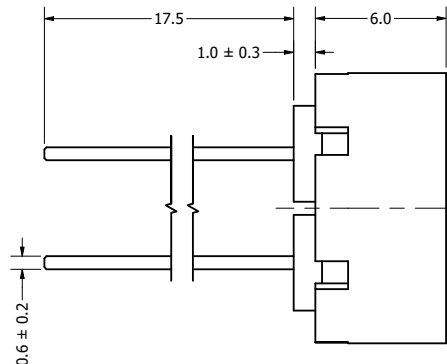


Part Number:	TP124005-2	
	DRAWN CJ	5/2/2019
Description:	Piezo Transducer	
	CHECKED C.H.	5/3/2019
	APPROVED C.E.	5/3/2019
This document contains data proprietary to DB Unlimited. Any use or reproduction, in any form, without prior written permission of DB Unlimited is prohibited. All terms and conditions can be found at www.dbunlimitedco.com		

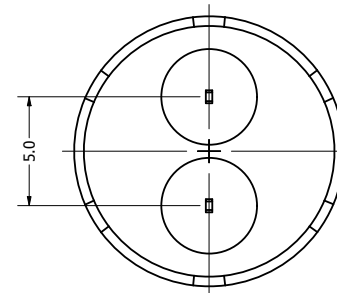
Top View



Side View



Bottom View



Items	Specifications	Conditions
Min. Sound Pressure Level	80	dB (@ 10cm)
Resonant Frequency	2,000	Hz
Rated Voltage	5	V
Voltage Range	1 ~ 30	V
Capacitance	8,000	pF
Max. Rated Current	10	mA
Storage Temperature	-30 ~ +80	°C
Operating Temperature	-20 ~ +70	°C
Connection Method	PC Pins	
Mount Type	Thru Hole	
Housing Material	PBT	
Weight	2.5	g

REVISION HISTORY

REV	DESCRIPTION	DATE	APPROVED
	Released from Engineering	10/21/2013	J.S.
1	Updated drawing template, diameter, SPL, max current, weight, temp	5/3/2019	C.E.

NOTES

- 1) All dimensions are in mm unless otherwise noted
- 2) All tolerances are ± 0.5 mm unless otherwise noted
- 3) All parts meet RoHS
- 4) Subject to change or redrawn without notice