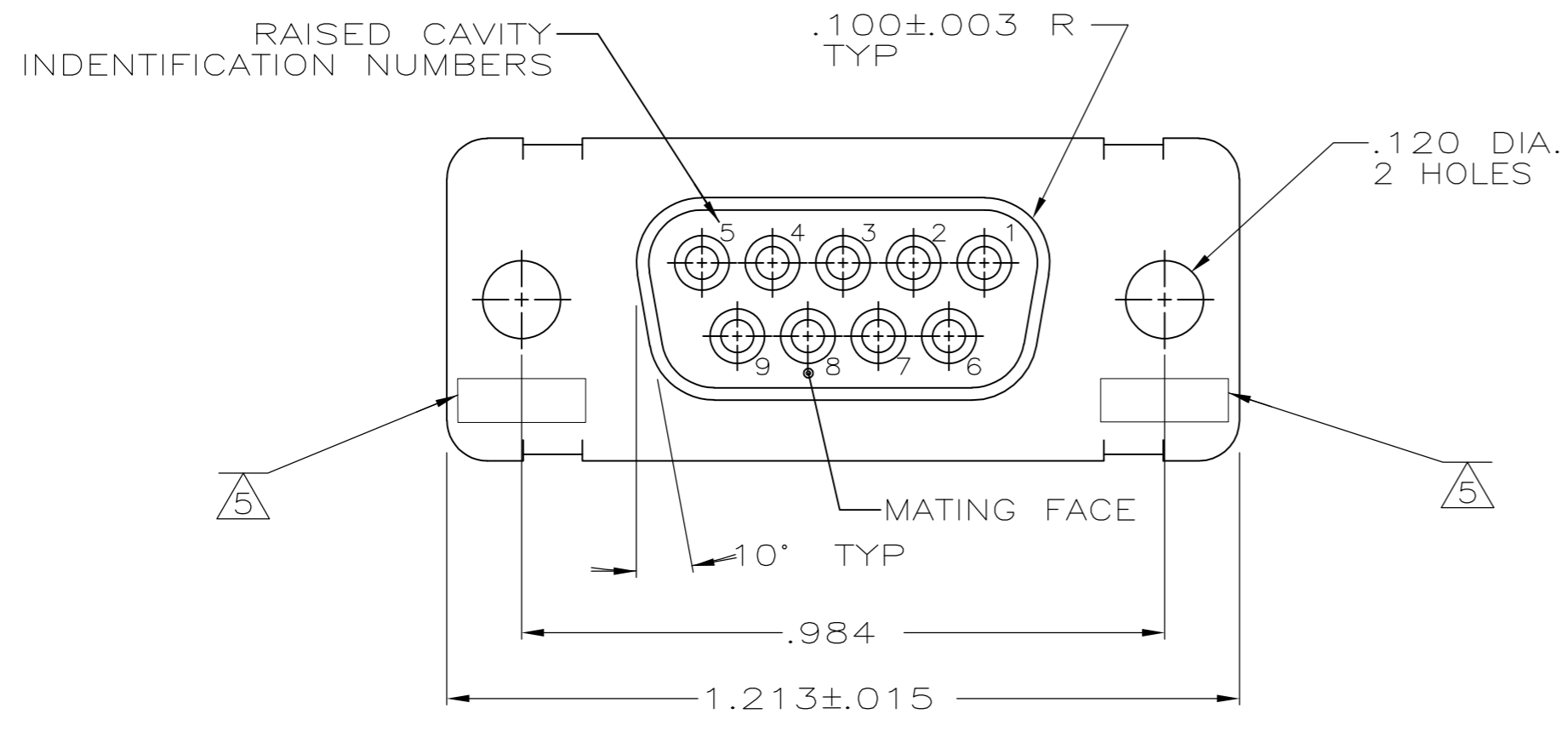
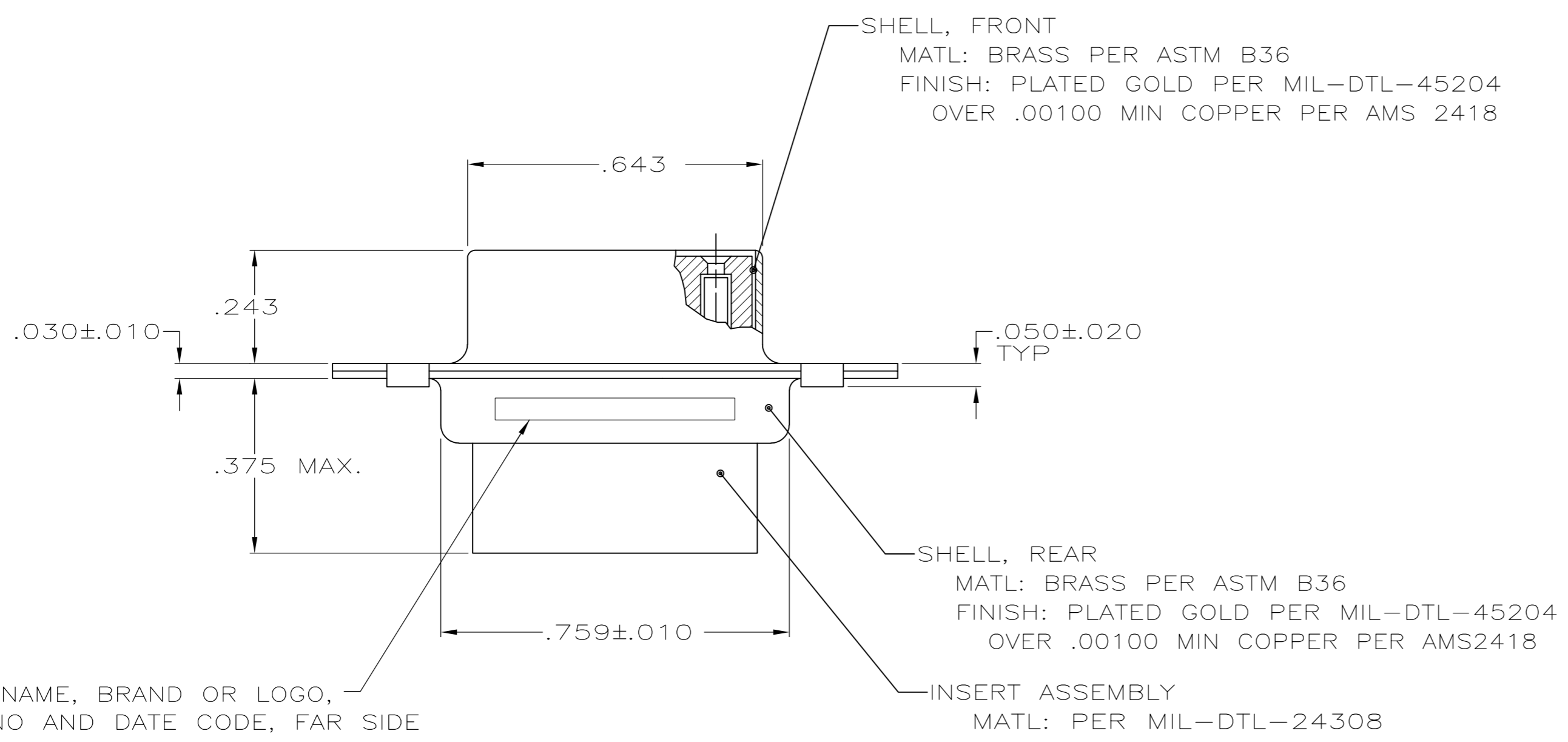


THIS DRAWING IS UNPUBLISHED. RELEASED FOR PUBLICATION  
 © COPYRIGHT - By - ALL RIGHTS RESERVED.

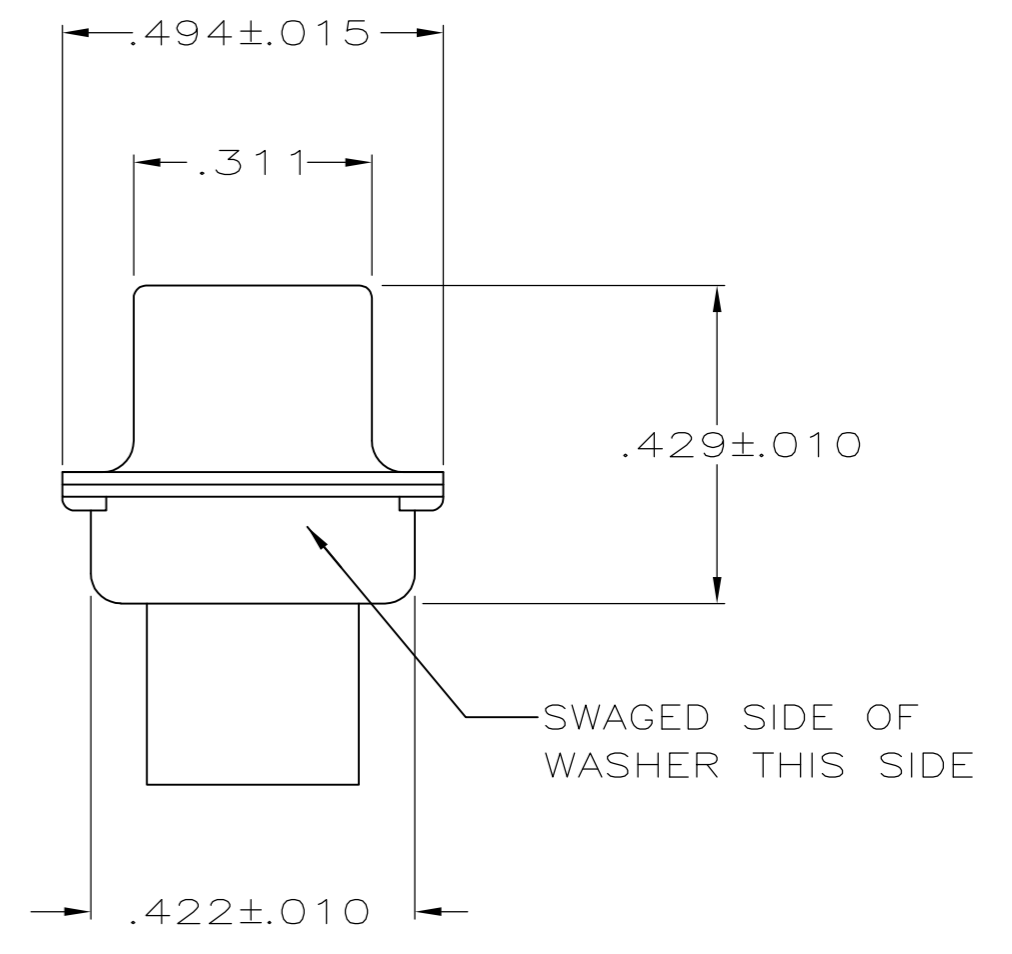
LOC		DIST		REVISIONS			
P	LTR	DESCRIPTION	DATE	DWN	APVD		
F		REVISE PER ECO-15-005911	20MAY15	KG	DM		



1. THIS RECEPTACLE WILL MATE WITH ANY 9 POSN., SIZE 1 PLUG IN THE AMPLIMITE SERIES.
  2. MAXIMUM WIRE INSULATION USED WITH THIS CONNECTOR IS .068 DIA.
  3. BE-CU RETENTION CLIPS ARE INCLUDED IN INSERT.
  4. CONNECTOR SUPPLIED WITHOUT CONTACTS; SHOWN FOR ILLUSTRATION ONLY.
- ⚠ UL/CSA DESIGNATION STAMPED IN THIS AREA.



MFG'S NAME, BRAND OR LOGO, PART NO AND DATE CODE, FAR SIDE  
 CUSTOMER PART NO, NEAR SIDE



1A01-001RHW	1-211613-1
1A01-001RHA	211613-1
CUSTOMER PART NO	PART NO

THIS DRAWING IS A CONTROLLED DOCUMENT.		DWN T. SHUEY 11-17-87	<b>STE</b> TE Connectivity	
DIMENSIONS: INCHES		CHK F.C.BALLEW III 11-30-87		
TOLERANCES UNLESS OTHERWISE SPECIFIED:		APVD F.C.BALLEW III 11-30-87	NAME RECEPTACLE ASSEMBLY, AMPLIMITE 9 POSN, SIZE 1, SERIES 109 NON-MAGNETIC	
0 PLC ± -		PRODUCT SPEC -	SIZE CAGE CODE DRAWING NO RESTRICTED TO	
1 PLC ± -		APPLICATION SPEC -	A2 00779 C-211613	
2 PLC ± -		WEIGHT -	SCALE 4:1 SHEET 1 of 1 REV F	
3 PLC ± .005		CUSTOMER DRAWING		
4 PLC ± -				
ANGLES ± 0'30"				
MATERIAL SEE CALLOUTS		FINISH SEE CALLOUTS		