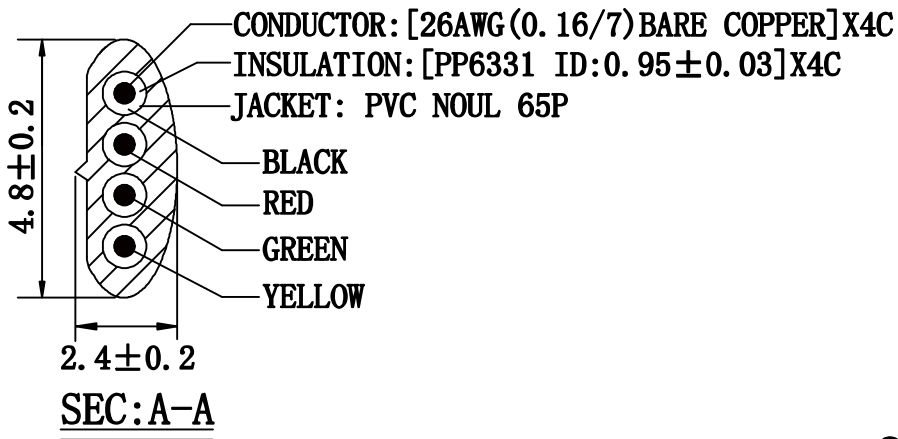


The industry uses (INDUSTRIAL PARTS)  
 PACKAGE: INDIVIDUAL PE BAG.

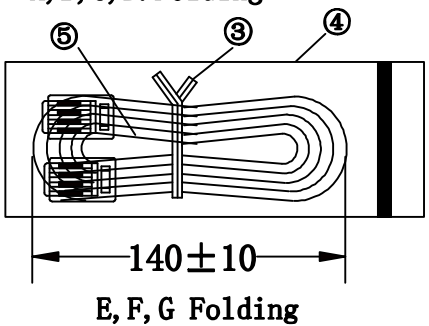
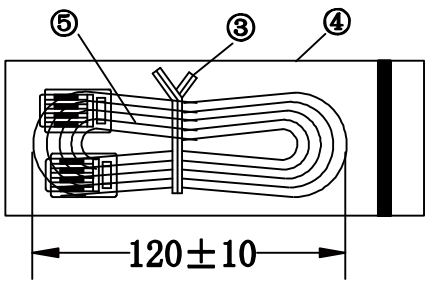
**NOTE FOR PLUG:**  
 MATERIAL: HOUSING-POLYCARBONATE, CLEAR.  
 TERMINAL-0.36 [.014] THICK PHOSPHOR BRONZE.  
 THICK GOLD IN LOCALIZED GOLD PLATE.  
 AREA, GOLD FLASH OVER THE REMAINDER.  
 OVER 2.54um [.000100] THICK NICKEL  
 UNDERPLATE.



P1		P2	
1	BLACK	4	
2	RED	3	
3	GREEN	2	
4	YELLOW	1	

NO	ITEM	DESCRIPTION	Q' TY
①	CABLE		1PCS
②	PLUG	4P4C 50U"	2PCS
③	CABLE TIE	Concrete such as material detail form	1PCS
④	PE BAG		1PCS

PART NO	DRAWING NO	WIRE LENTH "L"	BUYER COLOR	VENDOR COLOR	CUT LENGTH
510-26-4400-BL-0005F	A	1525 ± 20 (5FT)	Black	BLACK LIGHT	1525-1535MM
510-26-4400-BL-0007F	B	2135 ± 30 (7FT)	Black	BLACK LIGHT	2135-2145MM
510-26-4400-BL-0010F	C	3050 ± 60 (10FT)	Black	BLACK LIGHT	3050-3060MM
510-26-4400-BL-0012F	D	3660 ± 60 (12FT)	Black	BLACK LIGHT	3660-3670MM
510-26-4400-BL-0014F	E	4270 ± 60 (14FT)	Black	BLACK LIGHT	4270-4280MM
510-26-4400-BL-0025F	F	7625 ± 100 (25FT)	Black	BLACK LIGHT	7625-7635MM
510-26-4400-BL-0050F	G	15250 ± 150 (50FT)	Black	BLACK LIGHT	15250-15260



REVISED	VERSION	BASIS	CONTENTS
12-02-20	A/0	T0210A	NEW DRAWING

CnC Tech, LLC	
Industrial Cable and Connector Technology	
IDRAWING NO: 671-308	CUSTOMER: L-671
ITEM NO: 4C LINE CORD P+P PLUG	UNIT: mm
DATE: 2012-02-20	ISSUE: (A/0)
DRAWN: QE:	QA:
SALES DEPT:	SALES MANAGER: